



Desktop Personal Computer Floor Stand

User's Guide

OPTIONS
by IBM

Note: If you are using this product in the United States, Canada, or Puerto Rico, be sure to read the information under “Product Warranty” on page 2-1 before using this information and the product it supports.

For all other countries, the warranty terms and conditions applicable in the country of purchase are available from IBM or your reseller.

First Edition (September 1997)

The following paragraph does not apply to the United Kingdom or any country where such provisions are inconsistent with local law: INTERNATIONAL BUSINESS MACHINES CORPORATION PROVIDES THIS PUBLICATION “AS IS” WITHOUT WARRANTY OF ANY KIND, EITHER EXPRESS OR IMPLIED, INCLUDING, BUT NOT LIMITED TO, THE IMPLIED WARRANTIES OF MERCHANTABILITY OR FITNESS FOR A PARTICULAR PURPOSE. Some states do not allow disclaimer of express or implied warranties in certain transactions, therefore, this statement may not apply to you.

This publication could include technical inaccuracies or typographical errors. Changes are periodically made to the information herein; these changes will be incorporated in new editions of the publication. IBM may make improvements and/or changes in the product(s) and/or the program(s) described in this publication at any time.

This publication was developed for products and services offered in the United States of America. IBM may not offer the products, services, or features discussed in this document in other countries, and the information is subject to change without notice. Consult your local IBM representative for information on the products, services, and features available in your area.

Requests for technical information about IBM products should be made to your IBM reseller or IBM marketing representative.

© Copyright International Business Machines Corporation 1997. All rights reserved.

Note to U.S. Government Users — Documentation related to restricted rights — Use, duplication or disclosure is subject to restrictions set forth in GSA ADP Schedule Contract with IBM Corp.

Contents

Safety: Read First iv

About This Book v

Part 1: Quick Installation Guide 1-1

Part 2: Warranty and Notices 2-1

Warranty and Notices 2-1

Product Warranty 2-1

Notices 2-3

Trademarks 2-3

Part 3: Appendixes 3-1

Appendix A. Safety Information 3-1

Appendix B. Help and Service Information 3-11

Safety: Read First



CAUTION: Read the Safety Information in Part 3, Appendix A, page 3-1 before installing this product.

DO NOT print this page—replace with World Wide 'Read First' translations.

About This Book

This book contains user information for the Desktop Personal Computer Floor Stand, and includes the following parts:

- Part one contains installation instructions in the following languages:
 - English
 - German
 - French
 - Spanish
 - Japanese
 - Italian
 - Brazilian Portuguese
- Part two contains product warranty and notices.
- Part three contains safety information, help and service information, and trademarks.

Note: The illustrations in this manual might be slightly different from your hardware.

Part 1: Quick Installation Guide

Desktop Personal Computer Floor Stand Installation

You can use the Desktop Personal Computer Floor Stand to turn your desktop computer into a vertical unit which can be placed on the floor. This option is designed for use with the following IBM 300PL desktop computers:

IBM PC 6562-100	IBM PC 6562-420
IBM PC 6562-200	IBM PC 6562-440
IBM PC 6562-320	IBM PC 6562-460
IBM PC 6562-340	IBM PC 6562-500
IBM PC 6562-360	IBM PC 6562-840
IBM PC 6562-380	IBM PC 6562-860
IBM PC 6562-400	

In addition to this book, the Desktop Personal Computer Floor Stand option includes:

- A floor stand
- A rear cover
- A bottom cover

Contact your place of purchase if an item is missing or damaged. Be sure to retain your proof of purchase. It might be required to receive warranty service.

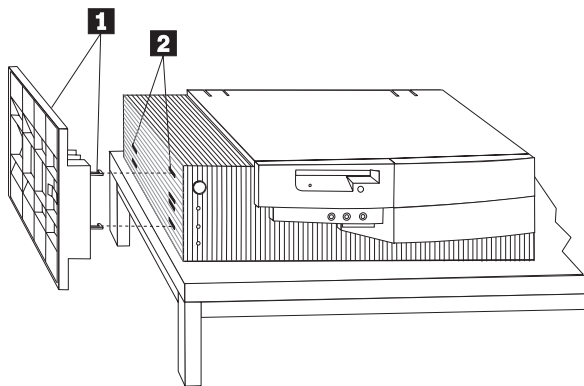
Installing the Desktop Personal Computer Floor Stand and Accessories

Attention

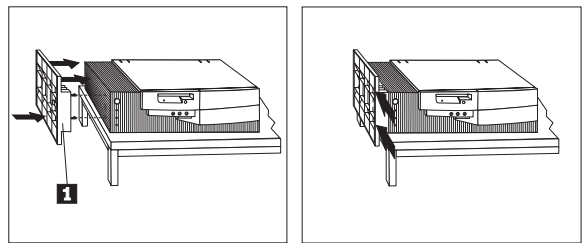
To avoid possible injury while moving or lifting the computer, ask another person to help you if the computer is too heavy for you to lift safely.

1. Turn off all attached devices. Turn off the computer. Unplug the signal cables and power cords from the computer.
2. With the front of your desktop computer facing you, move the computer to the edge of your work surface so that the left side of the computer is easily accessible.
3. Install the floor stand:

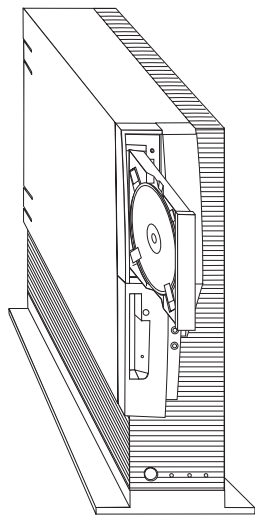
- a. Align the hooks on the floor stand **1** with the outer vents **2** in the left side of the computer cover. Be sure the tab hooks are pointing up.



- b. Push the floor stand **1** firmly into the computer, inserting the tabs fully into the slots. Slide the floor stand toward the back of the computer until the release tab “clicks” into place.



- c. Carefully turn the computer so that it sits vertically on the floor stand.

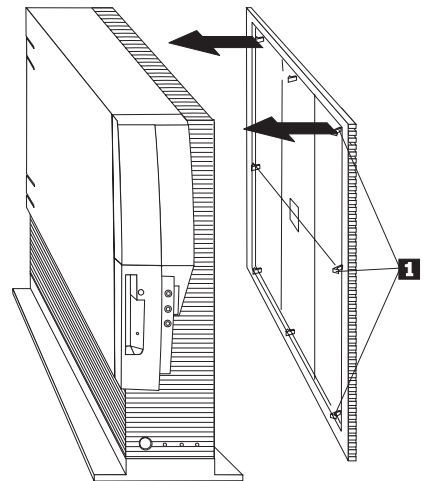


Note: When using your computer with the floor stand, secure CDs in the CD-ROM drive by extending the clips on the tray so the CD does not fall out. The above illustration shows a CD installed in the loading tray of the CD-ROM drive, with the clips extended.

For more information on inserting, securing, and unloading removable media, see *Using Your Personal Computer*, the manual supplied with your system.

4. Install the bottom cover.

- a. Align the hooks on the bottom cover **1** with the floor slots on the bottom of the computer.

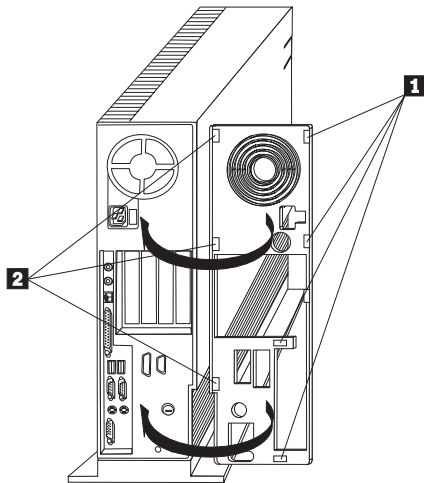


- b. Place the hooks in the slots and push the top of the bottom cover towards the top of the upright computer, until the tabs “click” into their slots.

5. Install the rear cover.

- a. Align the hooks on the side of the rear cover **2** with the slots on the back of the computer.
- b. Peel the protective covering from the Velcro strips **1**.

- c. Pivot the rear cover until the Velcro fasteners adhere to the cover.

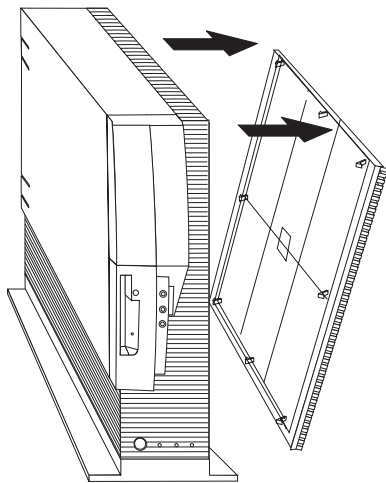


6. Reconnect the signal cables for the attached devices.
7. Reconnect the power cords for the computer and all attached devices.

Removing the Desktop Personal Computer Floor Stand

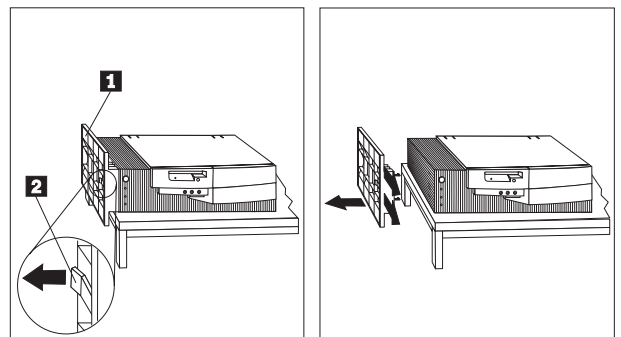
You may want to remove the floor stand, bottom cover, and rear cover if you want to remove the computer cover to install an option or move the computer to another location. Here are the instructions for removal:

1. Turn off all attached devices. Turn off the computer.
2. Unplug the power cords for the computer and all attached devices. Disconnect the signal cables for the attached devices from the computer.
3. Remove the bottom cover.
 - a. Pull the top of the bottom cover away from the computer.
 - b. Lift up on the cover to disengage the hooks from the slots.



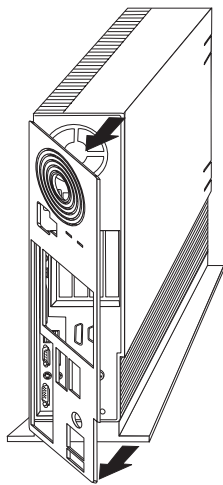
4. Remove the floor stand.

- a. Place the computer on a flat work surface with the side on which the floor stand is attached extending over the left edge of the work surface, and the front of the computer facing toward you.
- b. Pull the release tab **2** out and slide the stand **1** toward the front of the computer.



- c. Pull the stand away from the computer to clear the tabs from the vents. Be sure to hold on to the floor stand to avoid dropping it.

5. Remove the rear cover.



- a. Pull the bottom of the rear cover until the Velcro separates.
 - b. Pull the hooks out of their slots.
6. Reconnect the signal cables to the attached devices.
 7. Reconnect the power cords for the computer and all attached devices.

Quick Installation (German)

Desktop Personal Computer Floor Stand Installation

You can use the Desktop Personal Computer Floor Stand to turn your desktop computer into a vertical unit which can be placed on the floor. This option is designed for use with the following IBM 300PL desktop computers:

IBM PC 6562-100	IBM PC 6562-420
IBM PC 6562-200	IBM PC 6562-440
IBM PC 6562-320	IBM PC 6562-460
IBM PC 6562-340	IBM PC 6562-500
IBM PC 6562-360	IBM PC 6562-840
IBM PC 6562-380	IBM PC 6562-860
IBM PC 6562-400	

In addition to this book, the Desktop Personal Computer Floor Stand option includes:

- A floor stand
- A rear cover
- A bottom cover

Contact your place of purchase if an item is missing or damaged. Be sure to retain your proof of purchase. It might be required to receive warranty service.

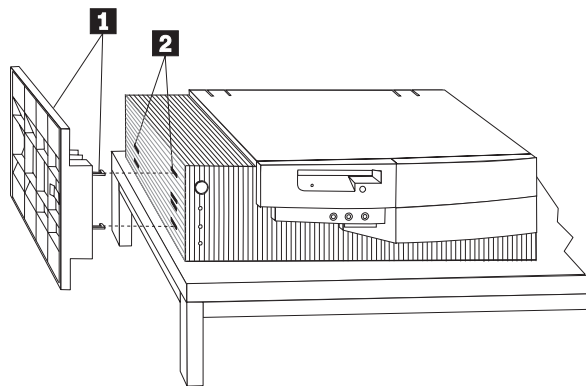
Installing the Desktop Personal Computer Floor Stand and Accessories

Attention

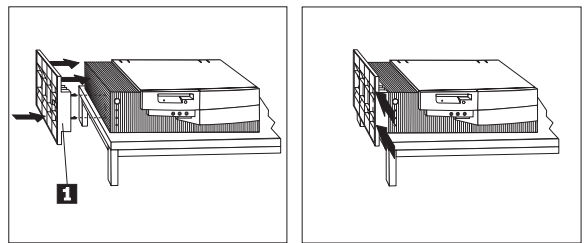
To avoid possible injury while moving or lifting the computer, ask another person to help you if the computer is too heavy for you to lift safely.

1. Turn off all attached devices. Turn off the computer. Unplug the signal cables and power cords from the computer.
2. With the front of your desktop computer facing you, move the computer to the edge of your work surface so that the left side of the computer is easily accessible.
3. Install the floor stand:

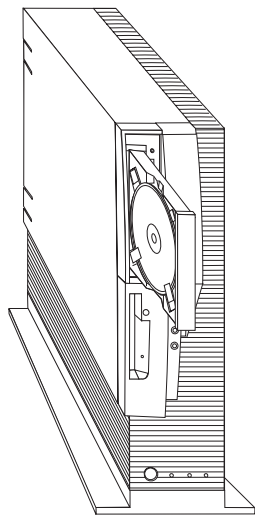
- a. Align the hooks on the floor stand **1** with the outer vents **2** in the left side of the computer cover. Be sure the tab hooks are pointing up.



- b. Push the floor stand **1** firmly into the computer, inserting the tabs fully into the slots. Slide the floor stand toward the back of the computer until the release tab “clicks” into place.



- c. Carefully turn the computer so that it sits vertically on the floor stand.

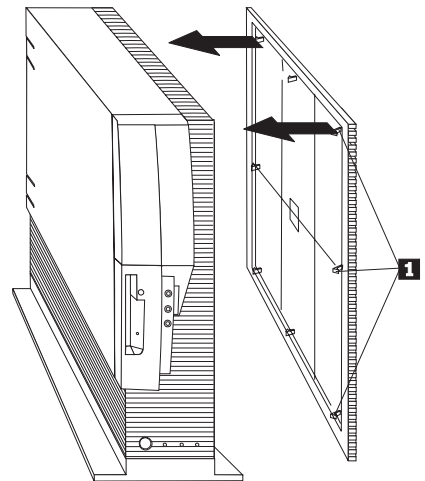


Note: When using your computer with the floor stand, secure CDs in the CD-ROM drive by extending the clips on the tray so the CD does not fall out. The above illustration shows a CD installed in the loading tray of the CD-ROM drive, with the clips extended.

For more information on inserting, securing, and unloading removable media, see *Using Your Personal Computer*, the manual supplied with your system.

4. Install the bottom cover.

- a. Align the hooks on the bottom cover **1** with the floor slots on the bottom of the computer.

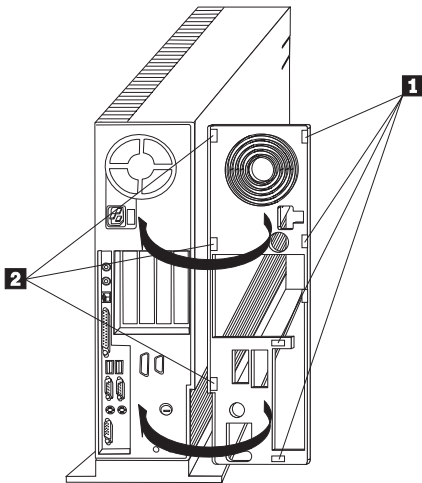


- b. Place the hooks in the slots and push the top of the bottom cover towards the top of the upright computer, until the tabs “click” into their slots.

5. Install the rear cover.

- a. Align the hooks on the side of the rear cover **2** with the slots on the back of the computer.
- b. Peel the protective covering from the Velcro strips **1**.

- c. Pivot the rear cover until the Velcro fasteners adhere to the cover.

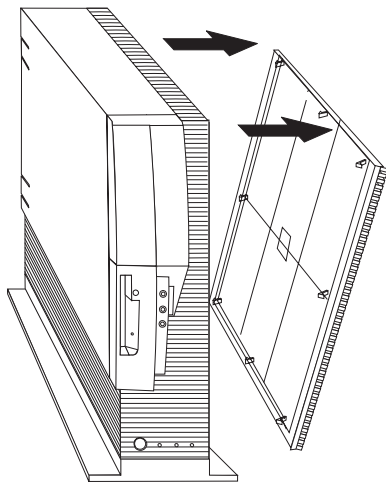


6. Reconnect the signal cables for the attached devices.
7. Reconnect the power cords for the computer and all attached devices.

Removing the Desktop Personal Computer Floor Stand

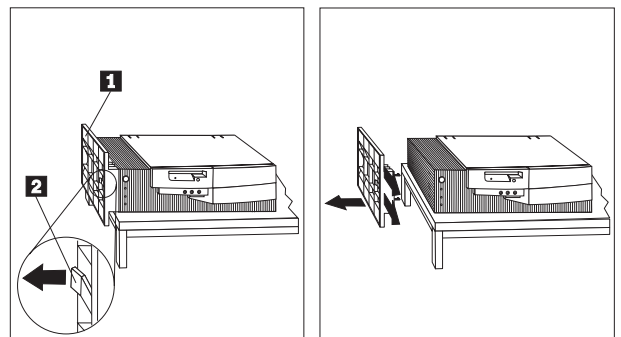
You may want to remove the floor stand, bottom cover, and rear cover if you want to remove the computer cover to install an option or move the computer to another location. Here are the instructions for removal:

1. Turn off all attached devices. Turn off the computer.
2. Unplug the power cords for the computer and all attached devices. Disconnect the signal cables for the attached devices from the computer.
3. Remove the bottom cover.
 - a. Pull the top of the bottom cover away from the computer.
 - b. Lift up on the cover to disengage the hooks from the slots.



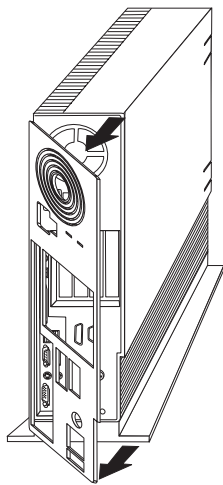
4. Remove the floor stand.

- a. Place the computer on a flat work surface with the side on which the floor stand is attached extending over the left edge of the work surface, and the front of the computer facing toward you.
- b. Pull the release tab **2** out and slide the stand **1** toward the front of the computer.



- c. Pull the stand away from the computer to clear the tabs from the vents. Be sure to hold on to the floor stand to avoid dropping it.

5. Remove the rear cover.



- a. Pull the bottom of the rear cover until the Velcro separates.
 - b. Pull the hooks out of their slots.
6. Reconnect the signal cables to the attached devices.
 7. Reconnect the power cords for the computer and all attached devices.

Product Service and Warranty Information

For technical support, support hours, and warranty terms and conditions, see the enclosed inserts, or contact your IBM reseller or IBM marketing representative.

Quick Installation (French)

Desktop Personal Computer Floor Stand Installation

You can use the Desktop Personal Computer Floor Stand to turn your desktop computer into a vertical unit which can be placed on the floor. This option is designed for use with the following IBM 300PL desktop computers:

IBM PC 6562-100	IBM PC 6562-420
IBM PC 6562-200	IBM PC 6562-440
IBM PC 6562-320	IBM PC 6562-460
IBM PC 6562-340	IBM PC 6562-500
IBM PC 6562-360	IBM PC 6562-840
IBM PC 6562-380	IBM PC 6562-860
IBM PC 6562-400	

In addition to this book, the Desktop Personal Computer Floor Stand option includes:

- A floor stand
- A rear cover
- A bottom cover

Contact your place of purchase if an item is missing or damaged. Be sure to retain your proof of purchase. It might be required to receive warranty service.

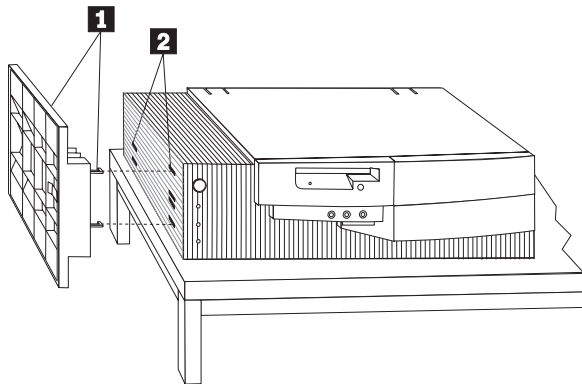
Installing the Desktop Personal Computer Floor Stand and Accessories

Attention

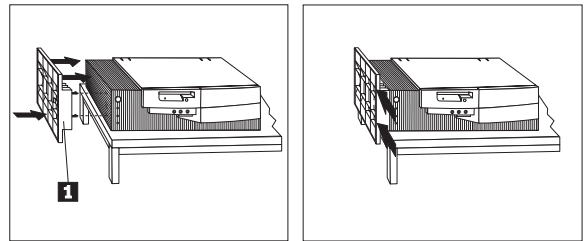
To avoid possible injury while moving or lifting the computer, ask another person to help you if the computer is too heavy for you to lift safely.

1. Turn off all attached devices. Turn off the computer. Unplug the signal cables and power cords from the computer.
2. With the front of your desktop computer facing you, move the computer to the edge of your work surface so that the left side of the computer is easily accessible.
3. Install the floor stand:

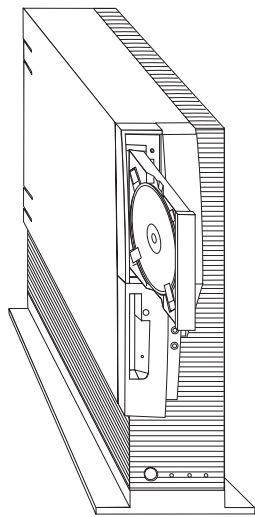
- a. Align the hooks on the floor stand **1** with the outer vents **2** in the left side of the computer cover. Be sure the tab hooks are pointing up.



- b. Push the floor stand **1** firmly into the computer, inserting the tabs fully into the slots. Slide the floor stand toward the back of the computer until the release tab “clicks” into place.



- c. Carefully turn the computer so that it sits vertically on the floor stand.

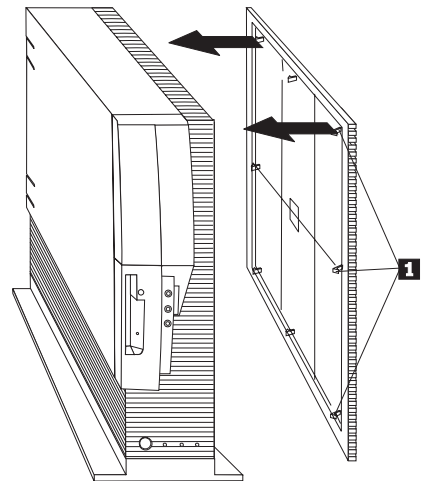


Note: When using your computer with the floor stand, secure CDs in the CD-ROM drive by extending the clips on the tray so the CD does not fall out. The above illustration shows a CD installed in the loading tray of the CD-ROM drive, with the clips extended.

For more information on inserting, securing, and unloading removable media, see *Using Your Personal Computer*, the manual supplied with your system.

4. Install the bottom cover.

- a. Align the hooks on the bottom cover **1** with the floor slots on the bottom of the computer.

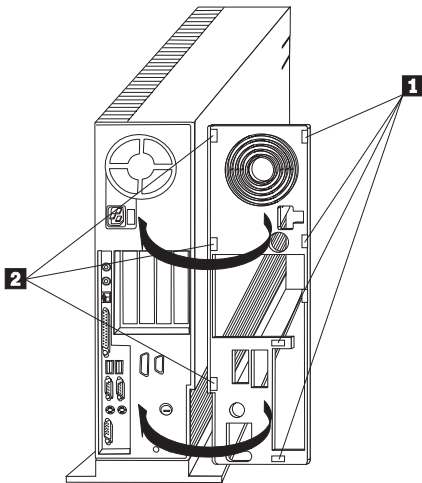


- b. Place the hooks in the slots and push the top of the bottom cover towards the top of the upright computer, until the tabs “click” into their slots.

5. Install the rear cover.

- a. Align the hooks on the side of the rear cover **2** with the slots on the back of the computer.
- b. Peel the protective covering from the Velcro strips **1**.

- c. Pivot the rear cover until the Velcro fasteners adhere to the cover.

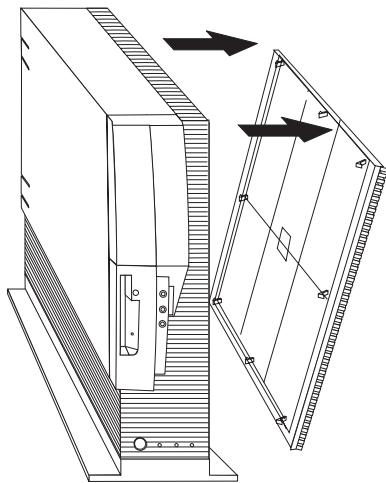


- 6. Reconnect the signal cables for the attached devices.
- 7. Reconnect the power cords for the computer and all attached devices.

Removing the Desktop Personal Computer Floor Stand

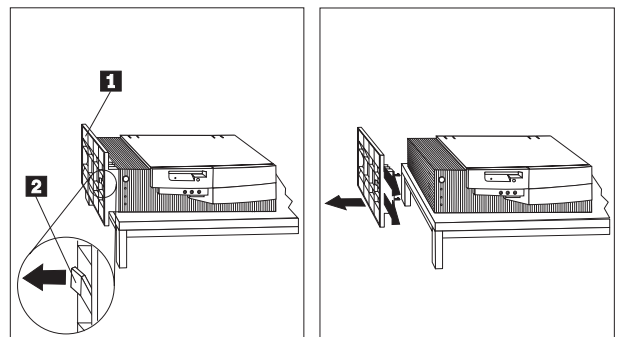
You may want to remove the floor stand, bottom cover, and rear cover if you want to remove the computer cover to install an option or move the computer to another location. Here are the instructions for removal:

- 1. Turn off all attached devices. Turn off the computer.
- 2. Unplug the power cords for the computer and all attached devices. Disconnect the signal cables for the attached devices from the computer.
- 3. Remove the bottom cover.
 - a. Pull the top of the bottom cover away from the computer.
 - b. Lift up on the cover to disengage the hooks from the slots.



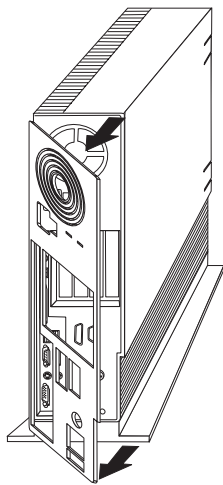
4. Remove the floor stand.

- a. Place the computer on a flat work surface with the side on which the floor stand is attached extending over the left edge of the work surface, and the front of the computer facing toward you.
- b. Pull the release tab **2** out and slide the stand **1** toward the front of the computer.



- c. Pull the stand away from the computer to clear the tabs from the vents. Be sure to hold on to the floor stand to avoid dropping it.

5. Remove the rear cover.



- a. Pull the bottom of the rear cover until the Velcro separates.
 - b. Pull the hooks out of their slots.
6. Reconnect the signal cables to the attached devices.
 7. Reconnect the power cords for the computer and all attached devices.

Product Service and Warranty Information

For technical support, support hours, and warranty terms and conditions, see the enclosed inserts, or contact your IBM reseller or IBM marketing representative.

Quick Installation (Spanish)

Desktop Personal Computer Floor Stand Installation

You can use the Desktop Personal Computer Floor Stand to turn your desktop computer into a vertical unit which can be placed on the floor. This option is designed for use with the following IBM 300PL desktop computers:

IBM PC 6562-100	IBM PC 6562-420
IBM PC 6562-200	IBM PC 6562-440
IBM PC 6562-320	IBM PC 6562-460
IBM PC 6562-340	IBM PC 6562-500
IBM PC 6562-360	IBM PC 6562-840
IBM PC 6562-380	IBM PC 6562-860
IBM PC 6562-400	

In addition to this book, the Desktop Personal Computer Floor Stand option includes:

- A floor stand
- A rear cover
- A bottom cover

Contact your place of purchase if an item is missing or damaged. Be sure to retain your proof of purchase. It might be required to receive warranty service.

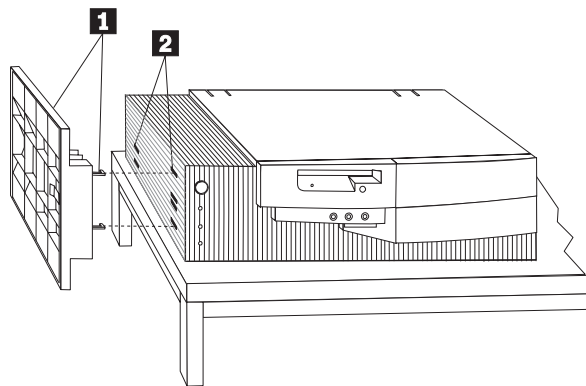
Installing the Desktop Personal Computer Floor Stand and Accessories

Attention

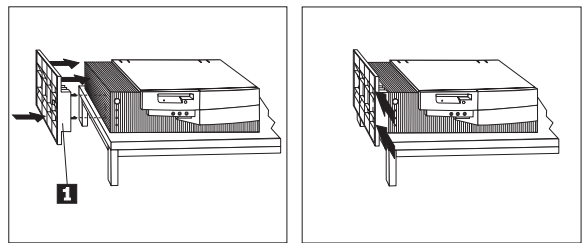
To avoid possible injury while moving or lifting the computer, ask another person to help you if the computer is too heavy for you to lift safely.

1. Turn off all attached devices. Turn off the computer. Unplug the signal cables and power cords from the computer.
2. With the front of your desktop computer facing you, move the computer to the edge of your work surface so that the left side of the computer is easily accessible.
3. Install the floor stand:

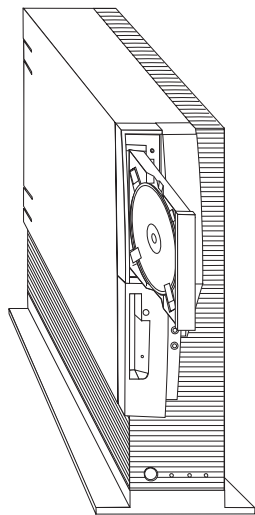
- a. Align the hooks on the floor stand **1** with the outer vents **2** in the left side of the computer cover. Be sure the tab hooks are pointing up.



- b. Push the floor stand **1** firmly into the computer, inserting the tabs fully into the slots. Slide the floor stand toward the back of the computer until the release tab “clicks” into place.



- c. Carefully turn the computer so that it sits vertically on the floor stand.

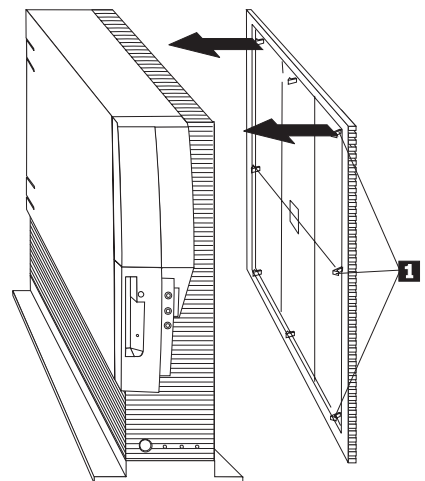


Note: When using your computer with the floor stand, secure CDs in the CD-ROM drive by extending the clips on the tray so the CD does not fall out. The above illustration shows a CD installed in the loading tray of the CD-ROM drive, with the clips extended.

For more information on inserting, securing, and unloading removable media, see *Using Your Personal Computer*, the manual supplied with your system.

4. Install the bottom cover.

- a. Align the hooks on the bottom cover **1** with the floor slots on the bottom of the computer.

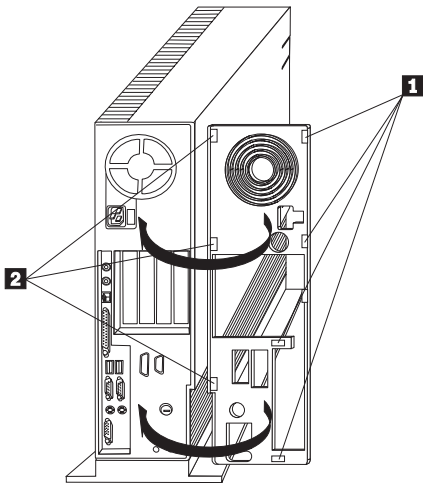


- b. Place the hooks in the slots and push the top of the bottom cover towards the top of the upright computer, until the tabs “click” into their slots.

5. Install the rear cover.

- a. Align the hooks on the side of the rear cover **2** with the slots on the back of the computer.
- b. Peel the protective covering from the Velcro strips **1**.

- c. Pivot the rear cover until the Velcro fasteners adhere to the cover.

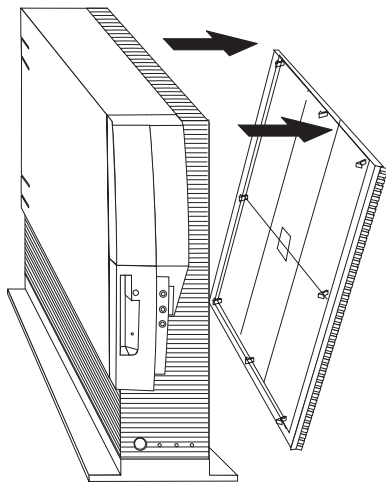


- 6. Reconnect the signal cables for the attached devices.
- 7. Reconnect the power cords for the computer and all attached devices.

Removing the Desktop Personal Computer Floor Stand

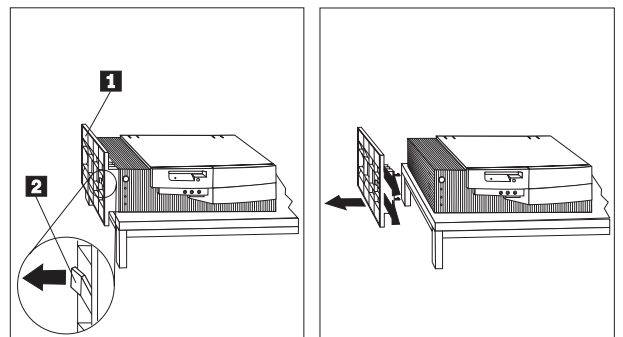
You may want to remove the floor stand, bottom cover, and rear cover if you want to remove the computer cover to install an option or move the computer to another location. Here are the instructions for removal:

- 1. Turn off all attached devices. Turn off the computer.
- 2. Unplug the power cords for the computer and all attached devices. Disconnect the signal cables for the attached devices from the computer.
- 3. Remove the bottom cover.
 - a. Pull the top of the bottom cover away from the computer.
 - b. Lift up on the cover to disengage the hooks from the slots.



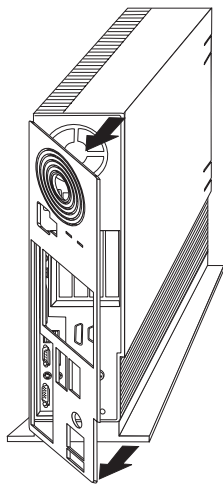
4. Remove the floor stand.

- a. Place the computer on a flat work surface with the side on which the floor stand is attached extending over the left edge of the work surface, and the front of the computer facing toward you.
- b. Pull the release tab **2** out and slide the stand **1** toward the front of the computer.



- c. Pull the stand away from the computer to clear the tabs from the vents. Be sure to hold on to the floor stand to avoid dropping it.

5. Remove the rear cover.



- a. Pull the bottom of the rear cover until the Velcro separates.
 - b. Pull the hooks out of their slots.
6. Reconnect the signal cables to the attached devices.
 7. Reconnect the power cords for the computer and all attached devices.

Product Service and Warranty Information

For technical support, support hours, and warranty terms and conditions, see the enclosed inserts, or contact your IBM reseller or IBM marketing representative.

Quick Installation (Japanese)

Desktop Personal Computer Floor Stand Installation

You can use the Desktop Personal Computer Floor Stand to turn your desktop computer into a vertical unit which can be placed on the floor. This option is designed for use with the following IBM 300PL desktop computers:

IBM PC 6562-100	IBM PC 6562-420
IBM PC 6562-200	IBM PC 6562-440
IBM PC 6562-320	IBM PC 6562-460
IBM PC 6562-340	IBM PC 6562-500
IBM PC 6562-360	IBM PC 6562-840
IBM PC 6562-380	IBM PC 6562-860
IBM PC 6562-400	

In addition to this book, the Desktop Personal Computer Floor Stand option includes:

- A floor stand
- A rear cover
- A bottom cover

Contact your place of purchase if an item is missing or damaged. Be sure to retain your proof of purchase. It might be required to receive warranty service.

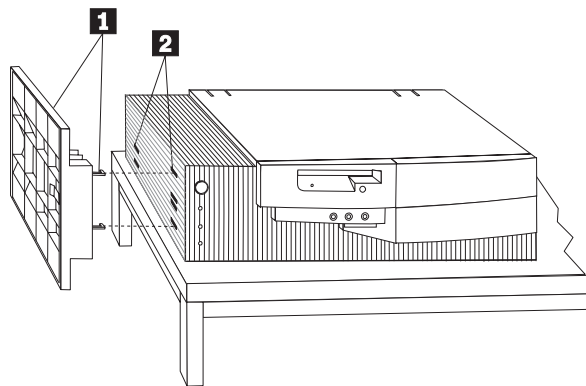
Installing the Desktop Personal Computer Floor Stand and Accessories

Attention

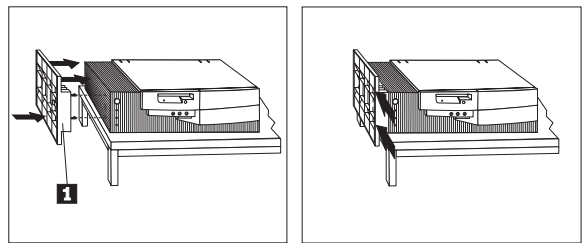
To avoid possible injury while moving or lifting the computer, ask another person to help you if the computer is too heavy for you to lift safely.

1. Turn off all attached devices. Turn off the computer. Unplug the signal cables and power cords from the computer.
2. With the front of your desktop computer facing you, move the computer to the edge of your work surface so that the left side of the computer is easily accessible.
3. Install the floor stand:

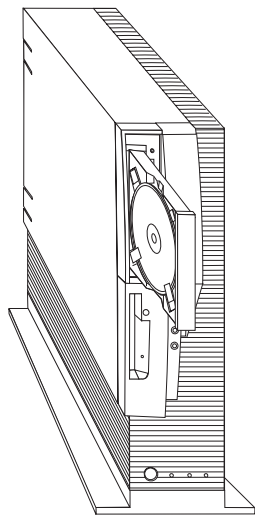
- a. Align the hooks on the floor stand **1** with the outer vents **2** in the left side of the computer cover. Be sure the tab hooks are pointing up.



- b. Push the floor stand **1** firmly into the computer, inserting the tabs fully into the slots. Slide the floor stand toward the back of the computer until the release tab “clicks” into place.



- c. Carefully turn the computer so that it sits vertically on the floor stand.

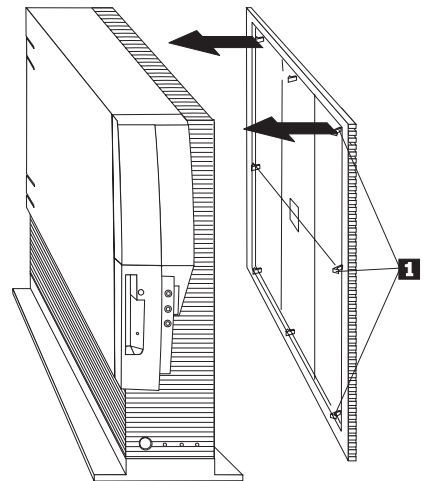


Note: When using your computer with the floor stand, secure CDs in the CD-ROM drive by extending the clips on the tray so the CD does not fall out. The above illustration shows a CD installed in the loading tray of the CD-ROM drive, with the clips extended.

For more information on inserting, securing, and unloading removable media, see *Using Your Personal Computer*, the manual supplied with your system.

4. Install the bottom cover.

- a. Align the hooks on the bottom cover **1** with the floor slots on the bottom of the computer.

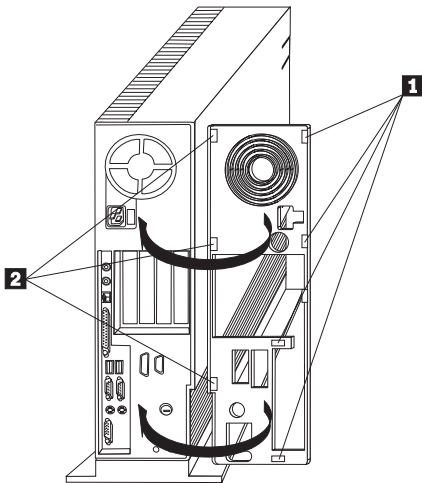


- b. Place the hooks in the slots and push the top of the bottom cover towards the top of the upright computer, until the tabs “click” into their slots.

5. Install the rear cover.

- a. Align the hooks on the side of the rear cover **2** with the slots on the back of the computer.
- b. Peel the protective covering from the Velcro strips **1**.

- c. Pivot the rear cover until the Velcro fasteners adhere to the cover.

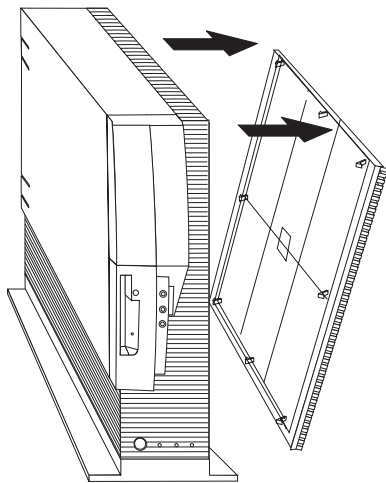


- 6. Reconnect the signal cables for the attached devices.
- 7. Reconnect the power cords for the computer and all attached devices.

Removing the Desktop Personal Computer Floor Stand

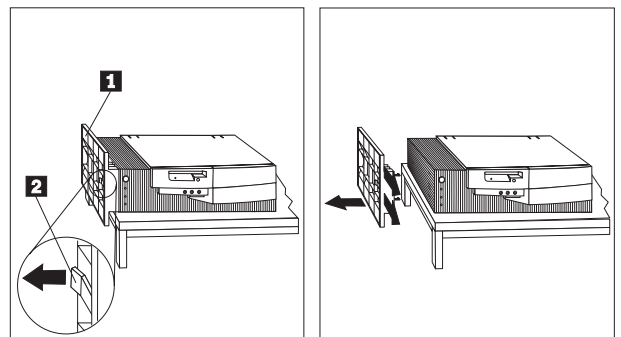
You may want to remove the floor stand, bottom cover, and rear cover if you want to remove the computer cover to install an option or move the computer to another location. Here are the instructions for removal:

- 1. Turn off all attached devices. Turn off the computer.
- 2. Unplug the power cords for the computer and all attached devices. Disconnect the signal cables for the attached devices from the computer.
- 3. Remove the bottom cover.
 - a. Pull the top of the bottom cover away from the computer.
 - b. Lift up on the cover to disengage the hooks from the slots.



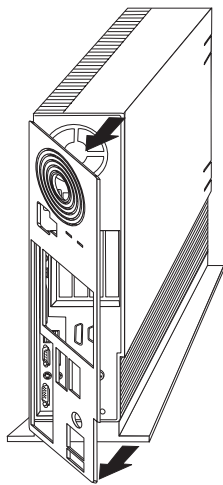
4. Remove the floor stand.

- a. Place the computer on a flat work surface with the side on which the floor stand is attached extending over the left edge of the work surface, and the front of the computer facing toward you.
- b. Pull the release tab **2** out and slide the stand **1** toward the front of the computer.



- c. Pull the stand away from the computer to clear the tabs from the vents. Be sure to hold on to the floor stand to avoid dropping it.

5. Remove the rear cover.



- a. Pull the bottom of the rear cover until the Velcro separates.
 - b. Pull the hooks out of their slots.
6. Reconnect the signal cables to the attached devices.
 7. Reconnect the power cords for the computer and all attached devices.

Product Service and Warranty Information

For technical support, support hours, and warranty terms and conditions, see the enclosed inserts, or contact your IBM reseller or IBM marketing representative.

Quick Installation (Italian)

Desktop Personal Computer Floor Stand Installation

You can use the Desktop Personal Computer Floor Stand to turn your desktop computer into a vertical unit which can be placed on the floor. This option is designed for use with the following IBM 300PL desktop computers:

IBM PC 6562-100	IBM PC 6562-420
IBM PC 6562-200	IBM PC 6562-440
IBM PC 6562-320	IBM PC 6562-460
IBM PC 6562-340	IBM PC 6562-500
IBM PC 6562-360	IBM PC 6562-840
IBM PC 6562-380	IBM PC 6562-860
IBM PC 6562-400	

In addition to this book, the Desktop Personal Computer Floor Stand option includes:

- A floor stand
- A rear cover
- A bottom cover

Contact your place of purchase if an item is missing or damaged. Be sure to retain your proof of purchase. It might be required to receive warranty service.

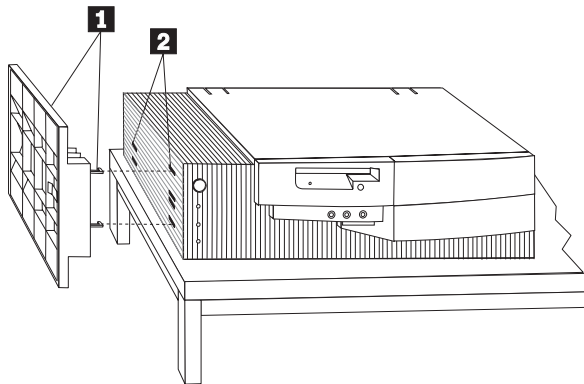
Installing the Desktop Personal Computer Floor Stand and Accessories

Attention

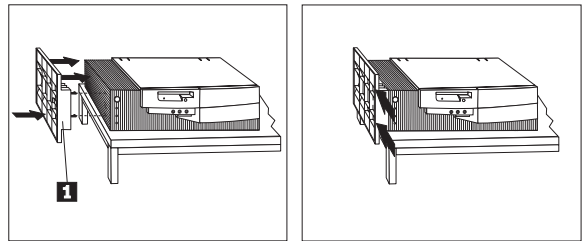
To avoid possible injury while moving or lifting the computer, ask another person to help you if the computer is too heavy for you to lift safely.

1. Turn off all attached devices. Turn off the computer. Unplug the signal cables and power cords from the computer.
2. With the front of your desktop computer facing you, move the computer to the edge of your work surface so that the left side of the computer is easily accessible.
3. Install the floor stand:

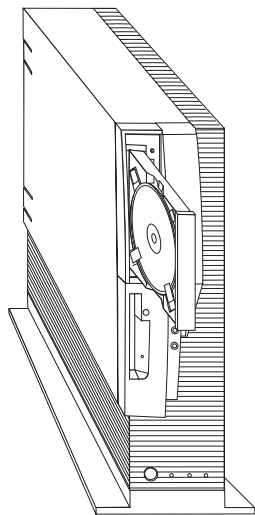
- a. Align the hooks on the floor stand **1** with the outer vents **2** in the left side of the computer cover. Be sure the tab hooks are pointing up.



- b. Push the floor stand **1** firmly into the computer, inserting the tabs fully into the slots. Slide the floor stand toward the back of the computer until the release tab “clicks” into place.



- c. Carefully turn the computer so that it sits vertically on the floor stand.

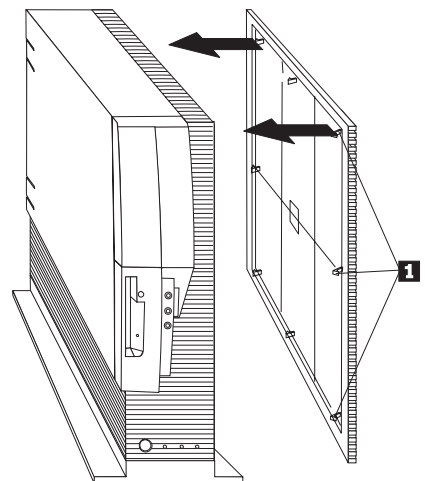


Note: When using your computer with the floor stand, secure CDs in the CD-ROM drive by extending the clips on the tray so the CD does not fall out. The above illustration shows a CD installed in the loading tray of the CD-ROM drive, with the clips extended.

For more information on inserting, securing, and unloading removable media, see *Using Your Personal Computer*, the manual supplied with your system.

4. Install the bottom cover.

- a. Align the hooks on the bottom cover **1** with the floor slots on the bottom of the computer.

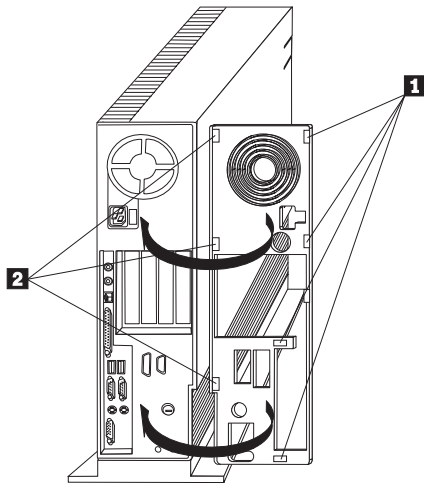


- b. Place the hooks in the slots and push the top of the bottom cover towards the top of the upright computer, until the tabs “click” into their slots.

5. Install the rear cover.

- a. Align the hooks on the side of the rear cover **2** with the slots on the back of the computer.
- b. Peel the protective covering from the Velcro strips **1**.

- c. Pivot the rear cover until the Velcro fasteners adhere to the cover.

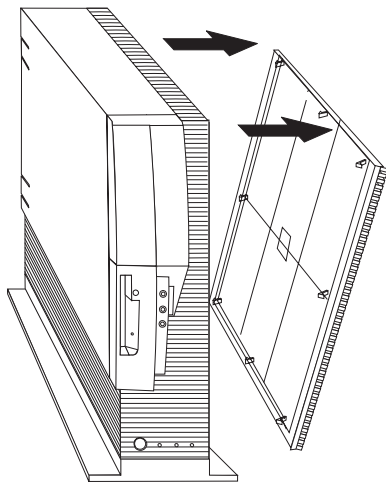


- 6. Reconnect the signal cables for the attached devices.
- 7. Reconnect the power cords for the computer and all attached devices.

Removing the Desktop Personal Computer Floor Stand

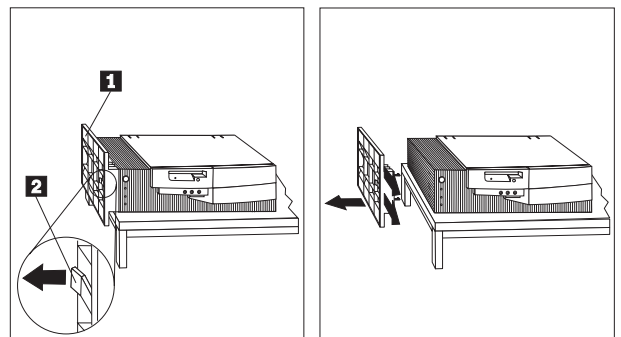
You may want to remove the floor stand, bottom cover, and rear cover if you want to remove the computer cover to install an option or move the computer to another location. Here are the instructions for removal:

- 1. Turn off all attached devices. Turn off the computer.
- 2. Unplug the power cords for the computer and all attached devices. Disconnect the signal cables for the attached devices from the computer.
- 3. Remove the bottom cover.
 - a. Pull the top of the bottom cover away from the computer.
 - b. Lift up on the cover to disengage the hooks from the slots.



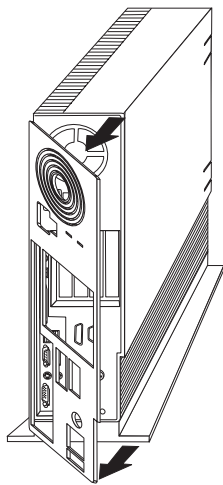
4. Remove the floor stand.

- a. Place the computer on a flat work surface with the side on which the floor stand is attached extending over the left edge of the work surface, and the front of the computer facing toward you.
- b. Pull the release tab **2** out and slide the stand **1** toward the front of the computer.



- c. Pull the stand away from the computer to clear the tabs from the vents. Be sure to hold on to the floor stand to avoid dropping it.

5. Remove the rear cover.



- a. Pull the bottom of the rear cover until the Velcro separates.
 - b. Pull the hooks out of their slots.
6. Reconnect the signal cables to the attached devices.
 7. Reconnect the power cords for the computer and all attached devices.

Product Service and Warranty Information

For technical support, support hours, and warranty terms and conditions, see the enclosed inserts, or contact your IBM reseller or IBM marketing representative.

Quick Installation (B.Port.)

Desktop Personal Computer Floor Stand Installation

You can use the Desktop Personal Computer Floor Stand to turn your desktop computer into a vertical unit which can be placed on the floor. This option is designed for use with the following IBM 300PL desktop computers:

IBM PC 6562-100	IBM PC 6562-420
IBM PC 6562-200	IBM PC 6562-440
IBM PC 6562-320	IBM PC 6562-460
IBM PC 6562-340	IBM PC 6562-500
IBM PC 6562-360	IBM PC 6562-840
IBM PC 6562-380	IBM PC 6562-860
IBM PC 6562-400	

In addition to this book, the Desktop Personal Computer Floor Stand option includes:

- A floor stand
- A rear cover
- A bottom cover

Contact your place of purchase if an item is missing or damaged. Be sure to retain your proof of purchase. It might be required to receive warranty service.

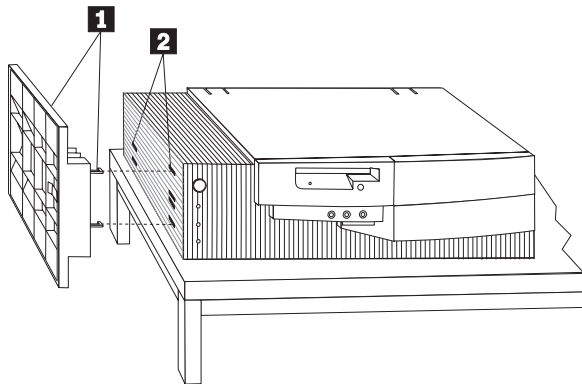
Installing the Desktop Personal Computer Floor Stand and Accessories

Attention

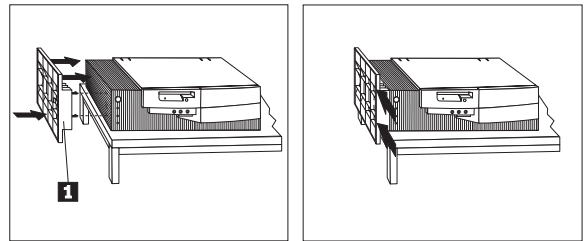
To avoid possible injury while moving or lifting the computer, ask another person to help you if the computer is too heavy for you to lift safely.

1. Turn off all attached devices. Turn off the computer. Unplug the signal cables and power cords from the computer.
2. With the front of your desktop computer facing you, move the computer to the edge of your work surface so that the left side of the computer is easily accessible.
3. Install the floor stand:

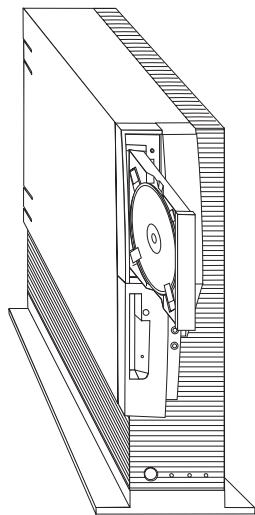
- a. Align the hooks on the floor stand **1** with the outer vents **2** in the left side of the computer cover. Be sure the tab hooks are pointing up.



- b. Push the floor stand **1** firmly into the computer, inserting the tabs fully into the slots. Slide the floor stand toward the back of the computer until the release tab “clicks” into place.



- c. Carefully turn the computer so that it sits vertically on the floor stand.

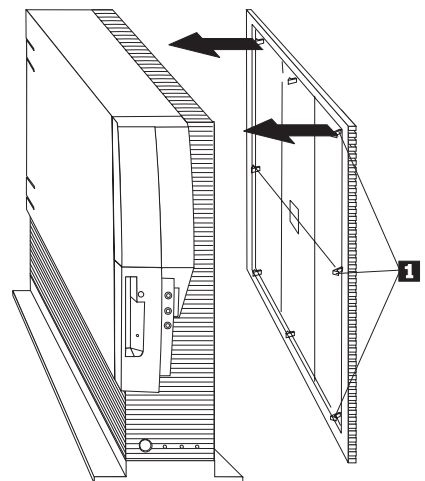


Note: When using your computer with the floor stand, secure CDs in the CD-ROM drive by extending the clips on the tray so the CD does not fall out. The above illustration shows a CD installed in the loading tray of the CD-ROM drive, with the clips extended.

For more information on inserting, securing, and unloading removable media, see *Using Your Personal Computer*, the manual supplied with your system.

4. Install the bottom cover.

- a. Align the hooks on the bottom cover **1** with the floor slots on the bottom of the computer.

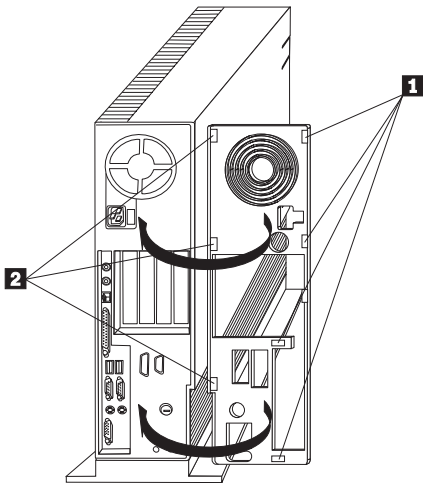


- b. Place the hooks in the slots and push the top of the bottom cover towards the top of the upright computer, until the tabs “click” into their slots.

5. Install the rear cover.

- a. Align the hooks on the side of the rear cover **2** with the slots on the back of the computer.
- b. Peel the protective covering from the Velcro strips **1**.

- c. Pivot the rear cover until the Velcro fasteners adhere to the cover.

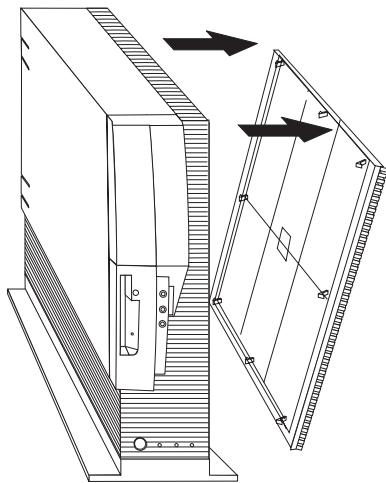


6. Reconnect the signal cables for the attached devices.
7. Reconnect the power cords for the computer and all attached devices.

Removing the Desktop Personal Computer Floor Stand

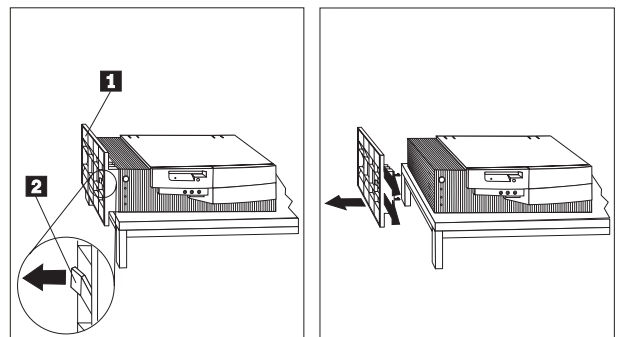
You may want to remove the floor stand, bottom cover, and rear cover if you want to remove the computer cover to install an option or move the computer to another location. Here are the instructions for removal:

1. Turn off all attached devices. Turn off the computer.
2. Unplug the power cords for the computer and all attached devices. Disconnect the signal cables for the attached devices from the computer.
3. Remove the bottom cover.
 - a. Pull the top of the bottom cover away from the computer.
 - b. Lift up on the cover to disengage the hooks from the slots.



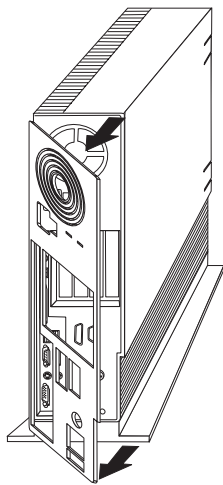
4. Remove the floor stand.

- a. Place the computer on a flat work surface with the side on which the floor stand is attached extending over the left edge of the work surface, and the front of the computer facing toward you.
- b. Pull the release tab **2** out and slide the stand **1** toward the front of the computer.



- c. Pull the stand away from the computer to clear the tabs from the vents. Be sure to hold on to the floor stand to avoid dropping it.

5. Remove the rear cover.



- a. Pull the bottom of the rear cover until the Velcro separates.
 - b. Pull the hooks out of their slots.
6. Reconnect the signal cables to the attached devices.
 7. Reconnect the power cords for the computer and all attached devices.

Product Service and Warranty Information

For technical support, support hours, and warranty terms and conditions, see the enclosed inserts, or contact your IBM reseller or IBM marketing representative.

Part 2: Warranty and Notices

Warranty and Notices

Product Warranty

The following warranty information applies to products purchased in the United States, Canada, and Puerto Rico. For warranty terms and conditions for products purchased in other countries, see the enclosed Warranty insert, or contact your IBM reseller or IBM marketing representative.

International Business Machines Corporation

Armonk, New York, 10504

Statement of Limited Warranty

The warranties provided by IBM in this Statement of Limited Warranty apply only to Machines you originally purchase for your use, and not for resale, from IBM or your reseller. The term "Machine" means an IBM machine, its features, conversions, upgrades, elements, or accessories, or any combination of them. Unless IBM specifies otherwise, the following warranties apply only in the country where you acquire the Machine. If you have any questions, contact IBM or your reseller.

Machine: Desktop Personal Computer Floor Stand

Warranty Period*: One Year

**Contact your place of purchase for warranty service information.*

Production Status

Each Machine is manufactured from new parts, or new and used parts. In some cases, the Machine may not be new and may have been previously installed. Regardless of the Machine's production status, IBM's warranty terms apply.

The IBM Warranty for Machines

IBM warrants that each Machine 1) is free from defects in materials and workmanship and 2) conforms to IBM's Official Published Specifications. The warranty period for a Machine is a specified, fixed period commencing on its Date of Installation. The date on your receipt is the Date of Installation, unless IBM or your reseller informs you otherwise.

During the warranty period IBM or your reseller, if authorized by IBM, will provide warranty service under the type of service designated for the Machine and will manage and install engineering changes that apply to the Machine.

For IBM or your reseller to provide warranty service for a feature, conversion, or upgrade, IBM or your reseller may require that the Machine on which it is installed be 1) for certain Machines, the designated, serial-numbered Machine and 2) at an engineering-change level compatible with the feature, conversion, or upgrade. Many of these transactions involve the removal of parts and their return to IBM. You represent that all removed parts are genuine and unaltered. A part that replaces a removed part will assume the warranty service status of the replaced part.

If a Machine does not function as warranted during the warranty period, IBM or your reseller will repair it or replace it with one that is at least functionally equivalent, without charge. The replacement may not be new, but will be in

good working order. If IBM or your reseller is unable to repair or replace the Machine, you may return it to your place of purchase and your money will be refunded.

If you transfer a Machine to another user, warranty service is available to that user for the remainder of the warranty period. You should give your proof of purchase and this Statement to that user. However, for Machines which have a life-time warranty, this warranty is not transferable.

Warranty Service

To obtain warranty service for the Machine, you should contact your reseller or call IBM. In the United States, call IBM at **1-800-772-2227**. In Canada, call IBM at **1-800-565-3344**. You may be required to present proof of purchase.

IBM or your reseller will provide certain types of repair and exchange service, either at your location or at IBM's or your reseller's service center, to restore a Machine to good working order.

When a type of service involves the exchange of a Machine or part, the item IBM or your reseller replaces becomes its property and the replacement becomes yours. You represent that all removed items are genuine and unaltered. The replacement may not be new, but will be in good working order and at least functionally equivalent to the item replaced. The replacement assumes the warranty service status of the replaced item. Before IBM or your reseller exchanges a Machine or part, you agree to remove all features, parts, options, alterations, and attachments not under warranty service. You also agree to ensure that the Machine is free of any legal obligations or restrictions that prevent its exchange.

You agree to:

1. obtain authorization from the owner to have IBM or your reseller service a Machine that you do not own; and
2. where applicable, before service is provided —

- a. follow the problem determination, problem analysis, and service request procedures that IBM or your reseller provide,
- b. secure all programs, data, and funds contained in a Machine, and
- c. inform IBM or your reseller of changes in a Machine's location.

IBM is responsible for loss of, or damage to, your Machine while it is 1) in IBM's possession or 2) in transit in those cases where IBM is responsible for the transportation charges.

Extent of Warranty

IBM does not warrant uninterrupted or error-free operation of a Machine.

The warranties may be voided by misuse, accident, modification, unsuitable physical or operating environment, improper maintenance by you, removal or alteration of Machine or parts identification labels, or failure caused by a product for which IBM is not responsible.

THESE WARRANTIES REPLACE ALL OTHER WARRANTIES OR CONDITIONS, EXPRESS OR IMPLIED, INCLUDING, BUT NOT LIMITED TO, THE IMPLIED WARRANTIES OR CONDITIONS OF MERCHANTABILITY AND FITNESS FOR A PARTICULAR PURPOSE. THESE WARRANTIES GIVE YOU SPECIFIC LEGAL RIGHTS AND YOU MAY ALSO HAVE OTHER RIGHTS WHICH VARY FROM JURISDICTION TO JURISDICTION. SOME JURISDICTIONS DO NOT ALLOW THE EXCLUSION OR LIMITATION OF EXPRESS OR IMPLIED WARRANTIES, SO THE ABOVE EXCLUSION OR LIMITATION MAY NOT APPLY TO YOU. IN THAT EVENT SUCH WARRANTIES ARE LIMITED IN DURATION TO THE WARRANTY PERIOD. NO WARRANTIES APPLY AFTER THAT PERIOD.

Limitation of Liability

Circumstances may arise where, because of a default on IBM's part or other liability you are entitled to recover damages from IBM. In each such instance, regardless of the basis on which you are entitled to claim damages from IBM (including fundamental breach, negligence, misrepresentation, or other contract or tort claim), IBM is liable only for:

1. damages for bodily injury (including death) and damage to real property and tangible personal property; and
2. the amount of any other actual direct damages or loss, up to the greater of U.S. \$100,000 or the charges (if recurring, 12 months' charges apply) for the Machine that is the subject of the claim.

UNDER NO CIRCUMSTANCES IS IBM LIABLE FOR ANY OF THE FOLLOWING: 1) THIRD-PARTY CLAIMS AGAINST YOU FOR LOSSES OR DAMAGES (OTHER THAN THOSE UNDER THE FIRST ITEM LISTED ABOVE); 2) LOSS OF, OR DAMAGE TO, YOUR RECORDS OR DATA; OR 3) SPECIAL, INCIDENTAL, OR INDIRECT DAMAGES OR FOR ANY ECONOMIC CONSEQUENTIAL DAMAGES (INCLUDING LOST PROFITS OR SAVINGS), EVEN IF IBM OR YOUR RESELLER IS INFORMED OF THEIR POSSIBILITY. SOME JURISDICTIONS DO NOT ALLOW THE EXCLUSION OR LIMITATION OF INCIDENTAL OR CONSEQUENTIAL DAMAGES, SO THE ABOVE EXCLUSION OR LIMITATION MAY NOT APPLY TO YOU.

Notices

References in this publication to IBM products, programs, or services do not imply that IBM intends to make these available in all countries in which IBM operates. Any reference to an IBM product, program, or service is not intended to state or imply that only that IBM product, program, or service may be used. Subject to IBM's valid intellectual property or other legally protectable rights, any functionally equivalent product, program, or service may be used instead of the IBM product, program, or service. The evaluation and verification of operation in conjunction with other products, except those expressly designated by IBM, are the responsibility of the user.

IBM may have patents or pending patent applications covering subject matter in this document. The furnishing of this document does not give you any license to these patents. You can send license inquiries, in writing, to:

IBM Director of Licensing
IBM Corporation
500 Columbus Avenue
Thornwood, NY 10594
U.S.A.

Trademarks

IBM is a trademark of the IBM Corporation.

Other company, product, and service names may be trademarks or service marks of others.

Appendix A.
Safety Information

To Disconnect:

DO NOT print this page—replace with National Safety Information.

DO NOT print this page—replace with National Safety Information.

DO NOT print this page—replace with National Safety Information.

DO NOT print this page—replace with National Safety Information.

DO NOT print this page—replace with National Safety Information.

DO NOT print this page—replace with National Safety Information.

DO NOT print this page—replace with National Safety Information.

DO NOT print this page—replace with National Safety Information.

DO NOT print this page—replace with National Safety Information.

DO NOT print this page—replace with National Safety Information.

Appendix B. ***Help and Service Information***

Step 1: Preparing for the Call

To assist the technical support representative, have available as much of the following information as possible:

1. Computer manufacturer and computer model
2. Option name: Desktop Personal Computer Floor Stand
3. Option part number: 84H8272
4. Proof of purchase
5. Exact wording of the error message (if any)
6. Description of the problem
7. Hardware and software configuration information for your system

If possible, be at your computer. Your technical support representative might want to walk you through the problem during the call.

Step 2: Placing the Call to IBM

Technical support is available during the warranty period to answer any questions about your new IBM option. Response time will vary depending on the number and nature of calls received. Marketing, installation, and configuration support will be withdrawn from the PC Company HelpCenter 90 days after the option has been withdrawn from marketing.

If you call 90 days or more after the date of withdrawal or after your warranty has expired, you might be charged a fee.

Online technical support is available during the life of your product. Online assistance can be obtained through the IBM PC Company Automated fax system, the PC Company Web page, and the PC Company Electronic Bulletin Board System.

<i>Online Technical Support</i>	
IBM PC Company Web Page	www.us.pc.ibm.com
IBM PC Company BBS	(919)517-0001
IBM PC Company Automated Fax System	(800)426-3395

For the support telephone number and support hours by country, refer to the following table or to the enclosed technical support insert. If the number is not provided, contact your IBM reseller or IBM marketing representative.

<i>Support 24 hours a day, 7 days a week</i>	
Canada	(800)565-3344
Puerto Rico	(800)772-2227
United States	(800)772-2227



Part Number: 84H8272

Printed in U.S.A.

84H8272

