



# ThinkPad<sup>®</sup> X60, X60s, X61, and X61s Hardware Maintenance Manual

**This manual supports:**

**ThinkPad X60**

(MT 1706, 1707, 1708, 1709, 2509, and 2510)

**ThinkPad X60s**

(MT 1702, 1703, 1704, 1705, 2507, 2508, 2533, and 2534)

**ThinkPad X61**

(MT 7673, 7674, 7675, 7676, 7678, and 7679)

**ThinkPad X61s**

(MT 7666, 7667, 7668, 7669, 7670, and 7671)



**ThinkPad**

**ThinkPad<sup>®</sup> X60, X60s, X61, and X61s  
Hardware Maintenance Manual**

**Note**

Before using this information and the product it supports, be sure to read the general information under “Notices” on page 197.

**First Edition (May 2007)**

**© Copyright Lenovo 2007. All rights reserved.**

U.S. GOVERNMENT USERS – RESTRICTED RIGHTS: Our products and/or services are provided with RESTRICTED RIGHTS. Use, duplication or disclosure by the Government is subject to the GSA ADP Schedule contract with Lenovo, if any, or the standard terms of this commercial license, or if the agency is unable to accept this Program under these terms, then we provide this Program under the provisions set forth in Commercial Computer Software–Restricted Rights at FAR 52.227-19, when applicable, or under Rights in Data-General, FAR 52.227.14 (Alternate III).



# Contents

## About this manual . . . . . 1

## Introduction . . . . . 3

|  |    |
|--|----|
| Important service information . . . . .                                  | 3  |
| Strategy for replacing FRUs . . . . .                                    | 3  |
| Strategy for replacing a hard disk drive . . . . .                       | 4  |
| Important notice for replacing a system board . . . . .                  | 4  |
| How to use error messages . . . . .                                      | 4  |
| Strategy for replacing FRUs for CTO, CMV, and GAV . . . . .              | 4  |
| Product definition . . . . .   | 4  |
| FRU identification for CTO, CMV, and GAV products . . . . .              | 5  |
| Important information about replacing RoHS compliant FRUs . . . . .      | 6  |
| Diskette compatibility matrix . . . . .                                  | 7  |
| Safety notices: multilingual translations . . . . .                      | 7  |
| Safety information . . . . .   | 13 |
| General safety . . . . .   | 13 |
| Electrical safety . . . . .  | 13 |
| Safety inspection guide . . . . .  | 15 |
| Handling devices that are sensitive to electrostatic discharge . . . . . | 16 |
| Grounding requirements . . . . .   | 16 |
| Laser compliance statement . . . . .                                     | 17 |

## General descriptions. . . . . 19

|  |    |
|--|----|
| Read this first . . . . .  | 19 |
| What to do first . . . . .   | 19 |
| Related service information . . . . .                                    | 21 |
| Service Web site . . . . .   | 21 |
| Restoring the factory contents by using Product Recovery discs . . . . . | 21 |
| Passwords . . . . .  | 22 |
| Power management . . . . .   | 24 |
| Checkout guide . . . . .   | 27 |
| Testing the computer . . . . .   | 27 |
| Detecting system information with PC-Doctor . . . . .                    | 29 |
| Power system checkout . . . . .  | 30 |

## ThinkPad X60, X60s, X61, and X61s . . . . . 33

|  |    |
|--|----|
| Product overview . . . . .                               | 34 |
| Specifications . . . . .                                 | 34 |
| Status indicators for X60, X60s, X61, and X61s . . . . . | 37 |
| FRU tests . . . . .                                      | 39 |
| Fn key combinations . . . . .                            | 41 |
| Symptom-to-FRU index . . . . .                           | 43 |
| Numeric error codes . . . . .                            | 43 |
| Error messages . . . . .                                 | 47 |
| Beep symptoms . . . . .                                  | 49 |
| No-beep symptoms . . . . .                               | 49 |
| LCD-related symptoms . . . . .                           | 50 |
| Intermittent problems . . . . .                          | 51 |
| Undetermined problems . . . . .                          | 51 |
| FRU replacement notices . . . . .                        | 52 |
| Screw notices . . . . .                                  | 52 |

|  |     |
|--|-----|
| Retaining serial numbers . . . . .                             | 52  |
| Removing and replacing a FRU. . . . .                          | 55  |
| 1010 Battery pack . . . . .                                    | 56  |
| 1020 Hard disk drive (2.5-inch) and HDD rubber rails . . . . . | 57  |
| 1030 DIMM cover . . . . .                                      | 59  |
| 1040 DIMM . . . . .  | 60  |
| 1050 Keyboard . . . . .  | 61  |
| 1060 Upper case . . . . .                                      | 65  |
| 1070 Fingerprint reader . . . . .                              | 68  |
| 1080 Hard disk (1.8-inch) . . . . .                            | 69  |
| 1090 Hard disk housing (1.8-inch) . . . . .                    | 70  |
| 1100 Wireless WAN PCI Express Mini card . . . . .              | 71  |
| 1110 Intel Turbo Memory card . . . . .                         | 73  |
| 1120 Wireless LAN PCI Express Mini card . . . . .              | 74  |
| 1130 MDC . . . . .   | 77  |
| 1140 Backup battery . . . . .                                  | 78  |
| 1150 Second Fan . . . . .                                      | 79  |
| 1160 Speaker . . . . .   | 80  |
| 1170 DC-in and RJ-11 connectors . . . . .                      | 81  |
| 1180 LCD assembly . . . . .                                    | 82  |
| 1190 Hard disk sub-card . . . . .                              | 88  |
| 1200 System board and lower case assembly with label . . . . . | 89  |
| 1210 Fansink . . . . .   | 92  |
| 2010 LCD bezel . . . . .                                       | 93  |
| 2020 Inverter card . . . . .                                   | 96  |
| 2030 <i>Bluetooth</i> daughter card . . . . .                  | 97  |
| 2040 LCD . . . . .   | 98  |
| 2050 Wireless WAN retractable antenna . . . . .                | 101 |
| 2060 Wireless WAN antenna cable (SPWG) . . . . .               | 102 |
| 2070 Wireless LAN antenna cables (SPWG) . . . . .              | 103 |
| 2080 Hinges . . . . .  | 105 |
| 2090 Wireless LAN antenna cables (TMD) . . . . .               | 109 |
| 2100 Wireless WAN antenna cable (TMD) . . . . .                | 111 |
| 2110 LCD panel and LCD cable . . . . .                         | 113 |
| Locations . . . . .  | 115 |
| Front view for ThinkPad X60, X60s, X61, and X61s . . . . .     | 115 |
| Rear view for ThinkPad X60, X60s, X61, and X61s . . . . .      | 116 |
| Bottom view for ThinkPad X60, X60s, X61, and X61s . . . . .    | 117 |
| Rear View for ThinkPad X6 UltraBase . . . . .                  | 118 |
| Bottom View for ThinkPad X6 UltraBase . . . . .                | 118 |
| Parts list . . . . .   | 119 |
| Overall . . . . .  | 119 |
| LCD FRUs . . . . .   | 181 |
| Keyboard . . . . .   | 184 |
| Recovery discs . . . . .                                       | 186 |
| Miscellaneous parts . . . . .                                  | 193 |
| AC adapters . . . . .  | 194 |
| Common parts list . . . . .                                    | 195 |
| Notices . . . . .  | 197 |
| Trademarks . . . . .   | 198 |



---

## About this manual

This manual contains service and reference information for ThinkPad X60 (MT 1706, 1707, 1708, 1709, 2509, and 2510) and ThinkPad X60s (MT 1702, 1703, 1704, 1705, 2507, 2508, 2533, and 2534) product. Use this manual along with the advanced diagnostic tests to troubleshoot problems.

The manual is divided into sections as follows:

- The common sections provide general information, guidelines, and safety information required in servicing computers.
- The product-specific section includes service, reference, and product-specific parts information.

### **Important**

This manual is intended for trained service personnel who are familiar with ThinkPad products. Use this manual along with the advanced diagnostic tests to troubleshoot problems effectively.

Before servicing a ThinkPad product, be sure to review the safety information under "Safety notices: multilingual translations" on page 7, "Safety information" on page 13, and "Laser compliance statement" on page 17.



---

## Introduction

---

### Important service information

**Important**

BIOS and device driver fixes are customer-installable. The BIOS and device drivers are posted on the customer support site <http://www.lenovo.com/support>

Advise customers to contact the Customer Support Center at 800-426-7378 if they need assistance in obtaining or installing any software fixes, drivers, and BIOS downloads.

Customers in Canada should call the Customer Support Center at 800-565-3344 for assistance or download information.

---

### Strategy for replacing FRUs

**Before replacing parts**

Make sure that all software fixes, drivers, and BIOS downloads are installed before replacing any FRUs listed in this manual.

To download software fixes, drivers, and BIOS, do as follows:

1. Go to <http://www.lenovo.com/support>
2. Enter the product number of the computer or press Auto-detect button on the screen.
3. Select **Downloads and drivers**.
4. Follow the directions on the screen and install the necessary software.

Use the following strategy to prevent unnecessary expense for replacing and servicing FRUs:

- **If you are instructed to replace a FRU but the replacement does not correct the problem, reinstall the original FRU before you continue.**
- Some computers have both a processor board and a system board. If you are instructed to replace either the processor board or the system board, and replacing one of them does not correct the problem, reinstall that board, and then replace the other one.
- If an adapter or a device consists of more than one FRU, any of the FRUs may be the cause of the error. Before replacing the adapter or device, remove the FRUs, one by one, to see if the symptoms change. Replace only the FRU that changed the symptoms.

**Attention:** The setup configuration on the computer you are servicing may have been customized. Running Automatic Configuration may alter the settings. Note the current configuration settings (using the View Configuration option); then, when service has been completed, verify that those settings remain in effect.

## Strategy for replacing a hard disk drive

Always try to run a low-level format before replacing a hard disk drive.

**Attention:** The drive startup sequence in the computer you are servicing may have been changed. Be extremely careful during write operations such as copying, saving, or formatting. If you select an incorrect drive, data or programs can be overwritten.

## Important notice for replacing a system board

Some components mounted on a system board are very sensitive. Improper handling of a system board can cause damage to those components, and may cause a system malfunction.

**Attention:** When handling a system board:

- Do not drop a system board or apply any excessive force to it.
- Avoid rough handling of any kind.
- Avoid bending a system board and hard pushing to prevent cracking at each BGA (Ball Grid Array) chipset.

## How to use error messages

Use the error codes displayed on the screen to diagnose failures. If more than one error code is displayed, begin the diagnosis with the first error code. Whatever causes the first error code may also cause false error codes. If no error code is displayed, see whether the error symptom is listed in the Symptom-to-FRU Index for the computer you are servicing.

---

## Strategy for replacing FRUs for CTO, CMV, and GAV

### Product definition

#### Dynamic Configure To Order (CTO)

This provides the ability for a customer to configure an IBM® or a Lenovo™ solution from an eSite, and have this configuration sent to fulfillment, where it is built and shipped directly to the customer. The machine label, PC Entitlement Warehouse (PEW), eSupport, and the HMM will load these products as the 4-digit MT and 3-digit model, where model = "CTO" (Example: 1829-CTO).

#### Custom Model Variant (CMV)

This is a unique configuration that has been negotiated between IBM or Lenovo and the customer. A unique 4-digit MT and 3-digit model is provided to the customer to place orders (Example: 1829-W15). A CMV is a special bid offering. Therefore, it is NOT generally announced.

- The MTM portion of the machine label is the 4-digit MT and 3-digit model, where model = "CTO" (Example: 1829-CTO). The PRODUCT ID portion of the machine label is the 4-digit MT and 3-digit CMV model (Example: 1829-W15).
- The PEW record is the 4-digit MT and 3-digit model, where model = "CTO" (Example: 1829-CTO).
- eSupport will show both the CTO and CMV machine type models (Example: 1829-CTO and 1829-W15 will be found on the eSupport site.)
- The HMM will have the 4-digit MT and 3-digit CTO model only (Example: 1829-CTO). Again, CMVs are custom models and are not found in the HMM.

### **General Announce Variant (GAV)**

This is a standard model (fixed configuration). GAVs are announced and offered to all customers. The MTM portion of the machine label is a 4-digit MT and 3-digit model, where model = a “fixed part number”, not “CTO” (Example: 1829-F1U). Also, PEW, eSupport, and the HMM will list these products under the same fixed model number.

## **FRU identification for CTO, CMV, and GAV products**

There are three information resources to identify which FRUs are used to support CTO, CMV, and GAV products. These sources are PEW, eSupport, and the HMM.

### **Using PEW**

- PEW is the primary source for identifying FRU part numbers and FRU descriptions for the key commodities for CTO, CMV and GAV products at a MT - serial number level. An example of key commodities are hard disk drives, system boards, microprocessors, Liquid Crystal Displays (LCDs), and memory.
- Remember, all CTO and CMV products are loaded in PEW under the 4-digit MT and 3-digit model, where model = “CTO” (Example: 1829-CTO). GAVs are loaded in PEW under the 4-digit MT and 3-digit model, where model = a “fixed part number”, not “CTO” (Example: 1829-F1U).
- PEW can be accessed at the following Web site:  
<http://w3-3.ibm.com/pc/entitle>  
Customers can also access PEW via  
<http://www-307.ibm.com/pc/support/site.wss/product.do?template=warranty/warranty.vm&sitestyle=lenovo>  
Click on MACHINE LOOKUP, followed by WARRANTY INFORMATION. Input the MT and the Serial number and the list of key commodities will be returned in the PEW record under COMPONENT INFORMATION.
- **Business Partners** using Eclaim will access PEW when performing Entitlement Lookup. Business Partners will enter Loc ID, MT and Serial, and the key commodities will be returned in the Eclaim record under SYSTEM DETAILS.
- Authorized IBM Business Partners can access Eclaim at the following Web site:  
<https://wca.eclaim.com>

### **Using eSupport**

**For Key Commodities (Examples - hard disk drive, system board, microprocessor, LCD, and memory)**

- eSupport can be used to view the list of key commodities built in a particular machine serial (this is the same record found in PEW).
- eSupport can be accessed at the following Web site: <http://www.lenovo.com/support>
- To view the key commodities, click on PARTS INFORMATION, then PARTS LOOKUP. Type in the model type and serial number. The key commodities will be returned in the eSupport record under PARTS SHIPPED WITH YOUR SYSTEM.

**For the Remaining FRUs (the complete list of FRUs at the MT Model level)**

- eSupport can be used to view the complete list of FRUs for a machine type and model.
- To view the complete list of FRUs, type in the machine type and model (Example: 1829-CTO) under QUICK PATH. Under “View by Document Type” select PARTS INFORMATION. Under “Filter by Category” select SERVICE

## Important service information

PARTS. Under “Parts Information by Date” select SYSTEM SERVICE PARTS. The list of service parts by description, with applicable machine type model and FRU will be displayed.

### Using the HMM

Use the HMM as a back-up to PEW and eSupport to view the complete list of FRUs at the MT Model level.

---

## Important information about replacing RoHS compliant FRUs

RoHS, The Restriction of Hazardous Substances in Electrical and Electronic Equipment Directive (2002/95/EC) is a European Union legal requirement affecting the global electronics industry. RoHS requirements must be implemented on Lenovo products placed on the market after June 2006. Products on the market before June 2006 are not required to have RoHS compliant parts. So, if the original FRU parts are non compliant, replacement parts can also be non compliant. In all cases if the original FRU parts are RoHS compliant the replacement part must also be RoHS compliant.

Lenovo plans to transition to RoHS compliance well before the implementation date and expects its suppliers to be ready to support Lenovo's requirements and schedule. Products sold in 2005 and 2006, will contain some RoHS compliant FRUs. The following statement pertains to these products and any product Lenovo produces containing RoHS compliant FRUs.

RoHS compliant FRUs have unique FRU part numbers. Before or after the RoHS implementation date, failed RoHS compliant parts must always be replaced using RoHS compliant FRUs, so only the FRUs identified as compliant in the system HMM or direct substitutions for those FRUs may be used.

| Products marketed before June 2006 |                 | Products marketed after June 2006 |                 |
|------------------------------------|-----------------|-----------------------------------|-----------------|
| Current or original part           | Replacement FRU | Current or original part          | Replacement FRU |
| Non-RoHS                           | Can be Non-RoHS | Must be RoHS                      | Must be RoHS    |
| Non-RoHS                           | Can be RoHS     |                                   |                 |
| Non-RoHS                           | Can sub to RoHS |                                   |                 |
| RoHS                               | Must be RoHS    |                                   |                 |

**Note:** A direct substitution is a part with a different FRU part number that is automatically shipped by the distribution center at the time of the order.



## Diskette compatibility matrix

The compatibility of each of the drives with the diskettes for it is as follows:

| Diskette drive | Diskette capacity | Compatibility  |
|----------------|-------------------|----------------|
| 3.5-inch       | 1.0 MB            | Read and write |
|                | 2.0 MB            | Read and write |
|                | 4.0 MB            | Not compatible |

## Safety notices: multilingual translations

In this manual, safety notices appear in English with a page number reference to the appropriate multilingual, translated safety notice found in this section.

The following safety notices are provided in English, French, German, Hebrew, Italian, and Spanish.

### Safety notice 1

Before the computer is powered on after FRU replacement, make sure all screws, springs, and other small parts are in place and are not left loose inside the computer. Verify this by shaking the computer and listening for rattling sounds. Metallic parts or metal flakes can cause electrical shorts.

Avant de remettre l'ordinateur sous tension après remplacement d'une unité en clientèle, vérifiez que tous les ressorts, vis et autres pièces sont bien en place et bien fixées. Pour ce faire, secouez l'unité et assurez-vous qu'aucun bruit suspect ne se produit. Des pièces métalliques ou des copeaux de métal pourraient causer un court-circuit.

Bevor nach einem FRU-Austausch der Computer wieder angeschlossen wird, muß sichergestellt werden, daß keine Schrauben, Federn oder andere Kleinteile fehlen oder im Gehäuse vergessen wurden. Der Computer muß geschüttelt und auf Klappergeräusche geprüft werden. Metallteile oder-splitter können Kurzschlüsse erzeugen.

לפני הפעלת המחשב לאחר החלפת FRU יש לוודא שכל הברגים, הקפיצים, וחלקים קטנים אחרים נמצאים במקומם ואינם חופשיים לזוז בתוך המחשב. כדי לוודא זאת, יש לטלטל את המחשב ולהקשיב לגילוי קולות שקשוק. חלקי או שבבי מתכת עלולים לגרום לקצרים חשמליים.

Prima di accendere l'elaboratore dopo che é stata effettuata la sostituzione di una FRU, accertarsi che tutte le viti, le molle e tutte le altri parti di piccole dimensioni siano nella corretta posizione e non siano sparse all'interno dell'elaboratore. Verificare ciò scuotendo l'elaboratore e prestando attenzione ad eventuali rumori; eventuali parti o pezzetti metallici possono provocare cortocircuiti pericolosi.

Antes de encender el sistema despues de sustituir una FRU, compruebe que todos los tornillos, muelles y demás piezas pequeñas se encuentran en su sitio y no se encuentran sueltas dentro del sistema. Compruébelo agitando el sistema y escuchando los posibles ruidos que provocarían. Las piezas metálicas pueden causar cortocircuitos eléctricos.

Safety notice 2



Some standby batteries contain a small amount of nickel and cadmium. Do not disassemble a standby battery, recharge it, throw it into fire or water, or short-circuit it. Dispose of the battery as required by local ordinances or regulations. Use only the battery in the appropriate parts listing. Use of an incorrect battery can result in ignition or explosion of the battery.

Certaines batteries de secours contiennent du nickel et du cadmium. Ne les démontez pas, ne les rechargez pas, ne les exposez ni au feu ni à l'eau. Ne les mettez pas en court-circuit. Pour les mettre au rebut, conformez-vous à la réglementation en vigueur. Lorsque vous remplacez la pile de sauvegarde ou celle de l'horloge temps réel, veillez à n'utiliser que les modèles cités dans la liste de pièces détachées adéquate. Une batterie ou une pile inappropriée risque de prendre feu ou d'exploser.

Die Bereitschaftsbatterie, die sich unter dem Diskettenlaufwerk befindet, kann geringe Mengen Nickel und Cadmium enthalten. Sie darf nur durch die Verkaufsstelle oder den IBM Kundendienst ausgetauscht werden. Sie darf nicht zerlegt, wiederaufgeladen, kurzgeschlossen, oder Feuer oder Wasser ausgesetzt werden. Die Batterie kann schwere Verbrennungen oder Verätzungen verursachen. Bei der Entsorgung die örtlichen Bestimmungen für Sondermüll beachten. Beim Ersetzen der Bereitschafts- oder Systembatterie nur Batterien des Typs verwenden, der in der Ersatzteilliste aufgeführt ist. Der Einsatz falscher Batterien kann zu Entzündung oder Explosion führen.

סוללות המתנה מסוימות מכילות כמויות קטנות של ניקל וקדמיום. אין לפרק סוללת המתנה, לטעון אותה מחדש, להשליך אותה לאש או למים או לקצר אותה. יש לסלק את הסוללה כנדרש על ידי התקנות והחוקים המקומיים. יש להשתמש רק בסוללה המופיעה ברשימת החלקים המתאימה. שימוש בסוללה לא מתאימה עלול לגרום להצתה או התפוצצות של הסוללה.

Alcune batterie di riserva contengono una piccola quantità di nichel e cadmio. Non smontarle, ricaricarle, gettarle nel fuoco o nell'acqua né cortocircuitarle. Smaltirle secondo la normativa in vigore (DPR 915/82, successive disposizioni e disposizioni locali). Quando si sostituisce la batteria dell'RTC (real time clock) o la batteria di supporto, utilizzare soltanto i tipi inseriti nell'appropriato Catalogo parti. L'impiego di una batteria non adatta potrebbe determinare l'incendio o l'esplosione della batteria stessa.

Algunas baterías de reserva contienen una pequeña cantidad de níquel y cadmio. No las desmonte, ni recargue, ni las eche al fuego o al agua ni las cortocircuite. Deséchelas tal como dispone la normativa local. Utilice sólo baterías que se encuentren en la lista de piezas. La utilización de una batería no apropiada puede provocar la ignición o explosión de la misma.

## Safety notice 3



The battery pack contains small amounts of nickel. Do not disassemble it, throw it into fire or water, or short-circuit it. Dispose of the battery pack as required by local ordinances or regulations. Use only the battery in the appropriate parts listing when replacing the battery pack. Use of an incorrect battery can result in ignition or explosion of the battery.

La batterie contient du nickel. Ne la démontez pas, ne l'exposez ni au feu ni à l'eau. Ne la mettez pas en court-circuit. Pour la mettre au rebut, conformez-vous à la réglementation en vigueur. Lorsque vous remplacez la batterie, veillez à n'utiliser que les modèles cités dans la liste de pièces détachées adéquate. En effet, une batterie inappropriée risque de prendre feu ou d'exploser.

Akkus enthalten geringe Mengen von Nickel. Sie dürfen nicht zerlegt, wiederaufgeladen, kurzgeschlossen, oder Feuer oder Wasser ausgesetzt werden. Bei der Entsorgung die örtlichen Bestimmungen für Sondermüll beachten. Beim Ersetzen der Batterie nur Batterien des Typs verwenden, der in der Ersatzteilliste aufgeführt ist. Der Einsatz falscher Batterien kann zu Entzündung oder Explosion führen.

מארז הסוללה מכיל כמות קטנה של ניקל  
וקדמיום. אין לפרק את מארז הסוללה, להשליך  
אותו לאש או למים או לקצר אותו. יש לסלק את  
מארז הסוללה כנדרש על ידי התקנות  
והחוקים המקומיים. יש להשתמש רק בסוללה  
המופיעה ברשימת החלקים המתאימה בזמן החלפת  
מארז הסוללה. שימוש בסוללה לא מתאימה עלול  
לגרום להצתה או התפוצצות של הסוללה.

La batteria contiene piccole quantità di nichel. Non smontarla, gettarla nel fuoco o nell'acqua né cortocircuitarla. Smaltirla secondo la normativa in vigore (DPR 915/82, successive disposizioni e disposizioni locali). Quando si sostituisce la batteria, utilizzare soltanto i tipi inseriti nell'appropriato Catalogo parti. L'impiego di una batteria non adatta potrebbe determinare l'incendio o l'esplosione della batteria stessa.

Las baterías contienen pequeñas cantidades de níquel. No las desmonte, ni recargue, ni las eche al fuego o al agua ni las cortocircuite. Deséchelas tal como dispone la normativa local. Utilice sólo baterías que se encuentren en la lista de piezas al sustituir la batería. La utilización de una batería no apropiada puede provocar la ignición o explosión de la misma.

Safety notice 4



The lithium battery can cause a fire, an explosion, or a severe burn. Do not recharge it, remove its polarized connector, disassemble it, heat it above 100°C (212°F), incinerate it, or expose its cell contents to water. Dispose of the battery as required by local ordinances or regulations. Use only the battery in the appropriate parts listing. Use of an incorrect battery can result in ignition or explosion of the battery.

La pile de sauvegarde contient du lithium. Elle présente des risques d'incendie, d'explosion ou de brûlures graves. Ne la rechargez pas, ne retirez pas son connecteur polarisé et ne la démontez pas. Ne l'exposez pas à une température supérieure à 100°C, ne la faites pas brûler et n'en exposez pas le contenu à l'eau. Mettez la pile au rebut conformément à la réglementation en vigueur. Une pile inappropriée risque de prendre feu ou d'exploser.

Die Systematterie ist eine Lithiumatterie. Sie kann sich entzünden, explodieren oder schwere Verbrennungen hervorrufen. Batterien dieses Typs dürfen nicht aufgeladen, zerlegt, über 100 C erhitzt oder verbrannt werden. Auch darf ihr Inhalt nicht mit Wasser in Verbindung gebracht oder der zur richtigen Polung angebrachte Verbindungsstecker entfernt werden. Bei der Entsorgung die örtlichen Bestimmungen für Sondermüll beachten. Beim Ersetzen der Batterie nur Batterien des Typs verwenden, der in der Ersatzteilliste aufgeführt ist. Der Einsatz falscher Batterien kann zu Entzündung oder Explosion führen.

סוללת הליתיום עלולה לגרום לשריפה, להתפוצצות או לכוויות קשות. אין לטעון אותה מחדש, לסלק את המחבר המקוטב שלה, לפרק אותה או לחמם אותה לטמפרטורה העולה על 100 מעלות צלזיוס. אין לשרוף את הסוללה ואין לחשוף את תוכן התא למים. יש לסלק את הסוללה בנדרש בתקנות ובחוקים המקומיים. יש להשתמש רק בסוללה המופיעה ברשימת החלקים המתאימים. שימוש בסוללה אחרת עלול לגרום לסכנת שריפה או התפוצצות.

La batteria di supporto e una batteria al litio e puo incendiarsi, esplodere o procurare gravi ustioni. Evitare di ricaricarla, smontarne il connettore polarizzato, smontarla, riscaldarla ad una temperatura superiore ai 100 gradi centigradi, incendiarla o gettarla in acqua. Smaltirla secondo la normativa in vigore (DPR 915/82, successive disposizioni e disposizioni locali). L'impiego di una batteria non adatta potrebbe determinare l'incendio o l'esplosione della batteria stessa.

La batería de repuesto es una batería de litio y puede provocar incendios, explosiones o quemaduras graves. No la recargue, ni quite el conector polarizado, ni la desmonte, ni caliente por encima de los 100°C (212°F), ni la incinere ni exponga el contenido de sus celdas al agua. Deséchela tal como dispone la normativa local.

## Safety notice 5

If the LCD breaks and the fluid from inside the LCD gets into your eyes or on your hands, immediately wash the affected areas with water for at least 15 minutes. Seek medical care if any symptoms from the fluid are present after washing.

Si le panneau d'affichage à cristaux liquides se brise et que vous recevez dans les yeux ou sur les mains une partie du fluide, rincez-les abondamment pendant au moins quinze minutes. Consultez un médecin si des symptômes persistent après le lavage.

Die Leuchtstoffröhre im LCD-Bildschirm enthält Quecksilber. Bei der Entsorgung die örtlichen Bestimmungen für Sondermüll beachten. Der LCD-Bildschirm besteht aus Glas und kann zerbrechen, wenn er unsachgemäß behandelt wird oder der Computer auf den Boden fällt. Wenn der Bildschirm beschädigt ist und die darin befindliche Flüssigkeit in Kontakt mit Haut und Augen gerät, sollten die betroffenen Stellen mindestens 15 Minuten mit Wasser abgespült und bei Beschwerden anschließend ein Arzt aufgesucht werden.

אם מסך הגביש הנוזלי (LCD) נשבר והנוזל מתוך המסך בא במגע עם עיניכם או ידיכם, שטפו את האזורים הנגועים מיד במים במשך 15 דקות לפחות. פנו לקבלת עזרה רפואית אם תסמינים הנובעים מהמגע עם הנוזל נמשכים לאחר השטיפה.

Nel caso che caso l'LCD si dovesse rompere ed il liquido in esso contenuto entrasse in contatto con gli occhi o le mani, lavare immediatamente le parti interessate con acqua corrente per almeno 15 minuti; poi consultare un medico se i sintomi dovessero permanere.

Si la LCD se rompe y el fluido de su interior entra en contacto con sus ojos o sus manos, lave inmediatamente las áreas afectadas con agua durante 15 minutos como mínimo. Obtenga atención medica si se presenta algún síntoma del fluido despues de lavarse.

## Safety notice 6

 **DANGER**

To avoid shock, do not remove the plastic cover that protects the lower part of the inverter card.

Afin d'éviter tout risque de choc électrique, ne retirez pas le cache en plastique protégeant la partie inférieure de la carte d'alimentation.

Aus Sicherheitsgründen die Kunststoffabdeckung, die den unteren Teil der Spannungswandlerplatine umgibt, nicht entfernen.

כדי למנוע התחשמלות, אין להסיר את מכסה הפלסטיק המגן על חלקו התחתון של הכרטיס ההפוך.

Per evitare scosse elettriche, non rimuovere la copertura in plastica che avvolge la parte inferiore della scheda invertitore.

Para evitar descargas, no quite la cubierta de plástico que rodea la parte baja de la tarjeta invertida.

Safety notice 7



Though the main batteries have low voltage, a shorted or grounded battery can produce enough current to burn personnel or combustible materials.

Bien que le voltage des batteries principales soit peu élevé, le court-circuit ou la mise à la masse d'une batterie peut produire suffisamment de courant pour brûler des matériaux combustibles ou causer des brûlures corporelles graves.

Obwohl Hauptbatterien eine niedrige Spannung haben, können sie doch bei Kurzschluß oder Erdung genug Strom abgeben, um brennbare Materialien zu entzünden oder Verletzungen bei Personen hervorzurufen.

אף שהסוללות הראשיות הן בעלות מתח נמוך, סוללה מקוצרת או מוארקת עלולה להפיק זרם מספיק לגרימת כוויות או להצתת חומרים דליקים.

Sebbene le batterie di alimentazione siano a basso voltaggio, una batteria in corto circuito o a massa può fornire corrente sufficiente da bruciare materiali combustibili o provocare ustioni ai tecnici di manutenzione.

Aunque las baterías principales tienen un voltaje bajo, una batería cortocircuitada o con contacto a tierra puede producir la corriente suficiente como para quemar material combustible o provocar quemaduras en el personal.

Safety notice 8



Before removing any FRU, power off the computer, unplug all power cords from electrical outlets, remove the battery pack, and then disconnect any interconnecting cables.

Avant de retirer une unité remplaçable en clientèle, mettez le système hors tension, débranchez tous les cordons d'alimentation des socles de prise de courant, retirez la batterie et déconnectez tous les cordons d'interface.

Die Stromzufuhr muß abgeschaltet, alle Stromkabel aus der Steckdose gezogen, der Akku entfernt und alle Verbindungskabel abgenommen sein, bevor eine FRU entfernt wird.

לפני סילוק FRU כלשהו, יש לכבות את המחשב, לנתק את כל כבלי החשמל משקעי החשמל, להוציא את מארז הסוללה, ואז לנתק כבלי חיבור אחרים אם יש כאלה.

Prima di rimuovere qualsiasi FRU, spegnere il sistema, scollegare dalle prese elettriche tutti i cavi di alimentazione, rimuovere la batteria e poi scollegare i cavi di interconnessione.

Antes de quitar una FRU, apague el sistema, desenchufe todos los cables de las tomas de corriente eléctrica, quite la batería y, a continuación, desconecte cualquier cable de conexión entre dispositivos.

---

## Safety information

The following section presents safety information with which you need to be familiar before you service a ThinkPad computer.

### General safety

Follow these rules to ensure general safety:

- Observe good housekeeping in the area of the machines during and after maintenance.
- When lifting any heavy object:
  1. Make sure that you can stand safely without slipping.
  2. Distribute the weight of the object equally between your feet.
  3. Use a slow lifting force. Never move suddenly or twist when you attempt to lift.
  4. Lift by standing or by pushing up with your leg muscles; this action removes the strain from the muscles in your back. *Do not attempt to lift any object that weighs more than 16 kg (35 lb) or that you think is too heavy for you.*
- Do not perform any action that causes hazards to the customer, or that makes the equipment unsafe.
- Before you start the machine, make sure that other service representatives and the customer's personnel are not in a hazardous position.
- Place removed covers and other parts in a safe place, away from all personnel, while you are servicing the machine.
- Keep your toolbox away from walk areas so that other people will not trip over it.
- Do not wear loose clothing that can be trapped in the moving parts of a machine. Make sure that your sleeves are fastened or rolled up above your elbows. If your hair is long, fasten it.
- Insert the ends of your necktie or scarf inside clothing or fasten it with a nonconductive clip, about 8 centimeters (3 inches) from the end.
- Do not wear jewelry, chains, metal-frame eyeglasses, or metal fasteners for your clothing.

**Attention:** Metal objects are good electrical conductors.
- Wear safety glasses when you are hammering, drilling, soldering, cutting wire, attaching springs, using solvents, or working in any other conditions that might be hazardous to your eyes.
- After service, reinstall all safety shields, guards, labels, and ground wires. Replace any safety device that is worn or defective.
- Reinstall all covers correctly before returning the machine to the customer.
- Fan louvers on the machine help to prevent overheating of internal components. Do not obstruct fan louvers or cover them with labels or stickers.

### Electrical safety

Observe the following rules when working on electrical equipment.

**Important**

Use only approved tools and test equipment. Some hand tools have handles covered with a soft material that does not insulate you when working with live electrical currents.

Many customers have, near their equipment, rubber floor mats that contain small conductive fibers to decrease electrostatic discharges. Do not use this type of mat to protect yourself from electrical shock.

- Find the room emergency power-off (EPO) switch, disconnecting switch, or electrical outlet. If an electrical accident occurs, you can then operate the switch or unplug the power cord quickly.
  - Do not work alone under hazardous conditions or near equipment that has hazardous voltages.
  - Disconnect all power before:
    - Performing a mechanical inspection
    - Working near power supplies
    - Removing or installing main units
  - Before you start to work on the machine, unplug the power cord. If you cannot unplug it, ask the customer to power-off the wall box that supplies power to the machine, and to lock the wall box in the off position.
  - If you need to work on a machine that has *exposed* electrical circuits, observe the following precautions:
    - Ensure that another person, familiar with the power-off controls, is near you.  
**Attention:** Another person must be there to switch off the power, if necessary.
    - Use only one hand when working with powered-on electrical equipment; keep the other hand in your pocket or behind your back.  
**Attention:** An electrical shock can occur only when there is a complete circuit. By observing the above rule, you may prevent a current from passing through your body.
    - When using testers, set the controls correctly and use the approved probe leads and accessories for that tester.
    - Stand on suitable rubber mats (obtained locally, if necessary) to insulate you from grounds such as metal floor strips and machine frames.
- Observe the special safety precautions when you work with very high voltages; Instructions for these precautions are in the safety sections of maintenance information. Use extreme care when measuring high voltages.
- Regularly inspect and maintain your electrical hand tools for safe operational condition.
  - Do not use worn or broken tools and testers.
  - *Never assume* that power has been disconnected from a circuit. First, *check* that it has been powered off.
  - Always look carefully for possible hazards in your work area. Examples of these hazards are moist floors, nongrounded power extension cables, power surges, and missing safety grounds.
  - Do not touch live electrical circuits with the reflective surface of a plastic dental mirror. The surface is conductive; such touching can cause personal injury and machine damage.



- Do not service the following parts *with the power on* when they are removed from their normal operating places in a machine:
  - Power supply units
  - Pumps
  - Blowers and fans
  - Motor generatorsand similar units. (This practice ensures correct grounding of the units.)
- If an electrical accident occurs:
  - Use caution; do not become a victim yourself.
  - Switch off power.
  - Send another person to get medical aid.

## Safety inspection guide

The purpose of this inspection guide is to assist you in identifying potentially unsafe conditions. As each machine was designed and built, required safety items were installed to protect users and service personnel from injury. This guide addresses only those items. You should use good judgment to identify potential safety hazards due to attachment of non-ThinkPad features or options not covered by this inspection guide.

If any unsafe conditions are present, you must determine how serious the apparent hazard could be and whether you can continue without first correcting the problem.

Consider these conditions and the safety hazards they present:

- Electrical hazards, especially primary power (primary voltage on the frame can cause serious or fatal electrical shock)
- Explosive hazards, such as a damaged CRT face or a bulging capacitor
- Mechanical hazards, such as loose or missing hardware

To determine whether there are any potentially unsafe conditions, use the following checklist at the beginning of every service task. Begin the checks with the power off, and the power cord disconnected.

Checklist:

1. Check exterior covers for damage (loose, broken, or sharp edges).
2. Power off the computer. Disconnect the power cord.
3. Check the power cord for:
  - a. A third-wire ground connector in good condition. Use a meter to measure third-wire ground continuity for 0.1 ohm or less between the external ground pin and the frame ground.
  - b. The power cord should be the type specified in the parts list.
  - c. Insulation must not be frayed or worn.
4. Check for cracked or bulging batteries.
5. Remove the cover.
6. Check for any obvious non-ThinkPad alterations. Use good judgment as to the safety of any non-ThinkPad alterations.
7. Check inside the unit for any obvious unsafe conditions, such as metal filings, contamination, water or other liquids, or signs of fire or smoke damage.
8. Check for worn, frayed, or pinched cables.

9. Check that the power-supply cover fasteners (screws or rivets) have not been removed or tampered with.

## Handling devices that are sensitive to electrostatic discharge

Any computer part containing transistors or integrated circuits (ICs) should be considered sensitive to electrostatic discharge (ESD.) ESD damage can occur when there is a difference in charge between objects. Protect against ESD damage by equalizing the charge so that the machine, the part, the work mat, and the person handling the part are all at the same charge.

### Notes

1. Use product-specific ESD procedures when they exceed the requirements noted here.
2. Make sure that the ESD protective devices you use have been certified (ISO 9000) as fully effective.

When handling ESD-sensitive parts:

- Keep the parts in protective packages until they are inserted into the product.
- Avoid contact with other people.
- Wear a grounded wrist strap against your skin to eliminate static on your body.
- Prevent the part from touching your clothing. Most clothing is insulative and retains a charge even when you are wearing a wrist strap.
- Use the black side of a grounded work mat to provide a static-free work surface. The mat is especially useful when handling ESD-sensitive devices.
- Select a grounding system, such as those listed below, to provide protection that meets the specific service requirement.

### Note

The use of a grounding system to guard against ESD damage is desirable but not necessary.

- Attach the ESD ground clip to any frame ground, ground braid, or green-wire ground.
- When working on a double-insulated or battery-operated system, use an ESD common ground or reference point. You can use coax or connector-outside shells on these systems.
- Use the round ground prong of the ac plug on ac-operated computers.

## Grounding requirements

Electrical grounding of the computer is required for operator safety and correct system function. Proper grounding of the electrical outlet can be verified by a certified electrician.

## Laser compliance statement

Some models of ThinkPad computer are equipped from the factory with an optical storage device such as a CD-ROM drive or a DVD-ROM drive. Such devices are also sold separately as options. If one of these drives is installed, it is certified in the U.S. to conform to the requirements of the Department of Health and Human Services 21 Code of Federal Regulations (DHHS 21 CFR) Subchapter J for Class 1 laser products. Elsewhere, the drive is certified to conform to the requirements of the International Electrotechnical Commission (IEC) 825 and CENELEC EN 60 825 for Class 1 laser products.

If a CD-ROM drive, a DVD-ROM drive, or another laser device is installed, note the following:

**⚠ CAUTION:**

Use of controls or adjustments or performance of procedures other than those specified herein might result in hazardous radiation exposure.

O uso de controles, ajustes ou desempenho de procedimentos diferentes daqueles aqui especificados pode resultar em perigosa exposição à radiação.

凡未在这里指明的任何控制用法、调整、行为，都会导致严重后果。

Pour éviter tout risque d'exposition au rayon laser, respectez les consignes de réglage et d'utilisation des commandes, ainsi que les procédures décrites.

Werden Steuer- und Einstellelemente anders als hier festgesetzt verwendet, kann gefährliche Laserstrahlung auftreten.

Az itt előírt eljárásoktól, beállítástól és vezérlésektől eltérni a lézersugárzás veszélye miatt kockázatos!

L'utilizzo di controlli, regolazioni o l'esecuzione di procedure diverse da quelle specificate possono provocare l'esposizione a.

Использование элементов настройки и выполнение процедур иных, чем указано здесь, может привести к опасному радиационному облучению.

Použitie kontrol, úprav alebo iných vykonaní od iných výrobcov, ako je v tomto špecifikované, mohlo by mať za následok nebezpečenstvo vystavenia sa vyžiarovaniu.

El uso de controles o ajustes o la ejecución de procedimientos distintos de los aquí especificados puede provocar la exposición a radiaciones peligrosas.

Opening the CD-ROM drive, the DVD-ROM drive, or any other optical storage device could result in exposure to hazardous laser radiation. There are no serviceable parts inside those drives. **Do not open.**

## Lasert COMPLIANCE STATEMENT

A CD-ROM drive, a DVD-ROM drive, or any other storage device installed may contain an embedded Class 3A or Class 3B laser diode. Note the following:

### DANGER

Emits visible and invisible laser radiation when open. Do not stare into the beam, do not view directly with optical instruments, and avoid direct exposure to the beam.

Radiação por raio laser ao abrir. Não olhe fixo no feixe de luz, não olhe diretamente por meio de instrumentos óticos e evite exposição direta com o feixe de luz.

开启时会有激光发射时，请勿盯视激光光束，请勿直接查看视觉仪器，并且避免直接接触在激光光束之中。

Rayonnement laser si carter ouvert. Évitez de fixer le faisceau, de le regarder directement avec des instruments optiques, ou de vous exposer au rayon.

Laserstrahlung bei geöffnetem Gerät. Nicht direkt oder über optische Instrumente in den Laserstrahl sehen und den Strahlungsbereich meiden.

Kinyitáskor lézersugár ! Ne nézzen bele se szabad szemmel, se optikai eszközökkel. Kerülje a sugárnyalábbal való érintkezést !

Aperto l'unità vengono emesse radiazioni laser. Non fissare il fascio, non guardarlo direttamente con strumenti ottici e evitare l'esposizione diretta al fascio.

Открывая, берегитесь лазерного излучения. Не смотрите на луч, не разглядывайте его с помощью оптических инструментов, а также избегайте прямого воздействия лазерного луча.

Keď je laserová jednotka otvorená. Vyhnite sa priamemu pohľadu a nehládte priamo s optickými nástrojmi do lúča a vyhnite sa priamemu vystaveniu lúčov.

Radiación láser al abrir. No mire fijamente ni examine con instrumental óptico el haz de luz. Evite la exposición directa al haz.

---

## General descriptions

The descriptions in this chapter apply to any ThinkPad model that has the PC-Doctor<sup>®</sup> for DOS diagnostics program. Some descriptions might not apply to your particular computer.

---

### Read this first

Before you go to the checkout guide, be sure to read this section.

#### Important notes

- **Only certified trained personnel should service the computer.**
- **Before replacing any FRU, read the entire page on removing and replacing FRUs.**
- **When you replace FRUs, use new nylon-coated screws.**
- **Be extremely careful during such write operations as copying, saving, or formatting.** Drives in the computer that you are servicing sequence might have been altered. If you select an incorrect drive, data or programs might be overwritten.
- **Replace a FRU only with another FRU of the correct model.** When you replace a FRU, make sure that the model of the machine and the FRU part number are correct by referring to the FRU parts list.
- **A FRU should not be replaced because of a single, unreproducible failure.** Single failures can occur for a variety of reasons that have nothing to do with a hardware defect, such as cosmic radiation, electrostatic discharge, or software errors. Consider replacing a FRU only when a problem recurs. If you suspect that a FRU is defective, clear the error log and run the test again. If the error does not recur, do not replace the FRU.
- **Be careful not to replace a nondefective FRU.**

### What to do first

When you do return a FRU, you must include the following information in the parts exchange form or parts return form that you attach to it:

- \_\_\_ 1. Name and phone number of servicer
- \_\_\_ 2. Date of service
- \_\_\_ 3. Date on which the machine failed
- \_\_\_ 4. Date of purchase
- \_\_\_ 5. Failure symptoms, error codes appearing on the display, and beep symptoms
- \_\_\_ 6. Procedure index and page number in which the failing FRU was detected
- \_\_\_ 7. Failing FRU name and part number
- \_\_\_ 8. Machine type, model number, and serial number
- \_\_\_ 9. Customer's name and address

#### Note for warranty:

During the warranty period, the customer may be responsible for repair costs if the computer damage was caused by misuse, accident, modification, unsuitable physical or operating environment, or improper maintenance by the customer.

## *Read this first*

Following is a list of some common items that are not covered under warranty and some symptoms that might indicate that the system was subjected to stress beyond normal use.

Before checking problems with the computer, determine whether the damage is covered under the warranty by referring to the following list:

**The following are not covered under warranty:**

- LCD panel cracked from the application of excessive force or from being dropped
- Scratched (cosmetic) parts
- Distortion, deformation, or discoloration of the cosmetic parts
- Plastic parts, latches, pins, or connectors that have been cracked or broken by excessive force
- Damage caused by liquid spilled into the system
- Damage caused by the improper insertion of a PC Card or the installation of an incompatible card
- Improper disc insertion or use of an optical drive
- Diskette drive damage caused by pressure on the diskette drive cover, foreign material in the drive, or the insertion of a diskette with multiple labels
- Damaged or bent diskette eject button
- Fuses blown by attachment of a nonsupported device
- Forgotten computer password (making the computer unusable)
- Sticky keys caused by spilling a liquid onto the keyboard
- Use of an incorrect ac adapter on laptop products

**The following symptoms might indicate damage caused by nonwarranted activities:**

- Missing parts might be a symptom of unauthorized service or modification.
- If the spindle of a hard disk drive becomes noisy, it may have been subjected to excessive force, or dropped.

## Related service information

This section provides information about the following:

- “Service Web site”
- “Restoring the factory contents by using Product Recovery discs”
- “Passwords” on page 22
- “Power management” on page 24

### Service Web site

When the latest maintenance diskette and the system program service diskette become available, they will be posted on <http://www.lenovo.com/spm>

### Restoring the factory contents by using Product Recovery discs

When the hard disk drive is replaced because of a failure, no Product Recovery program is on the new hard disk. In this case, you must use the recovery discs for the computer. Order the recovery discs and the hard disk drive at the same time so that you can recover the new hard disk drive with the pre-installed software when they arrive. For information on which discs to order, see “Recovery discs” on page 186.

To install the factory contents by using Product Recovery discs, do the following:

#### Note

The recovery process might take up to 2 hours.

1. Insert the **Rescue and Recovery™ Disk1 of 1** into the optical drive, then restart the computer. This will take several minutes.
2. When the “Welcome to Rescue and Recovery” screen is displayed, press **Continue**. In the Rescue and Recovery menu, select **Restore Your System**. A message giving a warning that USB devices used in recovery must be connected when the computer is turned on appears. Click **OK**.
3. “Restore Your System” window appears. Select **Restore my hard drive to the original factory state**, and click **Next**. A warning appears, click **Yes**. Then next menu appears. Select **I do not want to save any files** and click **Next**. Following menu appears with a warning, select **Next**. A warning appears not to power down the computer during the recovery process. Click **OK**. One more warning appears saying that recovery is intended only for unrecoverable system problems. Click **OK**.
4. The Terms and Conditions window appears, select **I accept these terms and conditions** and press **OK**. Previous menus may remain on the screen, but the Predesktop installer begins copying files. When this completes, the computer will restart and a window will ask you to insert a Product Recovery Supplemental Disk, if you have one. Press **No**.
5. You will then be prompted to insert Product Recovery Disk 1 into the optical drive. Insert the Product Recovery Disk 1 into the optical drive, and press **OK**. In similar fashion, you will be prompted to insert the remaining recovery discs until all the files are copied.
6. After all the files are copied, the computer will restart and return to the “Welcome to Rescue and Recovery” screen where a window “Recovering your system, this may take several minutes” appears and .IMZ files are processed.

A total progress bar allows you to audit this process, which will take about 8 minutes. The final recovery disc may be safely removed during this time, but may also be left in the optical drive since it is not bootable.

7. You will then be prompted to restart the computer. Select **Yes**. A warning window appears, giving you one last chance to stop the restart, but disappears automatically after about 5 seconds. File processing continues in DOS full screen mode for about two minutes and the computer restarts to the Windows® desktop. No user intervention is required (and should be avoided) after this point.
8. Windows setup continues on the desktop and DOS window for IBM system setup, with progress measured by a Factory Preinstallation window on the right side of the screen. The processes are updating installed softwares.  
A warning that antivirus software is not installed appears repeatedly in the system tray, but this should be ignored. The entire process at desktop takes about 25 minutes.
9. Then the computer restarts, does some more DOS full screen processing, and restarts again to a Windows desktop where factory preinstallation continues for about 12 more minutes, another restart to a DOS screen and then back to the Windows splash screen and back to the desktop for more preinstallation.  
This lasts about 10 more minutes and the computer restarts to do NTFS conversion and then restarts to the OOBE (Out of Box Experience) environment.

## Passwords

As many as three passwords may be needed for any ThinkPad computer: the power-on password (POP), the hard-disk password (HDP), and the supervisor password (SVP).

If any of these passwords has been set, a prompt for it appears on the screen whenever the computer is turned on. The computer does not start until the password is entered.

**Exception:** If only an SVP is installed, the password prompt does not appear when the operating system is booted.

### *Power-on password:*

A power-on password (POP) protects the system from being powered on by an unauthorized person. The password must be entered before an operating system can be booted.

### *Hard-disk password:*

There are two hard-disk passwords (HDPs):

- User HDP—for the user
- Master HDP—for the system administrator, who can use it to get access to the hard disk even if the user has changed the user HDP

**Note:** There are two modes for the HDP: **User only** and **Master + User**. The **Master + User** mode requires two HDPs; the system administrator enters both in the same operation. The system administrator then provides the user HDP to the system user.



**Attention:** If the user HDP has been forgotten, check whether a master HDP has been set. If it has, it can be used for access to the hard disk drive. If no master HDP is available, neither Lenovo nor Lenovo authorized servicers provide any services to reset either the user or the master HDP, or to recover data from the hard disk drive. The hard disk drive can be replaced for a scheduled fee.

**Supervisor password:**

A supervisor password (SVP) protects the system information stored in the BIOS Setup Utility. The user must enter the SVP in order to get access to the BIOS Setup Utility and change the system configuration.

**Attention:** If the SVP has been forgotten and cannot be made available to the servicer, there is no service procedure to reset the password. The system board must be replaced for a scheduled fee.

### How to remove the power-on password

To remove a POP that you have forgotten, do the following:

(A) *If no SVP has been set:*

1. Turn off the computer.
2. Remove the battery pack.  
For how to remove the battery pack, see "1010 Battery pack" on page 56.
3. Remove the backup battery.  
For how to remove the backup battery, see "1140 Backup battery" on page 78.
4. Turn on the computer and wait until the POST ends.  
After the POST ends, the password prompt does not appear. The POP has been removed.
5. Reinstall the backup battery and the battery pack.

(B) *If an SVP has been set and is known by the servicer:*

1. Turn on the computer; then, while the "To interrupt normal startup, press the blue ThinkVantage button" message is displayed at the lower-left of the screen, press the ThinkVantage® button. The Rescue and Recovery screen opens.  
For models supporting the Passphrase function, press F1 while the POP icon is appearing on the screen; then enter the POP. For the other models, enter the POP.

**Note:** To check whether the ThinkPad computer supports the Passphrase function, enter the BIOS Setup Utility and go to **Security --> Password**. If the **Using Passphrase** item is displayed in the menu, this function is available on the ThinkPad computer.

2. Click **Access BIOS**. The system Restart Required window is displayed.
3. Click **Yes**. The computer restarts, and the BIOS Setup Utility screen opens.
4. Select **Security**, using the cursor directional keys to move down the menu.
5. Select **Password**.
6. Select **Power-On Password**.
7. Type the current SVP in the **Enter Current Password** field. then leave the **Enter New Password** field blank, and press Enter twice.
8. In the Changes have been saved window, press Enter.
9. Press F10; then, in the Setup confirmation window, select **Yes** .

## How to remove the hard-disk password

**Attention:** If **User only** mode is selected and the user HDP has been forgotten and cannot be made available to the servicer, neither Lenovo nor Lenovo authorized servicers provide any services to reset the user HDPs or to recover data from the hard disk drive. The hard disk drive can be replaced for a scheduled fee.

To remove a user HDP that has been forgotten, when the SVP and the master HDP are known, do the following:

1. Turn on the computer; then, while the “To interrupt normal startup, press the blue ThinkVantage button” message is displayed at the lower-left of the screen, press the ThinkVantage button. The Rescue and Recovery screen opens.

For models supporting the Passphrase function, press F1 while HDP icon is appearing on the screen; then enter the master HDP. For the other models, enter the master HDP.

**Note:** To check whether the ThinkPad computer supports the Passphrase function, enter the BIOS Setup Utility and go to **Security --> Password**. If **Using Passphrase** item is displayed in the menu, this function is available on the ThinkPad computer.

2. Click **Access BIOS**. The system Restart Required window is displayed.
3. Click **Yes**. The computer restarts, and the BIOS Setup Utility screen opens.
4. Select **Security**, using the cursor directional keys to move down the menu.
5. Select **Password**.
6. Select **Hard-disk x password**, where *x* is the letter of the hard disk drive. A pop-up window opens.
7. Select **Master HDP**.
8. Type the current master HDP in the **Enter Current Password** field. then leave the **Enter New Password** field blank, and press Enter twice.
9. Press F10.
10. Select **Yes** in the Setup Configuration window.  
Both user HDP and master HDP will have been removed.

## Power management

To reduce power consumption, the computer has three power management modes: screen blank, standby, and hibernation.

### Screen blank mode

Screen blank mode has three variants, as follows:

1. If you press Fn+F3, or if the time set on the “LCD off timer” in the BIOS Setup Utility expires,
  - The LCD backlight turns off.
  - The hard disk drive motor stops.
  - The speaker is muted.
2. If you are using the Advanced Configuration and Power Interface (ACPI) operating system and you press Fn+F3,
  - The LCD backlight turns off.
  - The hard disk drive motor stops.
3. If the time set on the “Turn off monitor” timer in the operating system expires,
  - The LCD backlight turns off.

To end screen blank mode and resume normal operation, press any key.

## Standby mode

When the computer enters standby mode, the following events occur in addition to what occurs in screen blank mode:

- The LCD is powered off.
- The hard disk drive is powered off.
- The CPU stops.

To enter standby mode, press Fn+F4.

**Note:** If you are using the ACPI operating system, you can change the action of Fn+F4.

In certain circumstances, the computer goes into standby mode automatically:

- If a “suspend time” has been set on the timer, and the user does not do any operation with the keyboard, the TrackPoint®, the hard disk, the parallel connector, or the diskette drive within that time.
- If the battery indicator blinks orange, indicating that the battery power is low. (Alternatively, if **Hibernate when battery becomes low** has been selected in the “Power Management Properties” window, the computer goes into hibernation mode.)

To cause the computer to return from standby mode and resume operation, do one of the following:

- Press the Fn key.
- Open the LCD cover.
- Turn on the power switch.

Also, in either of the following events, the computer automatically returns from standby mode and resumes operation:

- The ring indicator (RI) is signaled by a serial device or a PC Card device. (*Windows 2000 does not support the ring indicator (RI) resume by PC Card device.*)
- The time set on the resume timer elapses.

**Note:** The computer does not accept any input immediately after it enters standby mode. Wait a few seconds before taking any action to reenter operation mode.

## Hibernation mode

In hibernation mode, the following occurs:

- The system status, RAM, VRAM, and setup data are stored on the hard disk.
- The system is powered off.

**Note:** If the computer enters the hibernation mode while it is docked to the docking station, do not undock it before resuming normal operation. If you do undock it and then try to resume normal operation, you will get an error message, and you will have to restart the system.

To cause the computer to enter hibernation mode, do any of the following:

- Press the Fn+F12 keys.
- If you are using the ACPI operating system and have defined one of the following actions as the event that causes the system to go into hibernation mode, perform that action.
  - Closing the lid.
  - Pressing the power button.

## *Related service information*

- Pressing Fn+F4 keys.

Also, the computer goes into hibernation mode automatically in either of the following conditions:

- If a “hibernation time” has been set on the timer, and if the user does not do any operation with the keyboard, the TrackPoint, the hard disk drive, the parallel connector, or the diskette drive within that time.
- If the timer conditions are satisfied in suspend mode.

When the power is turned on, the computer returns from hibernation mode and resumes operation. The hibernation file in the boot record on the hard disk drive is read, and system status is restored from the hard disk drive.

---

## Checkout guide

Use the following procedures as a guide in identifying and correcting problems with the ThinkPad computer.

**Note:** The diagnostic tests are intended to test only ThinkPad products. The use of non-ThinkPad products, prototype cards, or modified options can lead to false indications of errors and invalid system responses.

1. Identify the failing symptoms in as much detail as possible.
2. Verify the symptoms. Try to re-create the failure by running the diagnostic test or by repeating the operation.

## Testing the computer

The ThinkPad computer has a test program called PC-Doctor<sup>®</sup> for DOS (hereafter called *PC-Doctor*). You can detect errors by running the diagnostics test included in PC-Doctor. This section is an overview of the procedure. For details that depend on model-unique functions, refer to “Product overview” on page 34.

For some possible configurations of the computer, PC-Doctor might not run correctly. To avoid this problem, you need to initialize the computer setup by use of the BIOS Setup Utility before you run PC-Doctor. On the BIOS Setup Utility screen, press F9, Enter, F10, and then Enter.

**Note:** When you initialize the computer configuration, some devices are disabled, such as the serial port. If you test one of these devices, you will need to enable it by using PS2.EXE.

PC-Doctor cannot be used to test a device that is in the docking station, even if the computer supports the docking station. To test a USB device, connect it to the USB connector of the computer. To test the Ultrabay device, install it in the Ultrabay Slim slot of the computer.

### Creating the PC-Doctor diagnostics diskette

In X60, the PC-Doctor disk can be created by using the ThinkVantage Rescue and Recovery.

To create the PC-Doctor disk from the , do as follows:

1. Enter the ThinkVantage Rescue and Recovery application by pressing the blue ThinkVantage button during POST.
2. When the ThinkVantage Rescue and Recovery application finishes loading, double-click the "Create diagnostic diskettes" icon.
3. It will take about 15 seconds to authenticate the digital signature, and then the ThinkPad computer will reboot into PC-DOS.
4. A batch file will automatically start up to prompt the user through creating the boot diskettes. The user will be informed how many diskettes will be needed.
  - a. The user will be prompted to insert each diskette in sequence.
  - b. Typically, the user only needs to press the Enter key for the proper floppy drive to format and create the diskette.
  - c. Each diskette will be erased and formatted with the PC-Doctor for DOS boot image.
5. Once all the diskettes have been created, the ThinkPad computer will reboot. The user is asked to remove all diskettes from the drive, or to insert the first diskette created if it is desired to run the diagnostics.

To run the test, do as follows:

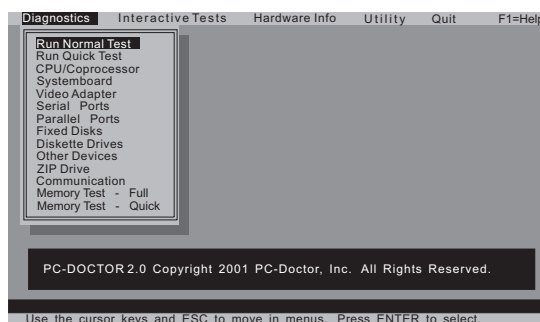
**Note:** In the following procedure, you can select an item not only with the arrow keys, but also with the TrackPoint. Instead of pressing Enter, click the left button.

1. Insert the PC-Doctor disk into the diskette drive; then power on the computer. If the computer cannot be powered on, go to "Power system checkout" on page 30, and check the power sources. If an error code appears, go to "Symptom-to-FRU index" on page 43. On the first screen, select the model and press Enter. Follow the instructions on the screen.
2. The main panel of PC-Doctor appears.
3. Select **Diagnostics** with the arrow keys, and press Enter. A pull-down menu appears. (Its exact form depends on the model.)

**Note:** PC-Doctor menu does not mean the formal support device list. Some unsupported device names may appear in the PC-Doctor menu.

The options on the test menu are as follows:

| Diagnostics   | Interactive Tests   |
|---|---|
| <ul style="list-style-type: none"> <li>• Run Normal Test</li> <li>• Run Quick Test</li> <li>• CPU/Coprocessor</li> <li>• Systemboard</li> <li>• Video Adapter</li> <li>• Serial Ports</li> <li>• Parallel Ports</li> <li>• Fixed Disks</li> <li>• Diskette Drives</li> <li>• Other Devices</li> <li>• ThinkPad Devices</li> <li>• Communication</li> <li>• Wireless LAN</li> <li>• Memory Test – Full</li> <li>• Memory Test – Quick</li> </ul>   | <ul style="list-style-type: none"> <li>• Keyboard</li> <li>• Video</li> <li>• Internal Speaker</li> <li>• Mouse</li> <li>• Diskette</li> <li>• System Load</li> <li>• Optical Drive Test</li> <li>• Intel Wireless Radio</li> </ul> |
| <p><b>Notes:</b></p> <ul style="list-style-type: none"> <li>• In the <b>Keyboard</b> test in <b>Interactive Tests</b>, the <b>Fn</b> key should be held down for at least 2 seconds; otherwise, it cannot be sensed.</li> <li>• <b>Video Adapter</b> test supports only the LCD display on the ThinkPad computer. If you have an external monitor attached to your computer, detach it before running PC-Doctor for DOS.</li> <li>• To test <b>Digital Signature Chip</b>, the chip must be enabled.</li> <li>• To test <b>Serial Ports</b> or <b>Parallel Ports</b>, the ThinkPad computer must be attached to the ThinkPad X6 UltraBase.</li> </ul> |   |



4. Run the applicable function test.
5. Follow the instructions on the screen. If there is a problem, PC-Doctor shows messages describing it.
6. To exit the test, select **Quit — Exit Diag.**  
To cancel the test, press Esc.

**Note:** After executing PC-Doctor, check the system time/date and reset them if needed.

## Detecting system information with PC-Doctor

PC-Doctor can detect the following system information:

### Hardware Info

- System Configuration
- Memory Contents
- Physical Disk Drives
- Logical Disk Drives
- VGA Information
- IDE Drive Info
- PCI Information

- PNPISA Info
- SMBIOS Info
- VESA LCD Info
- Hardware Events Log

### Utility

- Run External Tests
- Surface Scan Hard Disk
- Benchmark System
- DOS Shell
- Tech Support Form
- Battery Rundown
- View Test Log
- Print Log
- Save Log
- Full Erase Hard Drive
- Quick Erase Hard Drive

### PC-Doctor for Windows

This product is designed to help you troubleshoot and resolve problems related to your computer. Select one of the categories listed below to display symptoms and solutions:

- CHECK SYSTEM HEALTH
- SYSTEM AND DEVICE TESTS
- LENOVO TROUBLESHOOTING
- CENTER
- SYSTEM REPORTS
- UPDATES AND SUPPORT

## Power system checkout

To verify a symptom, do the following:

1. Power off the computer.
2. Remove the battery pack.
3. Connect the ac adapter.
4. Check that power is supplied when you power on the computer.
5. Power off the computer.
6. Disconnect the ac adapter and install the charged battery pack.
7. Check that the battery pack supplies power when you power on the computer.

If you suspect a power problem, see the appropriate one of the following power supply checkouts:

- "Checking the ac adapter"
- "Checking operational charging" on page 31
- "Checking the battery pack" on page 31
- "Checking the backup battery" on page 32

### Checking the ac adapter

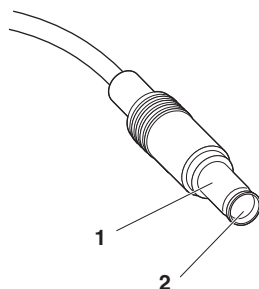
You are here because the computer fails only when the ac adapter is used:

- If the power problem occurs only when the port replicator is used, replace the port replicator.
- If the power-on indicator does not turn on, check the power cord of the ac adapter for correct continuity and installation.
- If the computer does not charge during operation, go to "Checking operational charging."

To check the ac adapter, do the following:



1. Unplug the ac adapter cable from the computer.
2. Measure the output voltage at the plug of the ac adapter cable. See the following figure:



| Pin | Voltage (V dc) |
|-----|----------------|
| 1   | Ground         |
| 2   | +19.5 to +21.0 |

3. If the voltage is not correct, replace the ac adapter.
4. If the voltage is acceptable, do the following:
  - Replace the system board.
  - If the problem persists, go to “Product overview” on page 34.

**Note:** Noise from the ac adapter does not always indicate a defect.

### Checking operational charging

To check whether the battery charges properly during operation, use a discharged battery pack or a battery pack that has less than 50% of the total power remaining when installed in the computer.

Perform operational charging. If the battery status indicator or icon does not turn on, remove the battery pack and let it return to room temperature. Reinstall the battery pack. If the charge indicator or icon still does not turn on, replace the battery pack.

If the charge indicator still does not turn on, replace the system board. Then reinstall the battery pack. If it is still not charged, go to the next section.

### Checking the battery pack

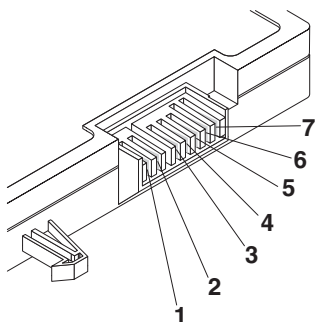
Battery charging does not start until the Power Meter shows that less than 95% of the total power remains; under this condition the battery pack can charge to 100% of its capacity. This protects the battery pack from being overcharged or from having a shortened life.

To check the status of your battery, move your cursor to the Power Meter icon in the icon tray of the Windows taskbar and wait for a moment (but do not click), and the percentage of battery power remaining is displayed. To get detailed information about the battery, double-click the Power Meter icon.

**Note:** If the battery pack becomes hot, it may not be able to charge. Remove it from the computer and leave it at room temperature for a while. After it cools down, reinstall and recharge it.

To check the battery pack, do the following:

1. Power off the computer.
2. Remove the battery pack and measure the voltage between battery terminals 1 (+) and 5 (-). See the following figure:



| Terminal | Voltage (V dc) |
|----------|----------------|
| 2        | + 0 to + 14.4  |
| 6        | Ground (-)     |

- If the voltage is less than +14.4 V dc, the battery pack has been discharged.

**Note:** Recharging will take at least 3 hours, even if the indicator does not turn on.

If the voltage is still less than +14.4 V dc after recharging, replace the battery.

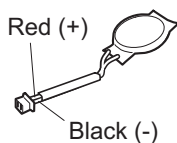
- If the voltage is more than +14.4 V dc, measure the resistance between battery terminals 4 and 5. The resistance must be 4 to 30 K  $\Omega$ .

If the resistance is not correct, replace the battery pack. If the resistance is correct, replace the system board.

### Checking the backup battery

Do the following:

- Power off the computer, and unplug the ac adapter from it.
- Turn the computer upside down.
- Remove the battery pack (see "1010 Battery pack" on page 56).
- Remove the backup battery (see "1140 Backup battery" on page 78).
- Measure the voltage of the backup battery. See the following figure.



| Wire  | Voltage (V dc) |
|-------|----------------|
| Red   | +2.5 to +3.2   |
| Black | Ground         |

- If the voltage is correct, replace the system board.
- If the voltage is not correct, replace the backup battery.
- If the backup battery discharges quickly after replacement, replace the system board.

## ThinkPad X60, X60s, X61, and X61s

|  |    |   |     |
|--|----|---|-----|
| Product overview . . . . .                                     | 34 | 1200 System board and lower case assembly with label. . . . . | 89  |
| Specifications . . . . .                                       | 34 | 1210 Fansink . . . . .  | 92  |
| Status indicators for X60, X60s, X61, and X61s . . . . .       | 37 | 2010 LCD bezel . . . . .                                      | 93  |
| FRU tests . . . . .  | 39 | 2020 Inverter card . . . . .                                  | 96  |
| Fn key combinations . . . . .                                  | 41 | 2030 <i>Bluetooth</i> daughter card . . . . .                 | 97  |
| Symptom-to-FRU index . . . . .                                 | 43 | 2040 LCD . . . . .  | 98  |
| Numeric error codes . . . . .                                  | 43 | 2050 Wireless WAN retractable antenna . . . . .               | 101 |
| Error messages . . . . .                                       | 47 | 2060 Wireless WAN antenna cable (SPWG) . . . . .              | 102 |
| Beep symptoms . . . . .  | 49 | 2070 Wireless LAN antenna cables (SPWG) . . . . .             | 103 |
| No-beep symptoms . . . . .                                     | 49 | 2080 Hinges . . . . .   | 105 |
| LCD-related symptoms . . . . .                                 | 50 | 2090 Wireless LAN antenna cables (TMD) . . . . .              | 109 |
| Intermittent problems . . . . .                                | 51 | 2100 Wireless WAN antenna cable (TMD) . . . . .               | 111 |
| Undetermined problems . . . . .                                | 51 | 2110 LCD panel and LCD cable . . . . .                        | 113 |
| FRU replacement notices . . . . .                              | 52 | Locations . . . . .   | 115 |
| Screw notices . . . . .  | 52 | Front view for ThinkPad X60, X60s, X61, and X61s . . . . .    | 115 |
| Retaining serial numbers . . . . .                             | 52 | Rear view for ThinkPad X60, X60s, X61, and X61s . . . . .     | 116 |
| Restoring the serial number of the system unit . . . . .       | 53 | Bottom view for ThinkPad X60, X60s, X61, and X61s . . . . .   | 117 |
| Retaining the UUID . . . . .                                   | 53 | Rear View for ThinkPad X6 UltraBase . . . . .                 | 118 |
| Reading or writing the ECA information . . . . .               | 53 | Bottom View for ThinkPad X6 UltraBase . . . . .               | 118 |
| Removing and replacing a FRU. . . . .                          | 55 | Parts list . . . . .  | 119 |
| 1010 Battery pack . . . . .                                    | 56 | Overall . . . . .   | 119 |
| 1020 Hard disk drive (2.5-inch) and HDD rubber rails . . . . . | 57 | LCD FRUs . . . . .  | 181 |
| 1030 DIMM cover . . . . .                                      | 59 | 12.1-in. XGA TFT . . . . .                                    | 181 |
| 1040 DIMM . . . . .  | 60 | Keyboard . . . . .  | 184 |
| 1050 Keyboard . . . . .  | 61 | Recovery discs . . . . .                                      | 186 |
| 1060 Upper case . . . . .                                      | 65 | For Windows XP Professional SP2 CDs . . . . .                 | 186 |
| 1070 Fingerprint reader . . . . .                              | 68 | For Windows XP Home Edition CDs . . . . .                     | 190 |
| 1080 Hard disk (1.8-inch) . . . . .                            | 69 | For Windows Vista Business (32 bit) DVDs . . . . .            | 191 |
| 1090 Hard disk housing (1.8-inch) . . . . .                    | 70 | Miscellaneous parts . . . . .                                 | 193 |
| 1100 Wireless WAN PCI Express Mini card . . . . .              | 71 | AC adapters . . . . .   | 194 |
| 1110 Intel Turbo Memory card . . . . .                         | 73 | Common parts list. . . . .                                    | 195 |
| 1120 Wireless LAN PCI Express Mini card . . . . .              | 74 | Tools . . . . .   | 195 |
| 1130 MDC . . . . .   | 77 | Power cords . . . . .   | 195 |
| 1140 Backup battery . . . . .                                  | 78 | Notices . . . . .   | 197 |
| 1150 Second Fan . . . . .                                      | 79 | Trademarks . . . . .  | 198 |
| 1160 Speaker . . . . .   | 80 |   |     |
| 1170 DC-in and RJ-11 connectors . . . . .                      | 81 |   |     |
| 1180 LCD assembly . . . . .                                    | 82 |   |     |
| 1190 Hard disk sub-card . . . . .                              | 88 |   |     |

## Product overview

This section presents the following product-unique information:

- “Specifications”
- “Status indicators for X60, X60s, X61, and X61s” on page 37
- “FRU tests” on page 39
- “Fn key combinations” on page 41

## Specifications

| Feature                        | Description   |
|--------------------------------|---|
| Processor                      | <ul style="list-style-type: none"> <li>• Intel® Core™2 Duo processor T7200, Standard Voltage (2.00 GHz, 667 MHz FSB, 4 MB L2 cache)</li> <li>• Intel Core 2 Duo processor T5600, Standard Voltage (1.83 GHz, 667 MHz FSB, 2 MB L2 cache)</li> <li>• Intel Core 2 Duo processor T5500, Standard Voltage (1.66 GHz, 667 MHz FSB, 2 MB L2 cache)</li> <li>• Intel Core Duo processor T2500, Standard Voltage (2.00 GHz, 667 MHz FSB, 2 MB L2 cache)</li> <li>• Intel Core Duo processor T2400, Standard Voltage (1.83 GHz, 667 MHz FSB, 2 MB L2 cache)</li> <li>• Intel Core Duo processor T2300, Standard Voltage (1.66 GHz, 667 MHz FSB, 2 MB L2 cache)</li> <li>• Intel Core Duo processor T2300E, Standard Voltage (1.66 GHz, 667 MHz FSB, 2 MB L2 cache)</li> <li>• Intel Core Solo processor T1300, Standard Voltage (1.66 GHz, 667 MHz FSB, 2 MB L2 cache)</li> <li>• Intel Core 2 Duo processor L7400, Low Voltage (1.50 GHz, 667 MHz FSB, 4 MB L2 cache)</li> <li>• Intel Core Duo processor L2400, Low Voltage (1.66 GHz, 667 MHz FSB, 2 MB L2 cache)</li> <li>• Intel Core Duo processor L2300, Low Voltage (1.50 GHz, 667 MHz FSB, 2 MB L2 cache)</li> <li>• Intel Core Solo processor U1400, Ultra Low Voltage (1.20 GHz, 533 MHz FSB, 2 MB L2 cache)</li> <li>• Intel Core Solo processor U1300, Ultra Low Voltage (1.06 GHz, 533 MHz FSB, 2 MB L2 cache)</li> </ul> |
| Memory (standard and optional) | <ul style="list-style-type: none"> <li>• 256-MB DDR2-667 SDRAM SO-DIMM (PC2-5300) card</li> <li>• 512-MB DDR2-667 SDRAM SO-DIMM (PC2-5300) card</li> <li>• 1-GB DDR2-667 SDRAM SO-DIMM (PC2-5300) card</li> <li>• 2-GB DDR2-667 SDRAM SO-DIMM (PC2-5300) card</li> <li>• 2-GB DDR2-533 SDRAM SO-DIMM (PC2-4200) card</li> </ul>   |
| Bus architecture               | <ul style="list-style-type: none"> <li>• HUB link</li> <li>• PCI bus</li> <li>• LPC bus</li> </ul>  |

(continued)

| Feature                          | Description  |
|----------------------------------|--|
| Video                            | <ul style="list-style-type: none"> <li>Graphics chip: Intel 945GM</li> <li>Total video memory: UMA, 128MB max</li> </ul>   |
| CMOS RAM                         | <ul style="list-style-type: none"> <li>242 bytes</li> </ul>  |
| Hard disk drive                  | <ul style="list-style-type: none"> <li>30.0 GB, 1.8-inch, PATA interface</li> <li>40.0 GB, 1.8-inch, PATA interface</li> <li>60.0 GB, 1.8-inch, PATA interface</li> <li>40.0 GB, 2.5-inch, SATA interface</li> <li>60.0 GB, 2.5-inch, SATA interface</li> <li>80.0 GB, 2.5-inch, SATA interface</li> <li>100.0 GB, 2.5-inch, SATA interface</li> <li>120.0 GB, 2.5-inch, SATA interface</li> </ul>   |
| Display                          | <ul style="list-style-type: none"> <li>12.1-inch, 16M colors, super wide viewing angle XGA (1024 × 768 resolution) TFT color LCD</li> </ul>  |
| I/O port (system)                | <ul style="list-style-type: none"> <li>External monitor connector</li> <li>RJ11 connector</li> <li>RJ45 connector</li> <li>Stereo headphone jack</li> <li>Monaural microphone jack</li> <li>Universal serial bus (USB) connector × 3</li> <li>PCMCIA CardBus</li> <li>Infrared port</li> <li><b>Note:</b> The infrared port is not available on the ThinkPad X61 and X61s computer.</li> <li>Docking connector</li> <li>DC-in</li> <li>IEEE 1394 connector</li> <li>Bluetooth antenna (Bluetooth models only)</li> </ul> |
| I/O port (ThinkPad X6 UltraBase) | <ul style="list-style-type: none"> <li>External monitor connector</li> <li>RJ11 connector</li> <li>RJ45 connector</li> <li>Parallel connector</li> <li>Serial connector</li> <li>Universal serial bus (USB) connector × 4</li> <li>DC-in</li> <li>Stereo speakers</li> <li>Monaural microphone jack</li> <li>Stereo headphone jack</li> </ul>  |
| Internal modem                   | <ul style="list-style-type: none"> <li>56.6 Kbps</li> </ul>  |
| Audio                            | <ul style="list-style-type: none"> <li>Internal monaural speaker</li> <li>Software control volume</li> </ul>   |
| Infrared transfer                | <ul style="list-style-type: none"> <li>IrDA 1.1</li> <li><b>Note:</b> The infrared port is not available on the ThinkPad X61 and X61s computer.</li> </ul>   |

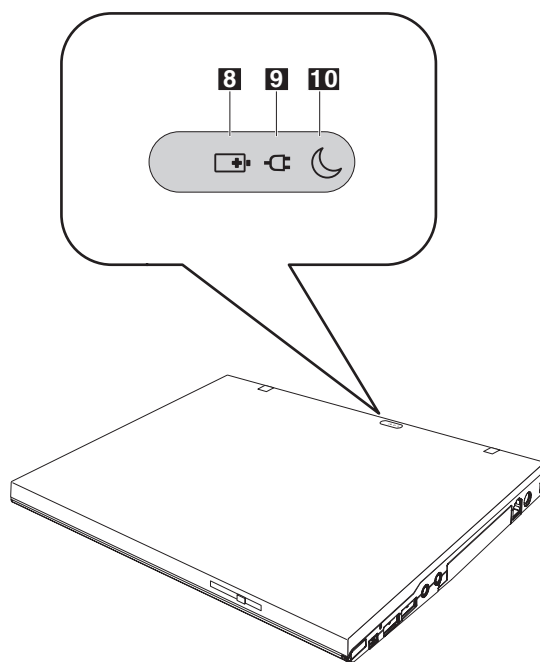
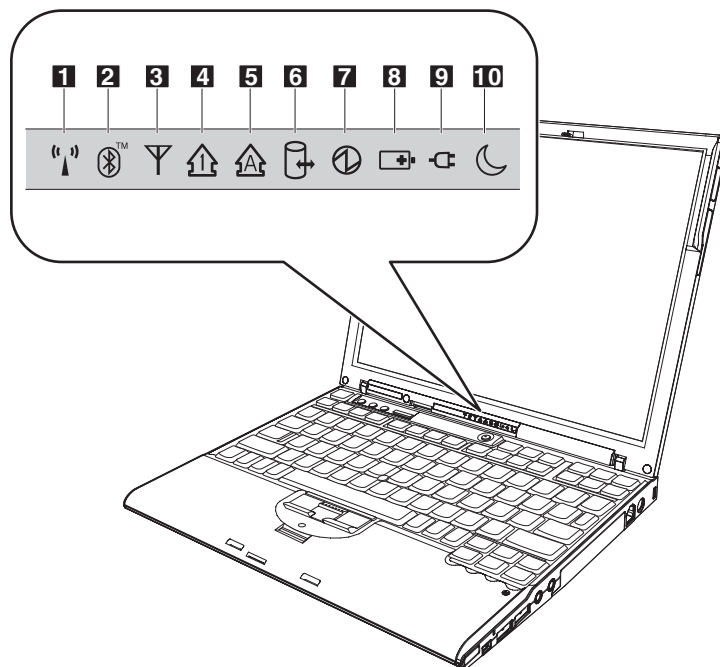
(continued)











Product overview

| Feature                       | Description   |
|-------------------------------|---|
| PCI Express Mini Card         | <ul style="list-style-type: none"> <li>• 802.11a/b/g (Wireless LAN)</li> <li>• 802.11b/g (Wireless LAN)</li> <li>• Wireless WAN</li> <li>• 802.11n (Wireless LAN)</li> </ul>  |
| PC card                       | <ul style="list-style-type: none"> <li>• One Type-II</li> </ul>   |
| SD card                       | <ul style="list-style-type: none"> <li>• With I/O support</li> </ul>  |
| Ultrabay device               | UltraBay Slim (supported by ThinkPad X6 UltraBase)  |
| Modem daughter card (MDC)     | <ul style="list-style-type: none"> <li>• ThinkPad Modem (MDC-1.5)</li> </ul>  |
| AC adapter                    | <ul style="list-style-type: none"> <li>• 65-watt type</li> </ul>  |
| Diskette drive (external)     | <ul style="list-style-type: none"> <li>• USB diskette drive</li> </ul>  |
| Battery pack (main)           | <ul style="list-style-type: none"> <li>• 1 parallel of 4 series of cells (1P4S) Li-Ion battery pack (2.0 AH) (Prismatic)</li> <li>• 1 parallel of 4 series of cells (1P4S) Li-Ion battery pack (2.6 AH) (Standard)</li> <li>• 2 parallel of 4 series of cells (2P4S) Li-Ion battery pack (5.2 AH) (Hybrid)</li> </ul> <p><b>Note:</b> The prismatic battery is only for ThinkPad X60s and X61s computer. The standard and hybrid batteries require a spacer when used with ThinkPad X60s and X61s computer.</p> |
| Preinstalled operating system | <ul style="list-style-type: none"> <li>• Windows XP Professional</li> <li>• Windows XP Home Edition</li> <li>• Windows Vista Business (32 bit)</li> </ul>   |

## Status indicators for X60, X60s, X61, and X61s

The system status indicators show the status of the computer, as follows:



| Indicator   | Meaning   |
|---|---|
| <b>1</b> Wireless LAN status<br> | <b>Green:</b> Wireless is operational and radio on state. This indicator is on when the data is transmitted.  |
| <b>2</b> Bluetooth status<br>    | <b>Green:</b> The Bluetooth is operational. This indicator is on when the Bluetooth is on and not in suspend mode.  |
| <b>3</b> Wireless WAN status<br> | <b>Green:</b> Wireless is operational and radio on state. This indicator is on when the data is transmitted.  |
| <b>4</b> Num lock<br>            | <b>Green:</b> The numeric keypad on the keyboard is enabled. To enable or disable the keypad, press and hold the Shift key, and press the NumLk (ScrLk) key.  |
| <b>5</b> Caps lock<br>           | <b>Green:</b> Caps Lock mode is enabled. To enable or disable Caps Lock mode, press the Caps Lock key.  |
| <b>6</b> Drive in use<br>        | <b>Green:</b> Data is being read from or written to the hard disk drive, or the drive in the Ultrabay device. When this indicator is on, do not put the computer into standby mode or turn off the computer.<br><b>Note:</b> Do not move the system while the Green drive in use light is on. Sudden physical shock could cause drive errors.   |
| <b>7</b> Power on<br>          | <b>Green:</b> The computer is on and ready to use. This indicator stays lit whenever the computer is on and is not in standby mode.   |
| <b>8</b> Battery status<br>    | <b>Green:</b> The battery is in use and has enough power. The ac adapter has charged the battery completely.<br><b>Blinking green:</b> The battery is being charged, but still has enough power to operate. (At regular intervals, the indicator light turns off briefly.)<br><b>Orange:</b> The battery is being charged, but the battery power is still low.<br><b>Blinking orange:</b> The battery needs to be charged. When the indicator starts blinking orange, the computer beeps three times. |
| <b>9</b> AC power status<br>   | <b>Green:</b> The ac adapter is connected and the computer is operating on ac power. If a battery is installed in the computer, it is charged when this indicator is green.   |
| <b>10</b> Standby status<br>   | <b>Green:</b> The computer is in standby mode.<br><b>Blinking green:</b> The computer is entering standby mode or hibernation mode, or is resuming normal operation.  |



## FRU tests

The following table shows the test for each FRU.

| FRU                           | Applicable test   |
|-------------------------------|---|
| System board                  | <ol style="list-style-type: none"> <li>1. <b>Diagnostics --&gt; CPU/Coprocessor</b></li> <li>2. <b>Diagnostics --&gt; Systemboard</b></li> <li>3. If the docking station or the port replicator is attached to the ThinkPad computer, undock it. Place the computer on a horizontal surface, and run <b>Diagnostics --&gt; ThinkPad Devices --&gt; HDD Active Protection Test</b>.</li> </ol> <p><b>Note:</b> Do not apply any physical shock to the computer while the test is running.</p>  |
| Power                         | <b>Diagnostics --&gt; ThinkPad Devices --&gt; AC Adapter, Battery 1 (Battery 2)</b>   |
| LCD unit                      | <ol style="list-style-type: none"> <li>1. <b>Diagnostics --&gt; Video Adapter</b></li> <li>2. <b>Interactive Tests --&gt; Video</b></li> </ol>  |
| Modem, MDC1.5                 | <ol style="list-style-type: none"> <li>1. Make sure the modem is set up correctly.</li> <li>2. Replace the modem jack and the modem card in turn, and run the following test in <b>Diagnostics --&gt; Communication:</b> <ol style="list-style-type: none"> <li>a. Conexant Smart Modem Interrupt</li> <li>b. Conexant Smart Modem Dialtone</li> </ol> </li> </ol>  |
| Audio                         | Enter the BIOS Setup Utility and change Serial ATA (SATA) setting to <b>Compatibility</b> , and run <b>Diagnostics --&gt; Other Devices --&gt; Analog Devices HDA CODEC Test</b>  |
| Speaker                       | <b>Interactive Tests --&gt; Internal Speaker</b><br><b>Note:</b> (For X61/X61s only) Once Modem/Audio test is done, if no sound is heard in this test, turn the computer off and on. Then, run this test again.   |
| PC Card slot                  | <b>Diagnostics --&gt; Systemboard --&gt; PCMCIA</b>   |
| Keyboard                      | <ol style="list-style-type: none"> <li>1. <b>Diagnostics --&gt; Systemboard --&gt; Keyboard</b></li> <li>2. <b>Interactive Tests --&gt; Keyboard</b></li> </ol>   |
| TrackPoint or pointing device | <p>If the TrackPoint does not work, check the configuration as specified in the BIOS Setup Utility. If the TrackPoint is disabled, select <b>Enable</b> to enable it.</p> <p>After you use the TrackPoint, the pointer may drift on the screen for a short time. This drift can occur when a slight, steady pressure is applied to the TrackPointing Stick. This symptom is not a hardware problem. If the pointer stops after a short time, no service action is necessary.</p> <p>If enabling the TrackPoint does not correct the problem, continue with the following:</p> <ul style="list-style-type: none"> <li>• <b>Interactive Tests --&gt; Mouse</b></li> </ul> |

(continued)

| FRU                 | Applicable test  |
|---------------------|--|
| Hard disk drive     | Enter the BIOS Setup Utility and change Serial ATA (SATA) setting to Compatibility, then run <b>Diagnostics --&gt; Fixed Disks</b>   |
| Diskette drive      | <ol style="list-style-type: none"> <li>1. <b>Diagnostics --&gt; Diskette Drives</b></li> <li>2. <b>Interactive Tests --&gt; Diskette</b></li> </ol>  |
| CD-ROM or DVD drive | <ol style="list-style-type: none"> <li>1. <b>Diagnostics --&gt; Other Devices --&gt; Optical Drive</b></li> <li>2. <b>Interactive Tests --&gt; Optical Drive Test</b></li> </ol>   |
| Memory              | <ol style="list-style-type: none"> <li>1. If two DIMMs are installed, remove one of them and run <b>Diagnostics --&gt; Memory Test - Quick</b>.</li> <li>2. If the problem does not recur, return the DIMM to its place, remove the other one, and run the test again.</li> <li>3. If the test does not detect the error, run <b>Diagnostics --&gt; Memory Test - Full</b>.</li> </ol> <p><b>Note:</b> The maximum supported memory size is 3GB.</p> |
| Fan                 | <ol style="list-style-type: none"> <li>1. Turn on the computer and check the air turbulence at the louver near the power switch.</li> <li>2. Run <b>Diagnostics --&gt; ThinkPad Devices --&gt; Fan</b>.</li> </ol>   |

## Fn key combinations

The following table shows the function of each combination of Fn with a function key.

| Key combination | Description  |
|-----------------|--|
| Fn+F1           | Reserved.  |
| Fn+F2           | Reserved.  |
| Fn+F3           | <p><b>Standby mode</b><br/>Turn off the LCD display, leaving the screen blank. Hard disk drive spindown while CPU still works. To turn the LCD display on again, press any key or the TrackPoint stick.</p>  |
| Fn+F4           | <p><b>Sleep mode</b><br/>This function causes the system to enter a low power sleep state. The unit may remain in the Sleep state for an extended time. For ACPI systems the OS will determine which state the system will enter by user setting on the control panel.</p>   |
| Fn+F5           | <p><b>Wireless radio on/off switching</b><br/>Enable or disable the built-in wireless networking features (the IEEE 802.11 standard and wireless WAN if available), and the Bluetooth features. If this combination of keys are pressed, a list of wireless features is displayed in the Wireless Radio Control window. The user can quickly change the power state of each feature in the list.</p>   |
| Fn+F6           | Reserved.  |
| Fn+F7           | <p><b>Switch a display output location</b></p> <ul style="list-style-type: none"> <li>• External monitor (CRT display)</li> <li>• Computer display and external monitor (LCD + CRT display)</li> <li>• Computer display (LCD)</li> </ul> <p><b>Note:</b> For any operating system other than Windows 2000 or Windows XP, no additional procedure is needed; just press Fn+F7.<br/><b>Note:</b></p> <ol style="list-style-type: none"> <li>1. This function does not work when different desktop images are displayed on the computer display and the external monitor (the Extend desktop function).</li> <li>2. This function does not work while a DVD movie or a video clip is playing.</li> <li>3. For Windows 2000 or Windows XP, a hotkey application might take over the switching function.</li> </ol> |

(continued)

| Key combination | Description  |
|-----------------|--|
| Fn+F8           | <p><b>Mouse Property</b><br/>           Opens the window for setting up mouse properties. Tabs for the following choices are displayed:</p> <ul style="list-style-type: none"> <li>• <b>Buttons:</b> User can make decisions on button configuration, double-click speed, and click lock function.</li> <li>• <b>Pointers:</b> User is able to customize pointer's graphic appearance.</li> <li>• <b>Pointer Options:</b> User can select pointer's motion and visibility.</li> <li>• <b>Hardware:</b> User is able to view the hardware device property of the mouse.</li> <li>• <b>TrackPoint:</b> User is able to select and set TrackPoint Stick speed, Scrolling or Magnifying Glass function.</li> </ul> <p><b>Note:</b> This function is supported only in Windows XP and Windows 2000.</p> |
| Fn+F9           | <p><b>Issue device ejection</b><br/>           Opens the ThinkPad EasyEject Utility screen. Buttons for the following choices are displayed:</p> <ul style="list-style-type: none"> <li>• <b>Run EasyEject Actions:</b> User can select, stop, and remove external devices connected to the ThinkPad computer.</li> <li>• <b>Configure EasyEject Actions:</b> User can open the ThinkPad EasyEject Utility main window.</li> <li>• <b>Fn+F9 Settings:</b> User can configure the settings for the Fn+F9 function.</li> </ul> <p><b>Note:</b> This function is supported only in Windows XP and Windows 2000.</p>   |
| Fn+F10          | Reserved.  |
| Fn+F11          | Reserved.  |
| Fn+F12          | <p><b>Hibernation</b><br/>           Turn hibernation mode on. To return to normal operation, press the power button for less than four seconds.<br/> <b>Note:</b> To use Fn+F12 for hibernation in Windows XP and Windows 2000, the PM device driver must have been installed on the computer.</p>  |
| Fn+Home         | <p><b>LCD brightness up</b><br/>           The LCD becomes brighter.</p>   |
| Fn+End          | <p><b>LCD brightness down</b><br/>           The LCD becomes less bright.</p>  |
| Fn+Spacebar     | <p><b>FullScreen magnifier</b><br/>           Enable the FullScreen Magnifier function.</p>  |

## Symptom-to-FRU index

The symptom-to-FRU index in this section lists symptoms and errors and their possible causes. The most likely cause is listed first, in boldface type.

**Note:** Do the FRU replacement or other actions in the sequence shown in the column headed “FRU or action, in sequence.” If replacing a FRU does not solve the problem, put the original part back in the computer. Do not replace a nondefective FRU.

This index can also help you determine, during regular servicing, what FRUs are likely to need to be replaced next.

A numeric error is displayed for each error detected in POST or system operation. In the displays, **n** can be any number.

If no numeric code is displayed, check the narrative descriptions of symptoms. If the symptom is not described there, go to “Intermittent problems” on page 51.

**Note**

For a device not supported by diagnostic codes in the ThinkPad notebook computers, see the manual for that device.

## Numeric error codes

| Symptom or error  | FRU or action, in sequence  |
|---|---|
| <b>0175</b><br>Bad CRC1, stop POST task—The EEPROM checksum is not correct.   | <b>System board.</b>  |
| <b>0176</b><br>System Security—The system has been tampered with.   | 1. <b>Run BIOS Setup Utility, and save the current setting by pressing F10.</b><br>2. System board.   |
| <b>0177</b><br>Bad SVP data, stop POST task—The checksum of the supervisor password in the EEPROM is not correct.                 | <b>System board.</b>  |
| <b>0182</b><br>Bad CRC2. Enter BIOS Setup and load Setup defaults.—The checksum of the CRS2 setting in the EEPROM is not correct. | 1. <b>Run BIOS Setup Utility. Press F9, and Enter to load the default setting. Then save the current setting by pressing F10.</b><br>2. System board. |
| <b>0185</b><br>Bad startup sequence settings. Enter BIOS Setup and load Setup defaults.   | 1. <b>Run BIOS Setup Utility. Press F9, and Enter to load the default setting. Then save the current setting by pressing F10.</b>                     |
| <b>0187</b><br>EAIA data access error—The access to EEPROM is failed.   | <b>System board.</b>  |
| <b>0188</b><br>Invalid RFID Serialization Information Area.   | <b>System board.</b>  |
| <b>0189</b><br>Invalid RFID configuration information area—The EEPROM checksum is not correct.                                    | <b>System board.</b>  |

| Symptom or error   | FRU or action, in sequence  |
|--|---|
| <b>0190</b><br>Critical low-battery error  | <ol style="list-style-type: none"> <li>1. <b>Charge the battery pack.</b></li> <li>2. Battery pack.</li> </ol>  |
| <b>0191</b><br>System Security—Invalid Remote Change requested.  | <ol style="list-style-type: none"> <li>1. <b>Run BIOS Setup Utility, and then save current setting by pressing F10.</b></li> <li>2. System board.</li> </ol>  |
| <b>0192</b><br>System Security— Embedded Security hardware tamper detected.                              | <b>System board.</b>  |
| <b>0199</b><br>System Security— Security password retry count exceeded.                                  | <ol style="list-style-type: none"> <li>1. <b>Run BIOS Setup Utility, and then save the current setting by pressing F10.</b></li> <li>2. System board.</li> </ol>  |
| <b>01C8</b><br>Two or more modem devices are found. Remove all but one of them. Press <Esc> to continue. | <ol style="list-style-type: none"> <li>1. <b>Remove either a Mini-PCI Card or a modem daughter card. Otherwise, press Esc to ignore the warning message.</b></li> <li>2. System board.</li> </ol>                                       |
| <b>01C9</b><br>More than one Ethernet devices are found. Remove one of them. Press <Esc> to continue.    | <ol style="list-style-type: none"> <li>1. <b>Remove the Ethernet device that you installed; or press Esc to ignore the warning message.</b></li> <li>2. System board.</li> </ol>  |
| <b>01CA</b><br>More than one Wireless LAN devices are found. Remove one of them.                         | <ol style="list-style-type: none"> <li>1. <b>Remove the wireless LAN device that you installed.</b></li> <li>2. System board.</li> </ol>  |
| <b>0200</b><br>Hard disk error—The hard disk is not working.   | <ol style="list-style-type: none"> <li>1. <b>Reseat the hard disk drive.</b></li> <li>2. Load Setup Defaults in BIOS Setup Utility.</li> <li>3. Hard disk drive.</li> <li>4. System board.</li> </ol>                                   |
| <b>021x</b><br>Keyboard error.   | <b>Run interactive tests of the keyboard and the auxiliary input device.</b>  |
| <b>0220</b><br>Monitor type error—Monitor type does not match the one specified in CMOS.                 | <b>Load Setup Defaults in BIOS Setup Utility.</b>   |
| <b>0230</b><br>Shadow RAM error—Shadow RAM fails at offset nnnn.   | <b>System board.</b>  |
| <b>0231</b><br>System RAM error—System RAM fails at offset nnnn.   | <ol style="list-style-type: none"> <li>1. <b>DIMM.</b></li> <li>2. System board.</li> </ol>   |
| <b>0232</b><br>Extended RAM error— Extended RAM fails at offset nnnn.                                    | <ol style="list-style-type: none"> <li>1. <b>DIMM.</b></li> <li>2. System board.</li> </ol>   |
| <b>0250</b><br>System battery error—System battery is dead.  | <ol style="list-style-type: none"> <li>1. <b>Charge the backup battery for more than 8 hours by connecting the ac adapter.</b></li> <li>2. Replace the backup battery and run BIOS Setup Utility to reset the time and date.</li> </ol> |
| <b>0251</b><br>System CMOS checksum bad— Default configuration used.                                     | <ol style="list-style-type: none"> <li>1. <b>Charge the backup battery for more than 8 hours by connecting the ac adapter.</b></li> <li>2. Replace the backup battery and run BIOS Setup Utility to reset the time and date.</li> </ol> |

| Symptom or error   | FRU or action, in sequence  |
|--|---|
| <b>0252</b><br>Password checksum bad—The password is cleared.  | <b>Reset the password by running BIOS Setup Utility.</b>  |
| <b>0260</b><br>System timer error.   | <ol style="list-style-type: none"> <li><b>1. Charge the backup battery for more than 8 hours by connecting the ac adapter.</b></li> <li>Replace the backup battery and run BIOS Setup Utility to reset the time and date.</li> <li>System board.</li> </ol> |
| <b>0270</b><br>Real-time clock error.  | <ol style="list-style-type: none"> <li><b>1. Charge the backup battery for more than 8 hours by connecting the ac adapter.</b></li> <li>Replace the backup battery and run BIOS Setup Utility to reset the time and date.</li> <li>System board.</li> </ol> |
| <b>0271</b><br>Date and time error—Neither the date nor the time is set in the computer.             | <b>Run BIOS Setup Utility to reset the time and date.</b>   |
| <b>0280</b><br>Previous boot incomplete— Default configuration used.                                 | <ol style="list-style-type: none"> <li><b>1. Load “Setup Default” in BIOS Setup Utility.</b></li> <li>DIMM.</li> <li>System board.</li> </ol>   |
| <b>02B2</b><br>Incorrect drive A type.   | <ol style="list-style-type: none"> <li><b>1. Diskette drive.</b></li> <li>External FDD cable.</li> <li>I/O card.</li> </ol>   |
| <b>02F0</b><br>CPU ID:xx Failed.   | <ol style="list-style-type: none"> <li><b>1. CPU.</b></li> <li>System board.</li> </ol>   |
| <b>02F4</b><br>EISA CMOS not writable.   | <ol style="list-style-type: none"> <li><b>1. Load Setup Defaults in BIOS Setup Utility.</b></li> <li>Replace the backup battery.</li> <li>System board.</li> </ol>  |
| <b>02F5</b><br>DMA test failed.  | <ol style="list-style-type: none"> <li><b>1. DIMM.</b></li> <li>System board.</li> </ol>  |
| <b>02F6</b><br>Software NMI failed   | <ol style="list-style-type: none"> <li><b>1. DIMM.</b></li> <li>System board.</li> </ol>  |
| <b>02F7</b><br>Fail-safe timer NMI failed  | <ol style="list-style-type: none"> <li><b>1. DIMM.</b></li> <li>System board.</li> </ol>  |
| <b>1801</b><br>Attached docking station is not supported   | <b>Shut down the computer and remove it from the docking station.</b>   |
| <b>1802</b><br>Unauthorized network card is plugged in—Turn off and remove the miniPCI network card. | <ol style="list-style-type: none"> <li><b>1. Remove Mini PCI network card.</b></li> <li>System board.</li> </ol>  |
| <b>1803</b><br>Unauthorized daughter card is plugged in—Turn off and remove the daughter card.       | <ol style="list-style-type: none"> <li><b>1. Remove the daughter card that you installed.</b></li> <li>System board.</li> </ol>   |
| <b>1804</b><br>Unauthorized WAN card is plugged in—Power off and remove the WAN card.                | <ol style="list-style-type: none"> <li><b>1. Remove the WAN card that you installed.</b></li> <li>System board.</li> </ol>  |

| Symptom or error   | FRU or action, in sequence   |
|--|--|
| <b>1805</b><br>Unauthorized Wireless USB card is plugged in—Power off and remove the Wireless USB card.  | <ol style="list-style-type: none"> <li>1. <b>Remove the Wireless USB card that you installed.</b></li> <li>2. System board.</li> </ol>   |
| <b>1810</b><br>Hard disk partition layout error.   | <ol style="list-style-type: none"> <li>1. <b>If the Access Predesktop Area has been previously disabled, then go to the BIOS Setup Utility by pressing F1 to open the BIOS Setup Utility. Select Security --&gt; Predesktop Area --&gt; Access Predesktop Area. Set this item to Disabled. Save and exit.</b></li> <li>2. If the Access Predesktop Area has not been previously disabled, press Enter to load Access Predesktop Area. Then run <b>RECOVER TO FACTORY CONTENTS</b> in Access Predesktop Area.</li> <li>3. If item 2 failed, press F3 in the Welcome screen in <b>RECOVER TO FACTORY CONTENTS</b>. Run FDISK, and then delete all partitions. Run <b>RECOVER TO FACTORY CONTENTS</b> in Access Predesktop Area again.</li> <li>4. If item 3 failed, select CD-ROM boot in <b>Startup</b> in Access Predesktop Area. Boot from the Recovery CD and perform full recovery from it.</li> <li>5. If item 4 failed, replace the hard disk drive.</li> </ol> |
| <b>1820</b><br>More than one external fingerprint reader is attached. Power off and remove all but the reader that you set up within your main operating system.                                       | <b>Remove all but the reader that you set up for the authentication.</b>   |
| <b>2000</b><br>Hard Drive Active Protection sensor diagnostics failed.<br>Press <Esc> to continue.<br>Press <F1> to enter SETUP  | <ol style="list-style-type: none"> <li>1. Undock docking station or port replicator if it is attached to the ThinkPad computer, and place the computer on a horizontal surface. Do not apply any physical shock to the computer.</li> <li>2. Run <b>Diagnostics --&gt; ThinkPad Devices --&gt; HDD Active Protection Test.</b></li> </ol>  |
| <b>2010</b><br>Warning: Your internal hard disk drive (HDD) may not function correctly on this system. Ensure that your HDD is supported on this system and that the latest HDD firmware is installed. | Inform the following information to the customer:<br>If in the primary bay the customer is using a non-IBM or non-Lenovo hard disk drive (HDD), or an old generation IBM HDD which is not supported by this system, with the risk in mind, the customer can still use it by pressing ESC. If in the primary drive bay the customer is using a supported IBM/Lenovo HDD with an old firmware, the customer needs to update its firmware to the latest. The latest version is available at <a href="http://www.lenovo.com/support">http://www.lenovo.com/support</a>   |
| <b>2100</b><br>Initialization error on HDD0 (Main hard disk drive)   | <ol style="list-style-type: none"> <li>1. <b>Reseat the hard disk drive.</b></li> <li>2. Main hard disk drive.</li> <li>3. System board.</li> </ol>  |



| Symptom or error   | FRU or action, in sequence  |
|--|---|
| <b>2102</b><br>Initialization error on HDD1 (Ultrabay hard disk drive) | <ol style="list-style-type: none"> <li>1. <b>Reseat the hard disk drive.</b></li> <li>2. Ultrabay hard disk drive.</li> <li>3. System board.</li> </ol> |
| <b>2110</b><br>Read error on HDD0 (Main hard disk drive)               | <ol style="list-style-type: none"> <li>1. <b>Reseat the hard disk drive.</b></li> <li>2. Main hard disk drive.</li> <li>3. System board.</li> </ol>     |
| <b>2112</b><br>Read error on HDD1 (Ultrabay hard disk drive)           | <ol style="list-style-type: none"> <li>1. <b>Reseat the hard disk drive.</b></li> <li>2. Ultrabay hard disk drive.</li> <li>3. System board.</li> </ol> |

## Error messages

| Symptom or error                   | FRU or action, in sequence   |
|------------------------------------|--|
| Device address conflict.           | <ol style="list-style-type: none"> <li>1. <b>Load "Setup Defaults" in the BIOS Setup Utility.</b></li> <li>2. Backup battery.</li> <li>3. System board.</li> </ol>   |
| Allocation error for device.       | <ol style="list-style-type: none"> <li>1. <b>Load "Setup Defaults" in the BIOS Setup Utility.</b></li> <li>2. Backup battery.</li> <li>3. System board.</li> </ol>   |
| Failing bits: nnnn.                | <ol style="list-style-type: none"> <li>1. <b>DIMM.</b></li> <li>2. System board.</li> </ol>  |
| Invalid system configuration data. | <ol style="list-style-type: none"> <li>1. <b>DIMM.</b></li> <li>2. System board.</li> </ol>  |
| I/O device IRQ conflict.           | <ol style="list-style-type: none"> <li>1. <b>Load "Setup Defaults" in the BIOS Setup Utility.</b></li> <li>2. Backup battery.</li> <li>3. System board.</li> </ol>   |
| Hibernation error.                 | <ol style="list-style-type: none"> <li>1. <b>Restore the system configuration to what it was before the computer entered hibernation mode.</b></li> <li>2. If memory size has been changed, re-create the hibernation file.</li> </ol> |
| Fan error.                         | <ol style="list-style-type: none"> <li>1. <b>Fan.</b></li> <li>2. Thermal grease.</li> <li>3. System board.</li> </ol>   |
| Thermal sensing error.             | <b>System board.</b>   |

## Symptom-to-FRU index

| Symptom or error             | FRU or action, in sequence   |
|------------------------------|--|
| Cannot boot from any device. | <p data-bbox="933 220 1408 275"><b>Check the status of device which you want to boot from.</b></p> <p data-bbox="933 302 1127 329">Device not found.</p> <ol data-bbox="933 331 1349 386" style="list-style-type: none"><li data-bbox="933 331 1349 359">1. The device you want to boot from.</li><li data-bbox="933 361 1127 386">2. System board.</li></ol> <p data-bbox="933 413 1078 441">Device Error.</p> <ol data-bbox="933 443 1349 497" style="list-style-type: none"><li data-bbox="933 443 1349 470">1. The device you want to boot from.</li><li data-bbox="933 472 1127 497">2. System board.</li></ol> <p data-bbox="933 525 1227 552">No valid operating system.</p> <ol data-bbox="933 554 1401 638" style="list-style-type: none"><li data-bbox="933 554 1401 609">1. Check that the operating system has no failure and is installed correctly.</li><li data-bbox="933 611 1305 638">2. Reinstall the operation system.</li></ol> <p data-bbox="933 665 1219 693">Excluded from boot order.</p> <ul data-bbox="933 695 1408 743" style="list-style-type: none"><li data-bbox="933 695 1408 743">• Enter the BIOS Setup Utility and add the device in boot order.</li></ul> |

## Beep symptoms

| Symptom or error   | FRU or action, in sequence  |
|--|---|
| One beep and a blank, unreadable, or flashing LCD.   | <ol style="list-style-type: none"> <li>1. <b>Reseat the LCD connector.</b></li> <li>2. LCD assembly.</li> <li>3. External CRT.</li> <li>4. System board.</li> </ol> |
| One long and two short beeps, and a blank or unreadable LCD.                                 | <ol style="list-style-type: none"> <li>1. <b>System board.</b></li> <li>2. LCD assembly.</li> <li>3. DIMM.</li> </ol>   |
| Two short beeps with error codes.  | <b>POST error. See “Numeric error codes” on page 43.</b>  |
| Two short beeps and a blank screen.  | <ol style="list-style-type: none"> <li>1. <b>System board.</b></li> <li>2. DIMM.</li> </ol>   |
| Three short beeps, pause, three more short beeps, and one short beep.                        | <ol style="list-style-type: none"> <li>1. <b>DIMM.</b></li> <li>2. System board</li> </ol>  |
| One short beep, pause, three short beeps, pause, three more short beeps, and one short beep. |   |
| Only the cursor appears.   | <b>Reinstall the operating system.</b>  |
| Four cycles of four short beeps and a blank screen.  | <b>System board</b> (security chip)   |
| Five short beeps and a blank screen.   | <b>System board</b>   |

## No-beep symptoms

| Symptom or error   | FRU or action, in sequence   |
|--|--|
| No beep, power-on indicator on, LCD blank, and no POST.    | <ol style="list-style-type: none"> <li>1. <b>Make sure that every connector is connected tightly and correctly.</b></li> <li>2. DIMM.</li> <li>3. System board.</li> </ol> |
| No beep, power-on indicator on, and LCD blank during POST. | <ol style="list-style-type: none"> <li>1. <b>Reseat DIMM.</b></li> <li>2. System board.</li> </ol>   |
| The power-on password prompt appears.                      | A power-on password or a supervisor password is set. Type the password and press <b>Enter</b> .  |
| The hard-disk password prompt appears.                     | A hard-disk password is set. Type the password and press <b>Enter</b> .  |

## LCD-related symptoms

### Important

The TFT LCD for the notebook computer contains many thin-film transistors (TFTs). The presence of a small number of dots that are missing, discolored, or always lighted is characteristic of TFT LCD technology, but excessive pixel problems can cause viewing concerns. The LCD should be replaced if the number of missing, discolored, or lighted dots in any background is:

- **XGA:** 8 or more bright dots, 8 or more dark dots, or a total of 9 or more bright and dark dots.

**Note:** A bright dot means a pixel is always on (white or color.) A dark dot means a pixel is always off (black color.)

| Symptom or error  | FRU or action, in sequence  |
|---|---|
| No beep, power-on indicator on, and a blank LCD during POST.  | <b>System board.</b>  |
| <ul style="list-style-type: none"> <li>• LCD backlight not working.</li> <li>• LCD too dark.</li> <li>• LCD brightness cannot be adjusted.</li> <li>• LCD contrast cannot be adjusted.</li> </ul> | <ol style="list-style-type: none"> <li>1. <b>Reseat the LCD connectors.</b></li> <li>2. LCD assembly.</li> <li>3. System board.</li> </ol>  |
| <ul style="list-style-type: none"> <li>• LCD screen unreadable.</li> <li>• Characters missing pixels.</li> <li>• Screen abnormal.</li> <li>• Wrong color displayed.</li> </ul>                    | <ol style="list-style-type: none"> <li>1. <b>See important note for “LCD-related symptoms.”</b></li> <li>2. Reseat all LCD connectors.</li> <li>3. LCD assembly.</li> <li>4. System board.</li> </ol> |
| Horizontal or vertical lines displayed on LCD.  | <b>LCD assembly.</b>  |

## Intermittent problems

Intermittent system hang problems can be due to a variety of causes that have nothing to do with a hardware defect, such as cosmic radiation, electrostatic discharge, or software errors. FRU replacement should be considered only when a problem recurs.

When analyzing an intermittent problem, do the following:

1. Run the diagnostic test for the system board in loop mode **at least 10 times**.
2. If no error is detected, do **not** replace any FRUs.
3. If any error is detected, replace the FRU shown by the FRU code. Rerun the test to verify that no more errors exist.

## Undetermined problems

If the diagnostic tests did not identify the adapter or device that has failed, if wrong devices are installed, or if the system simply is not operating, follow these procedures to isolate the failing FRU (do not isolate FRUs that have no defects).

Verify that all attached devices are supported by the computer.

Verify that the power supply being used at the time of the failure is operating correctly. (See "Power system checkout" on page 30.)

1. Turn off the computer.
2. Visually check each FRU for damage. Replace any damaged FRU.
3. Remove or disconnect all of the following devices:
  - a. Non-ThinkPad devices
  - b. Devices attached to the port replicator
  - c. Printer, mouse, and other external devices
  - d. Battery pack
  - e. Hard disk drive
  - f. External diskette drive or optical drive
  - g. DIMM
  - h. Optical disk or diskette in the internal drive
  - i. PC Cards
4. Turn on the computer.
5. Determine whether the problem has been solved.
6. If the problem does not recur, reconnect the removed devices one at a time until you find the failing FRU.
7. If the problem remains, replace the following FRUs one at a time (do not replace a nondefective FRU):
  - a. System board
  - b. LCD assembly

## FRU replacement notices

This section contains notices related to removing and replacing parts. Read this section carefully before replacing any FRU.

### Screw notices

Loose screws can cause a reliability problem. In the ThinkPad computer, this problem is addressed with special nylon-coated screws that have the following characteristics:

- They maintain tight connections.
- They do not easily come loose, even with shock or vibration.
- They are harder to tighten.
- Each one should be used only once.

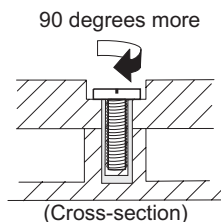
Do the following when you service this machine:

- Keep the screw kit (for the P/N, see “Miscellaneous parts” on page 193) in your tool bag.
- Always use new screws.
- Use a torque screwdriver if you have one.

Tighten screws as follows:

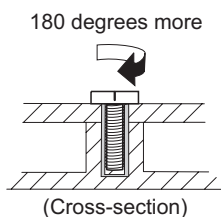
- **Plastic to plastic**

Turn an additional **90 degrees** after the screw head touches the surface of the plastic part:



- **Logic card to plastic**

Turn an additional **180 degrees** after the screw head touches the surface of the logic card:



- **Torque driver**

If you have a torque driver, refer to the “Torque” column for each step.

- Make sure that you use the correct screw. If you have a torque screwdriver, tighten all screws firmly to the torque shown in the table. **Never use a screw that you removed. Use a new one. Make sure that all of the screws are tightened firmly.**
- Ensure torque screwdrivers are calibrated correctly following country specifications.

### Retaining serial numbers

This section includes the following descriptions:

- “Restoring the serial number of the system unit” on page 53

- “Retaining the UUID”
- “Reading or writing the ECA information”

### Restoring the serial number of the system unit

When the computer was manufactured, the EEPROM on the system board was loaded with the serial numbers of the system and all major components. These numbers need to remain the same throughout the life of the computer.

If you replace the system board, you must restore the serial number of the system unit to its original value.

Before replacing the system board, save the original serial number by doing the following:

1. Install the ThinkPad Hardware Maintenance Diskette Version 1.73 or later, and restart the computer.
2. From the main menu, select **1. Set System Identification**.
3. Select **2. Read S/N data from EEPROM**.

The serial number of each device in your computer is displayed; the serial number of the system unit is listed as follows:

- 20: Serial number

Write down that number.

**Note:** The serial number of the system unit is also written on the label attached to the bottom of the computer.

After you have replaced the system board, restore the serial number by doing the following:

1. Install the ThinkPad Hardware Maintenance Diskette Version 1.73 or later and restart the computer.
2. From the main menu, select **1. Set System Identification**.
3. Select **1. Add S/N data from EEPROM**.  
Follow the instructions on the screen.

### Retaining the UUID

The Universally Unique Identifier (UUID) is a 128-bit number uniquely assigned to your computer at production and stored in the EEPROM of your system board. The algorithm that generates the number is designed to provide unique IDs until the year A.D. 3400. No two computers in the world have the same number.

When you replace the system board, you must set the UUID on the new system board as follows:

1. Install the ThinkPad Hardware Maintenance Diskette Version 1.73 or later, and restart the computer.
2. From the main menu, select **4. Assign UUID**.

A new UUID is created and written. If a valid UUID already exists, it is not overwritten.

### Reading or writing the ECA information

Information on Engineering Change Announcements (ECA) are stored in the EEPROM of the system board. The electronic storage of this information simplifies the procedure to check if the ECA has been previously applied to a machine. The machine does not need to be disassembled to check for the ECA application.

To check what ECAs have been previously applied to the machine, use the ECA Information Read/Write function on the ThinkPad Hardware Maintenance Diskette Version 1.73 or later.

1. Insert the ThinkPad Hardware Maintenance Diskette Version 1.73 or later, and restart the computer.
2. From the main menu, select **6. Set ECA Information**.
3. To read ECA information, select **2. Read ECA/rework number from EEPROM** and follow the instruction.
4. To read box build date, select **5. Read box build date from EEPROM**, and follow the instruction on the screen.

After an ECA has been applied to the machine, the EEPROM must be updated to reflect the ECA's application. Use the ThinkPad Hardware Maintenance Diskette Version 1.73 or later to update the EEPROM.

**Note:** Only the ECA number is stored in the EEPROM. The machine type of the ECA is assumed be the same as the machine type of the machine that had the ECA applied to it.

1. Insert the ThinkPad Hardware Maintenance Diskette Version 1.73 or later, and restart the computer.
2. From the main menu, select **6. Set ECA Information**.
3. To write ECA information, select **1. Write ECA/rework number from EEPROM**, and follow the instruction.
4. To write box build date, select **4. Write box build date from EEPROM**, and follow the instruction on the screen.

If the system board is being replaced, try to read the ECA information from the old system board and transfer the information to the new system. If the system board is inoperable, this will not be possible.



---

## Removing and replacing a FRU

This section presents directions and drawings for use in removing and replacing a FRU. Be sure to observe the following general rules:

1. Do not try to service any computer unless you have been trained and certified. An untrained person runs the risk of damaging parts.
2. Before replacing any FRU, review “FRU replacement notices” on page 52.
3. Begin by removing any FRUs that have to be removed before the failing FRU. Any such FRUs are listed at the top of the page. Remove them in the order in which they are listed.
4. Follow the correct sequence in the steps for removing the FRU, as given in the drawings by the numbers in square callouts.
5. When turning a screw to replace a FRU, turn it in the direction as given by the arrow in the drawing.
6. When removing the FRU, move it in the direction as given by the arrow in the drawing.
7. To put the new FRU in place, reverse the removal procedure and follow any notes that pertain to replacement. For information about connecting and arranging internal cables, see “Locations” on page 115.
8. When replacing a FRU, use the correct screw as shown in the procedures.

 **DANGER**

**Before removing any FRU, turn off the computer, unplug all power cords from electrical outlets, remove the battery pack, and then disconnect any interconnecting cables.**

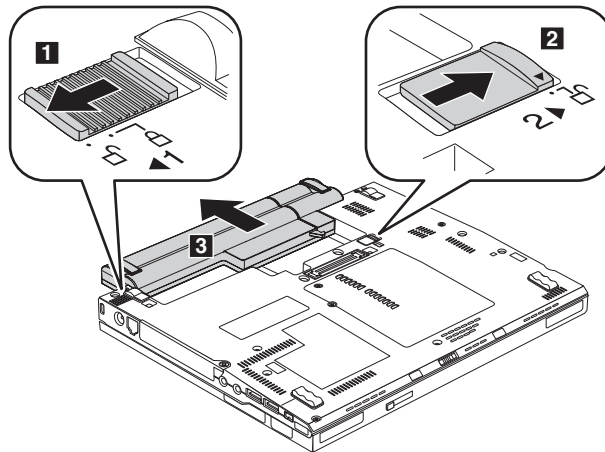
**Attention:** After replacing a FRU, do not turn on the computer until you have made sure that all screws, springs, and other small parts are in place and none are loose inside the computer. Verify this by shaking the computer gently and listening for rattling sounds. Metallic parts or metal flakes can cause electrical short circuits.

**Attention:** The system board is sensitive to, and can be damaged by, electrostatic discharge. Before touching it, establish personal grounding by touching a ground point with one hand or by using an electrostatic discharge (ESD) strap (P/N 6405959).

## 1010 Battery pack

 **DANGER**

Use only the battery specified in the parts list for your computer. Any other battery could ignite or explode.



## 1020 Hard disk drive (2.5-inch) and HDD rubber rails

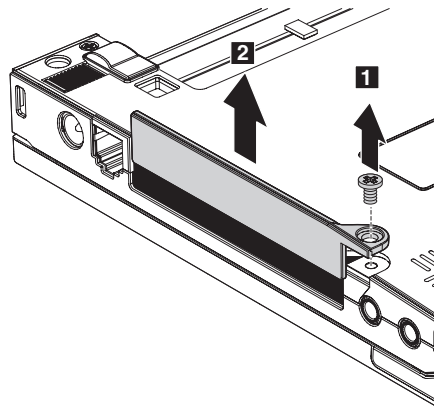
**Note:** This procedure is only for models with a 2.5-inch hard disk drive.

### Attention

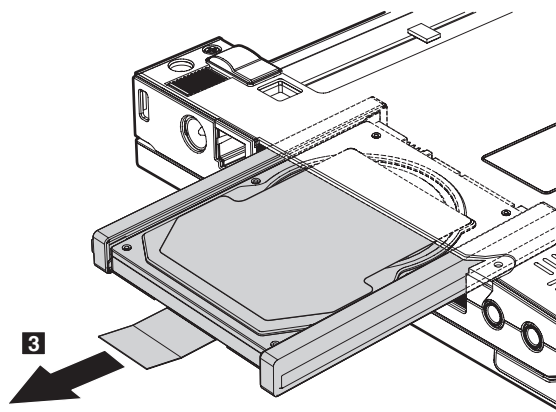
- **Do not drop or apply any shock to the hard disk drive.** The hard disk drive is sensitive to physical shock. Incorrect handling can cause damage and permanent loss of data.
- Before removing the drive, have the user make a backup copy of all the information on the drive if possible.
- Never remove the drive while the system is operating or is in suspend mode.

For access, remove following FRU:

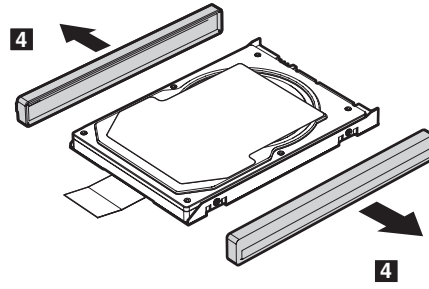
- "1010 Battery pack" on page 56



| Step     | Screw (quantity)                        | Color | Torque                |
|----------|---|-------|-----------------------|
| <b>1</b> | M3 × 3 mm, wafer-head, nylon-coated (1) | Black | 0.196 Nm<br>(2 kgfcm) |



*Removing and replacing a FRU*



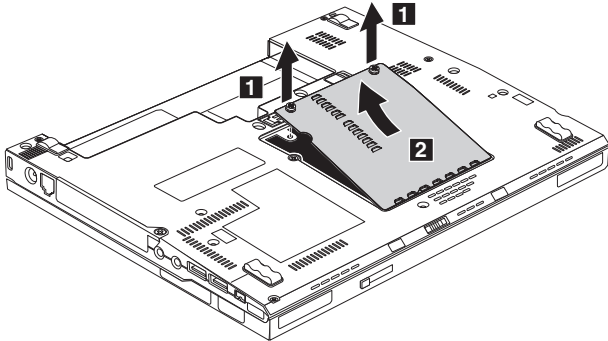
**When installing:** Make sure that the hard disk is connected firmly.

### 1030 DIMM cover

For access, remove following FRU:

- "1010 Battery pack" on page 56

**Note:** Loosen the screws **1**, but do not remove them.

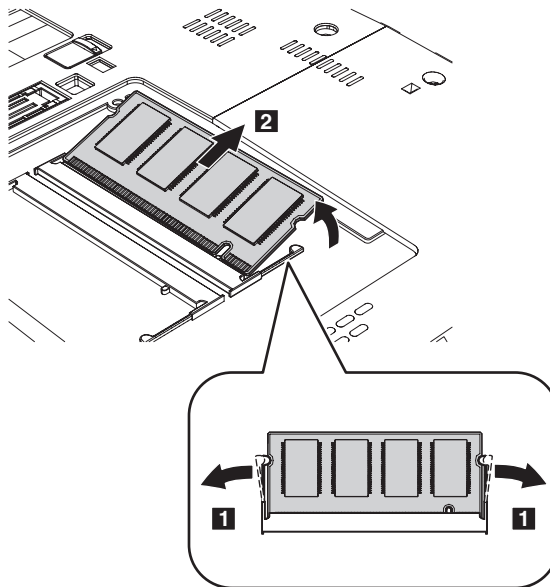


| Step     | Screw (quantity)                        | Color | Torque                  |
|----------|---|-------|-------------------------|
| <b>1</b> | M2 × 3 mm, wafer-head, nylon-coated (2) | Black | 0.157 Nm<br>(1.6 kgfcm) |

## 1040 DIMM

For access, remove following FRUs, in order:

- “1010 Battery pack” on page 56
- “1030 DIMM cover” on page 59



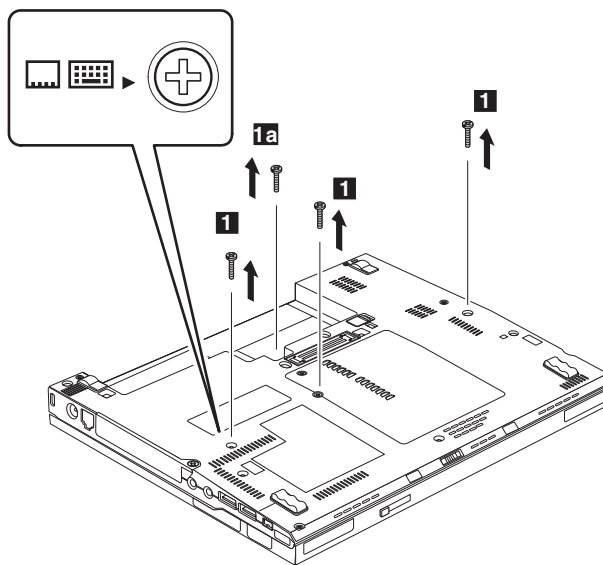
## 1050 Keyboard

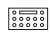
For access, remove following FRU:

- “1010 Battery pack” on page 56

Remove 4 screws with keyboard icon to remove keyboard.

**Note:** Place the system on a hard flat table when you remove or reinstall the screws. When reinstalling the screw **1a**, use a manual screwdriver. Do not secure this screw too tightly.

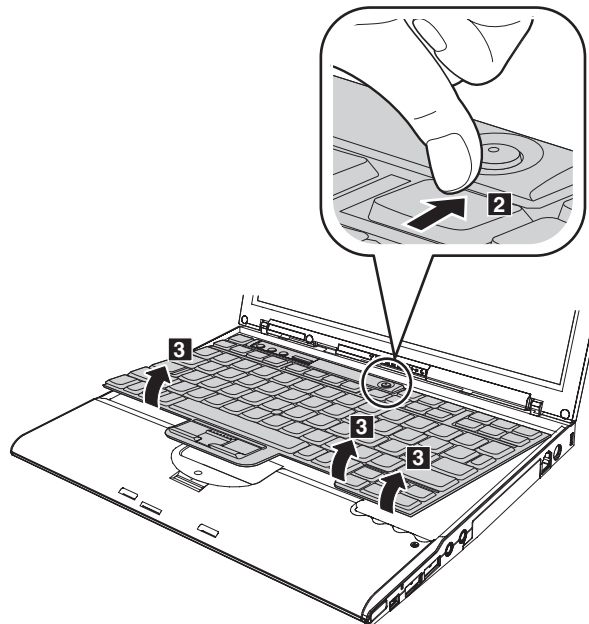


| Step               | Icon  | Screw (quantity)                        | Color | Torque                |
|--------------------|---|---|-------|-----------------------|
| <b>1</b> <b>1a</b> |  | M2 × 6 mm, wafer-head, nylon-coated (4) | Black | 0.196 Nm<br>(2 kgfcm) |

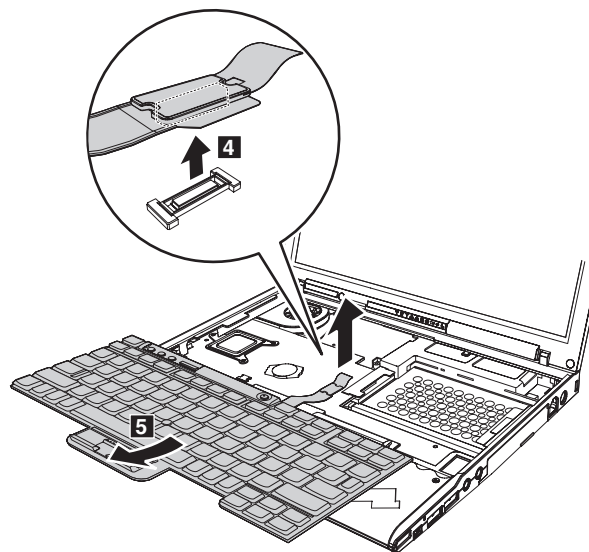
(continued)

## Removing and replacing a FRU

Gently push the keyboard forward, as shown in step **2**. Then lift up the keyboard slightly, as shown in step **3**.



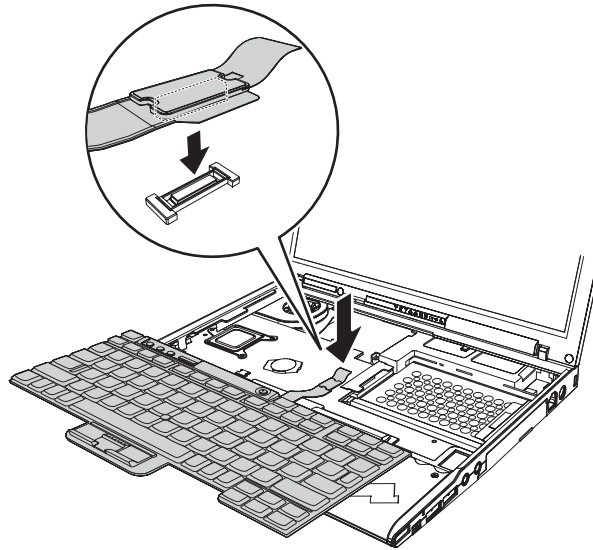
Detach the keyboard connector **4** to remove the keyboard **5**.



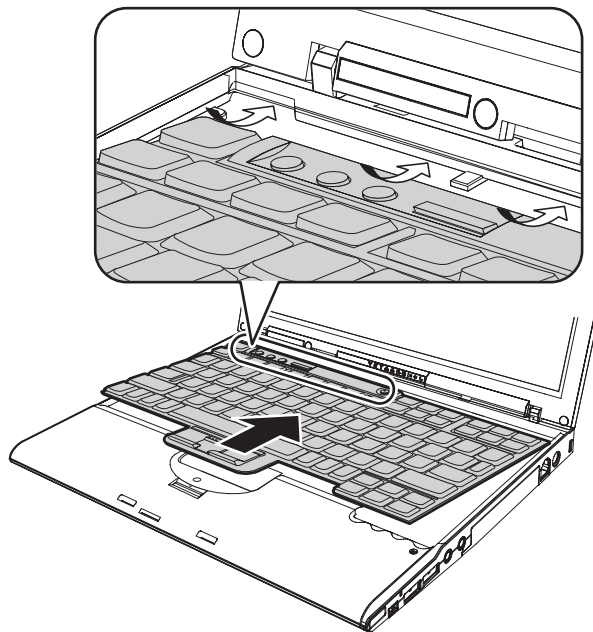


**When installing:** Follow the steps below.

1. Attach the connector.

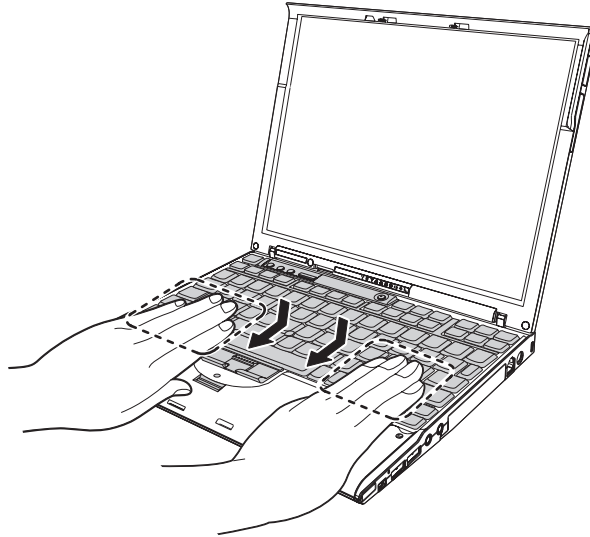


2. Make sure that the keyboard edges are under the frame. Then press the keys to latch the keyboard firmly in place.



## Removing and replacing a FRU

3. To make sure that the front side of the keyboard is housed firmly, gently press the keys with your thumbs and try to slide the keyboard toward you.

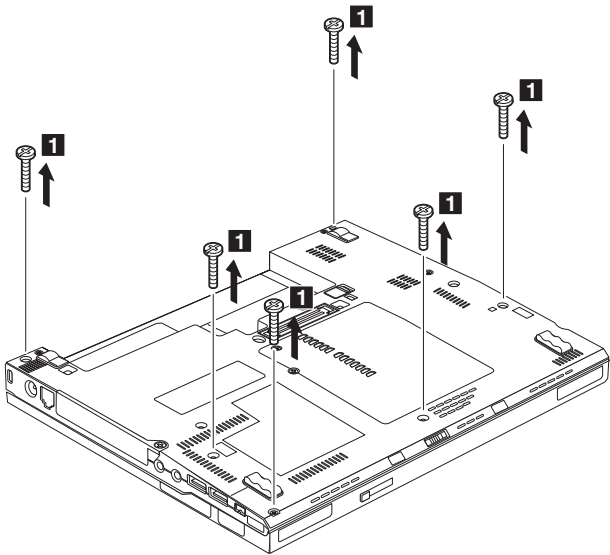


4. Secure the keyboard by tightening the screws from the bottom side of the computer.

### 1060 Upper case

For access, remove following FRUs, in order:

- "1010 Battery pack" on page 56
- "1050 Keyboard" on page 61



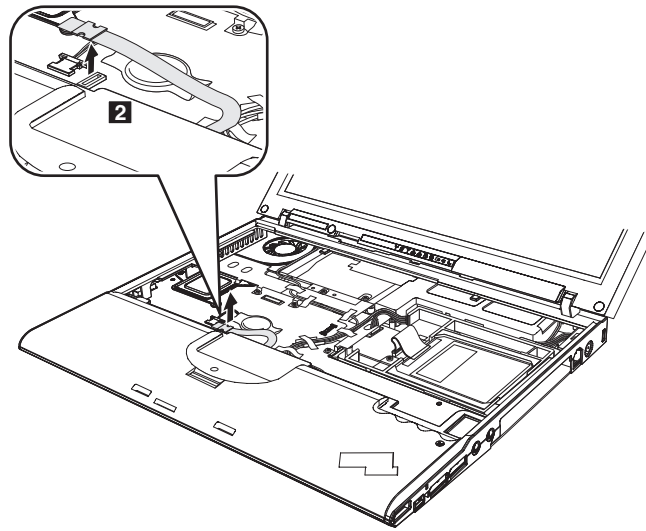
| Step | Screw (quantity)                        | Color | Torque                |
|------|---|-------|-----------------------|
| 1    | M2 × 6 mm, wafer-head, nylon-coated (6) | Black | 0.196 Nm<br>(2 kgfcm) |

**Note:** Place the system on a hard flat table when you remove or reinstall the screws.

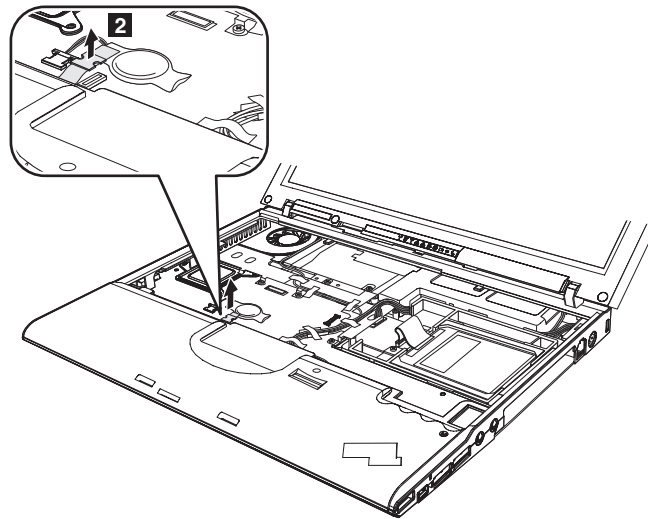
## Removing and replacing a FRU

**Note:** For models with a fingerprint reader, detach the fingerprint cable **2**.

**For ThinkPad X60 and X60s computers:**



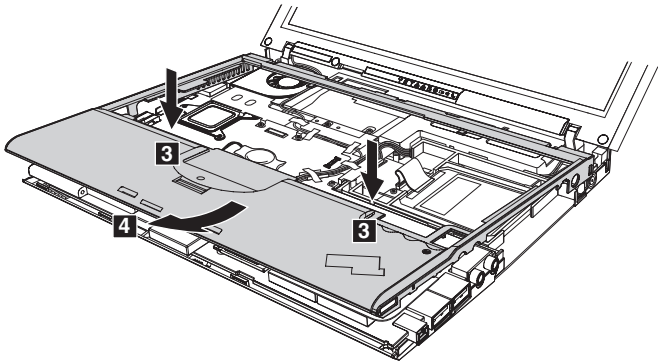
**For ThinkPad X61 and X61s computers:**



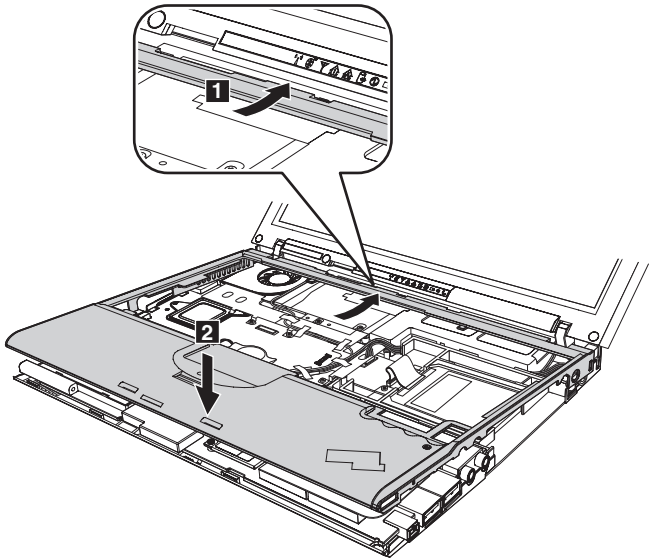
(continued)

**Note:** Open the LCD at least 150 degrees.

Press down and gently lift upper case up, as shown in steps **3** and **4**, to remove upper case.



**When installing:** Follow the steps below to make sure that the upper case is installed firmly.



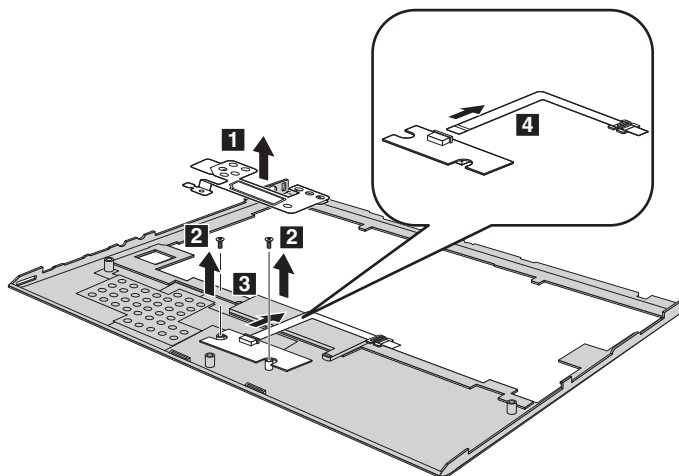
## 1070 Fingerprint reader

**Note:** This procedure is only for models with a fingerprint reader.

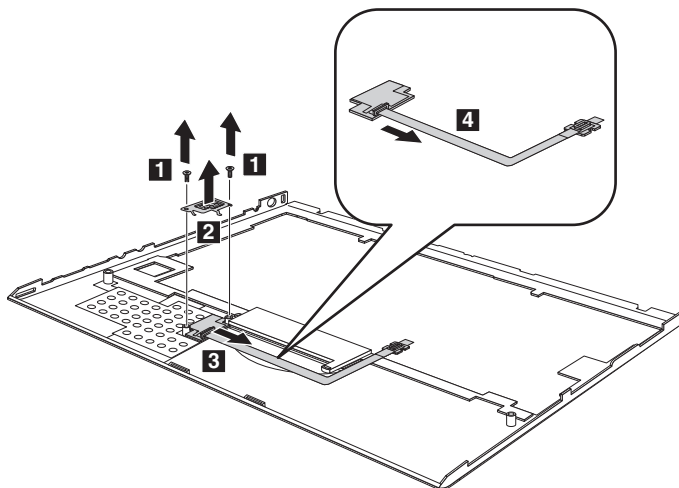
For access, remove following FRUs, in order:

- “1010 Battery pack” on page 56
- “1050 Keyboard” on page 61
- “1060 Upper case” on page 65

**For ThinkPad X60 and X60s computers:**



**For ThinkPad X61 and X61s computers:**



| Step     | Screw (quantity)                          | Color  | Torque                |
|----------|---|--------|-----------------------|
| <b>2</b> | M2 × 3.5 mm, wafer-head, nylon-coated (2) | Silver | 0.196 Nm<br>(2 kgfcm) |

**Note:** For ThinkPad X61 and X61s computers with wireless WAN, copper and aluminum shielding are present on the upper case and the fingerprint reader cable.

## 1080 Hard disk (1.8-inch)

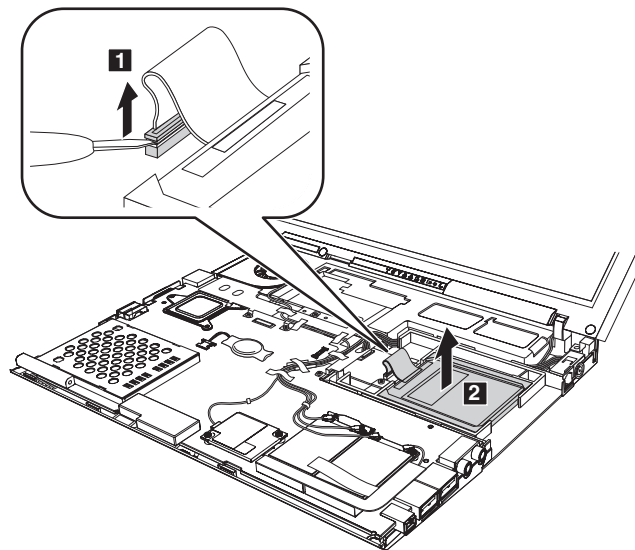
**Note:** This procedure is only for models with a 1.8-inch hard disk drive.

### Attention

- **Do not drop or apply any shock to the hard disk drive.** The hard disk drive is sensitive to physical shock. Incorrect handling can cause damage and permanent loss of data.
- Before removing the drive, have the user make a backup copy of all the information on the drive if possible.
- Never remove the drive while the system is operating or is in suspend mode.

For access, remove following FRUs, in order:

- "1010 Battery pack" on page 56
- "1050 Keyboard" on page 61
- "1060 Upper case" on page 65

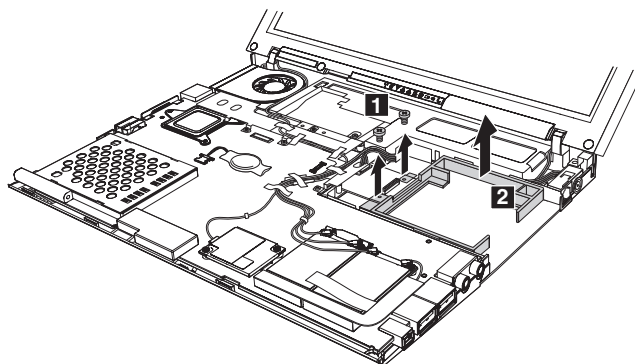


## 1090 Hard disk housing (1.8-inch)

**Note:** This procedure is only for models with a 1.8-inch hard disk drive.

For access, remove following FRUs, in order:

- “1010 Battery pack” on page 56
- “1050 Keyboard” on page 61
- “1060 Upper case” on page 65
- “1080 Hard disk (1.8-inch)” on page 69



| Step     | Screw (quantity)                          | Color  | Torque                |
|----------|---|--------|-----------------------|
| <b>1</b> | M2 × 3.5 mm, wafer-head, nylon-coated (2) | Silver | 0.196 Nm<br>(2 kgfcm) |

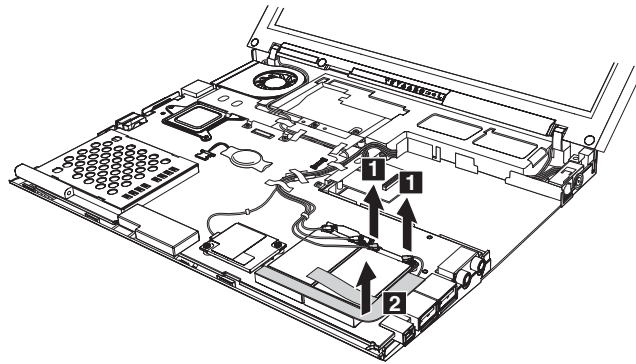


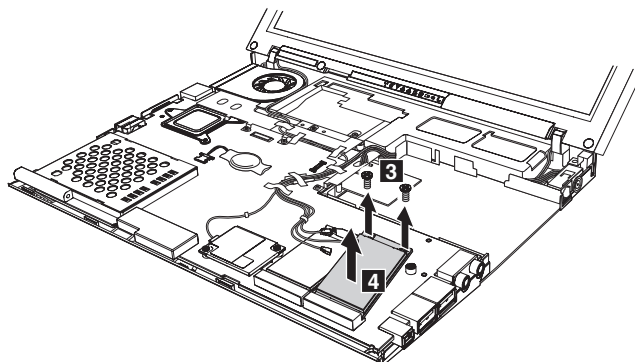
## 1100 Wireless WAN PCI Express Mini card

**Note:** This procedure is only for models with wireless WAN feature. Step 2 is only for models with the Sierra Wireless EV-DO Wireless WAN Mini PCI Express Adapter.

For access, remove following FRUs, in order:

- “1010 Battery pack” on page 56
- “1050 Keyboard” on page 61
- “1060 Upper case” on page 65





For ThinkPad X60 and X60s computers:

| Step     | Screw (quantity)                          | Color  | Torque                  |
|----------|---|--------|-------------------------|
| <b>3</b> | M2 × 3.5 mm, wafer-head, nylon-coated (2) | Silver | 0.157 Nm<br>(1.6 kgfcm) |

For ThinkPad X61 and X61s computers:

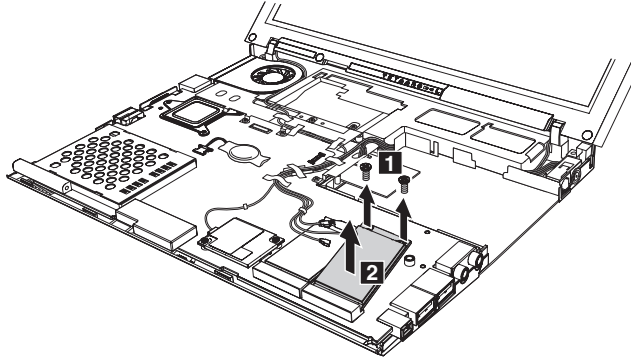
| Step     | Screw (quantity)                          | Color  | Torque                  |
|----------|---|--------|-------------------------|
| <b>3</b> | M2 × 2.5 mm, wafer-head, nylon-coated (2) | Silver | 0.157 Nm<br>(1.6 kgfcm) |

## 1110 Intel Turbo Memory card

**Note:** Either a wireless WAN PCI Express Mini Card or an Intel Turbo Memory card can be installed in the system at one time, as they occupy the same slot.

For access, remove following FRUs, in order:

- “1010 Battery pack” on page 56
- “1050 Keyboard” on page 61
- “1060 Upper case” on page 65



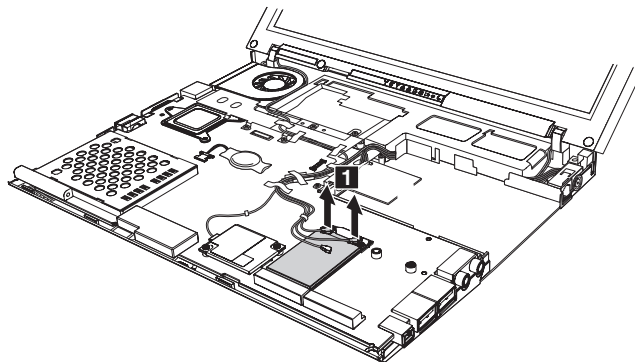
| Step     | Screw (quantity)                          | Color  | Torque                  |
|----------|---|--------|-------------------------|
| <b>1</b> | M2 × 2.5 mm, wafer-head, nylon-coated (2) | Silver | 0.157 Nm<br>(1.6 kgfcm) |

## 1120 Wireless LAN PCI Express Mini card

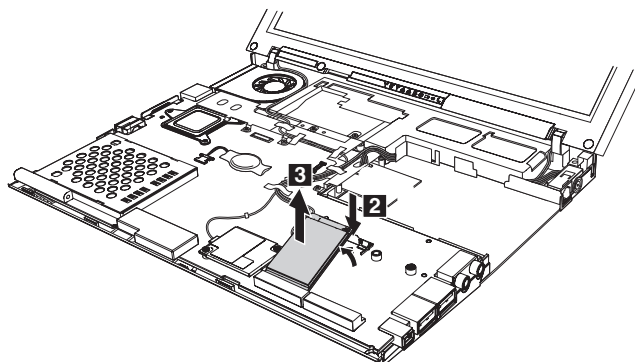
For access, remove following FRUs, in order:

- "1010 Battery pack" on page 56
- "1050 Keyboard" on page 61
- "1060 Upper case" on page 65

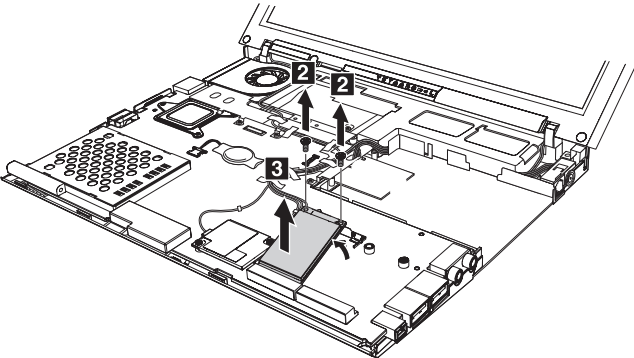
For systems with 802.11a/b/g or 802.11b/g antenna cable connection



For ThinkPad X60 and X60s computers:



For ThinkPad X61 and X61s computers:

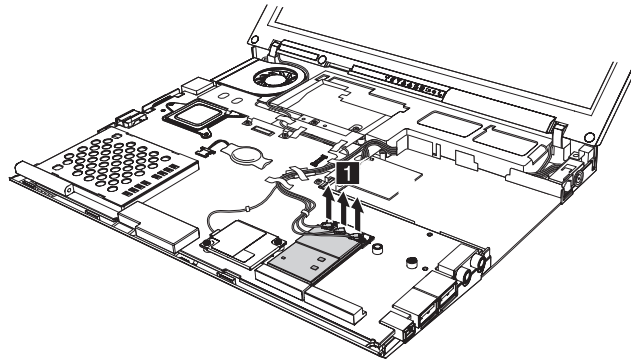


| Step | Screw (quantity)                          | Color  | Torque                  |
|------|---|--------|-------------------------|
| 2    | M2 × 2.5 mm, wafer-head, nylon-coated (2) | Silver | 0.157 Nm<br>(1.6 kgfcm) |

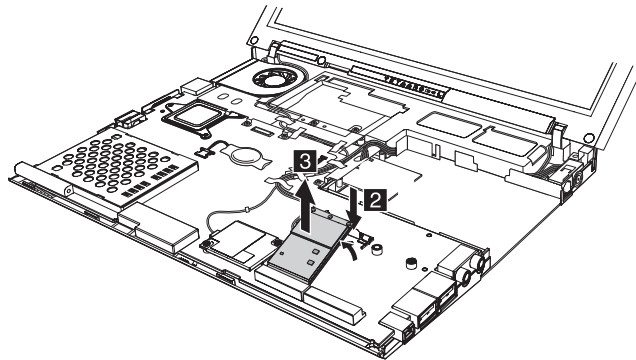
**When installing:** If you are installing a 802.11n wireless LAN card, attach the grey cable to the left connector and the black cable to the right connector. If you attach either cable to the center connector, the connection speed will be lower.

## Removing and replacing a FRU

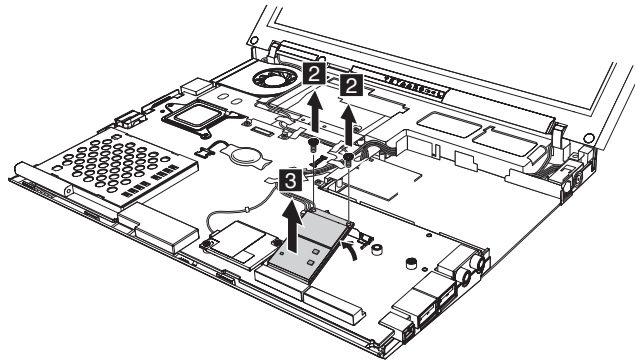
For systems with 802.11n wireless LAN 3rd antenna cable connection



For ThinkPad X60 and X60s computers:



For ThinkPad X61 and X61s computers:



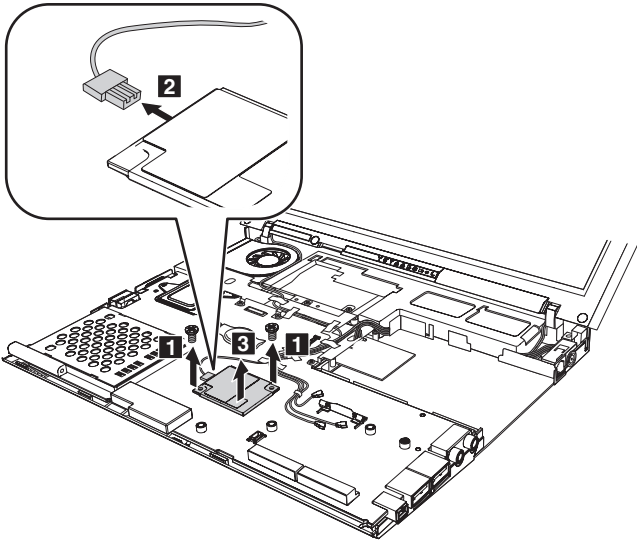
| Step     | Screw (quantity)                          | Color  | Torque                  |
|----------|---|--------|-------------------------|
| <b>2</b> | M2 × 2.5 mm, wafer-head, nylon-coated (2) | Silver | 0.157 Nm<br>(1.6 kgfcm) |

**When installing:** If you are installing a 802.11a/b/g or 802.11b/g card, first insert the connector end of the white cable into a plastic cable bag and affix the cable to the mainboard with tape. Then insert the card, and attach the grey cable to the left connector, and the black cable to the right connector on the card.

### 1130 MDC

For access, remove following FRUs, in order:

- "1010 Battery pack" on page 56
- "1050 Keyboard" on page 61
- "1060 Upper case" on page 65



| Step     | Screw (quantity)                          | Color  | Torque                  |
|----------|---|--------|-------------------------|
| <b>1</b> | M2 × 3.5 mm, wafer-head, nylon-coated (2) | Silver | 0.157 Nm<br>(1.6 kgfcm) |

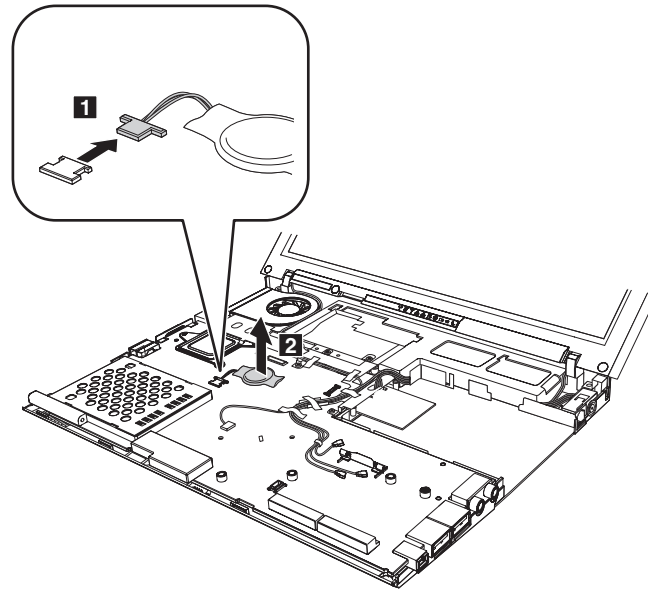
## 1140 Backup battery

**⚠ DANGER**

Use only the battery specified in the parts list for your computer. Any other battery could ignite or explode.

For access, remove following FRUs, in order:

- "1010 Battery pack" on page 56
- "1050 Keyboard" on page 61



**When installing:** Make sure that the battery connector is attached firmly.

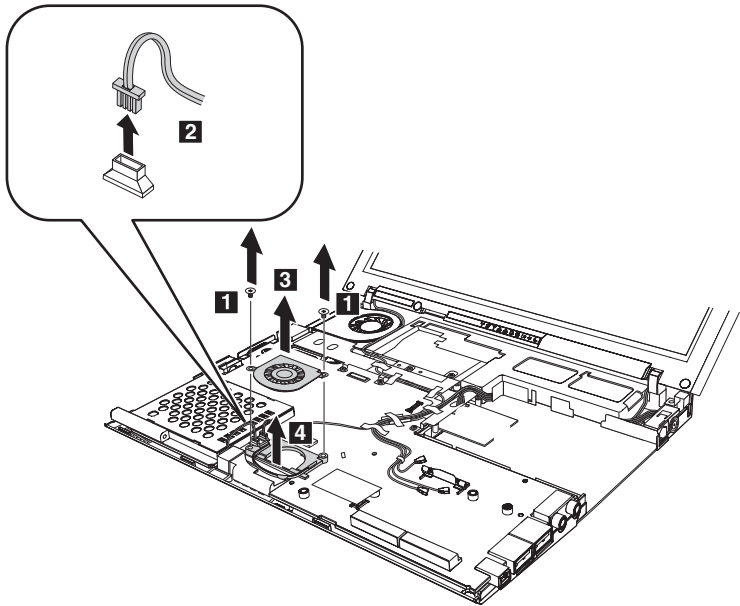


## 1150 Second Fan

**Note:** This procedure is only for ThinkPad X61 and X61s models with wireless WAN.

For access, remove following FRUs, in order:

- "1010 Battery pack" on page 56
- "1050 Keyboard" on page 61
- "1060 Upper case" on page 65



| Step     | Screw (quantity)                          | Color  | Torque                |
|----------|---|--------|-----------------------|
| <b>1</b> | M2 × 2.5 mm, wafer-head, nylon-coated (2) | Silver | 0.196 Nm<br>(2 kgfcm) |

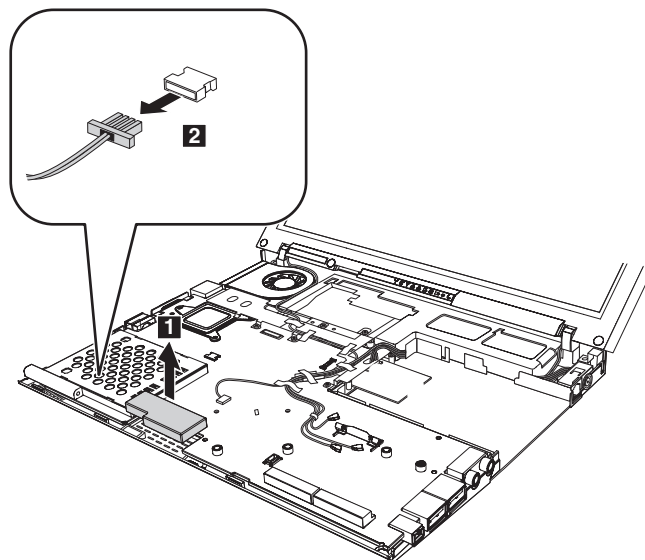
**When installing:** Make sure that the second fan connector is attached firmly.

## 1160 Speaker

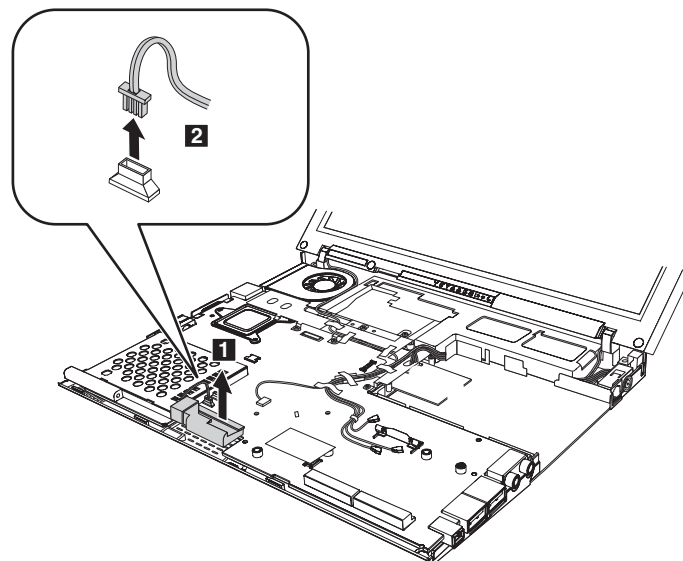
For access, remove following FRUs, in order:

- "1010 Battery pack" on page 56
- "1050 Keyboard" on page 61
- "1060 Upper case" on page 65
- "1150 Second Fan" on page 79

For ThinkPad X60 and X60s computers:



For ThinkPad X61 and X61s computers:

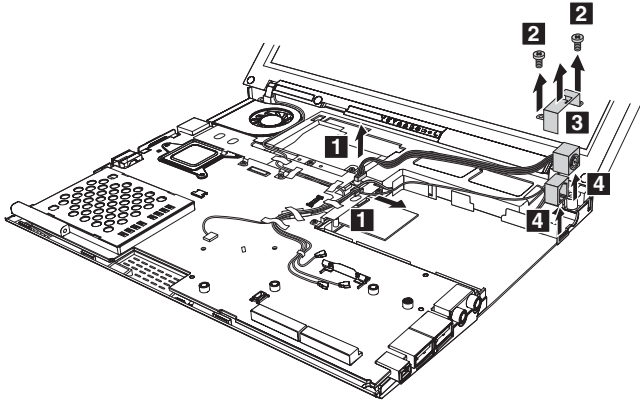


**When installing:** Make sure that the speaker connector is attached firmly.

### 1170 DC-in and RJ-11 connectors

For access, remove following FRUs, in order:

- "1010 Battery pack" on page 56
- "1050 Keyboard" on page 61
- "1060 Upper case" on page 65



| Step | Screw (quantity)                          | Color  | Torque                |
|------|---|--------|-----------------------|
| 2    | M2 × 3.5 mm, wafer-head, nylon-coated (2) | Silver | 0.196 Nm<br>(2 kgfcm) |

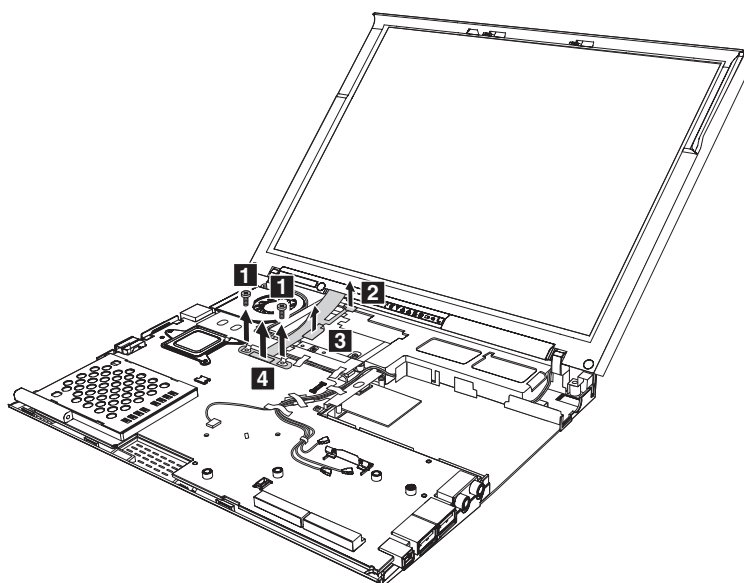
**When installing:** Make sure that the DC-in and RJ-11 cables are routed properly and the connectors are attached firmly.

## 1180 LCD assembly

For access, remove following FRUs, in order:

- “1010 Battery pack” on page 56
- “1050 Keyboard” on page 61
- “1060 Upper case” on page 65
- “1100 Wireless WAN PCI Express Mini card” on page 71
- “1120 Wireless LAN PCI Express Mini card” on page 74

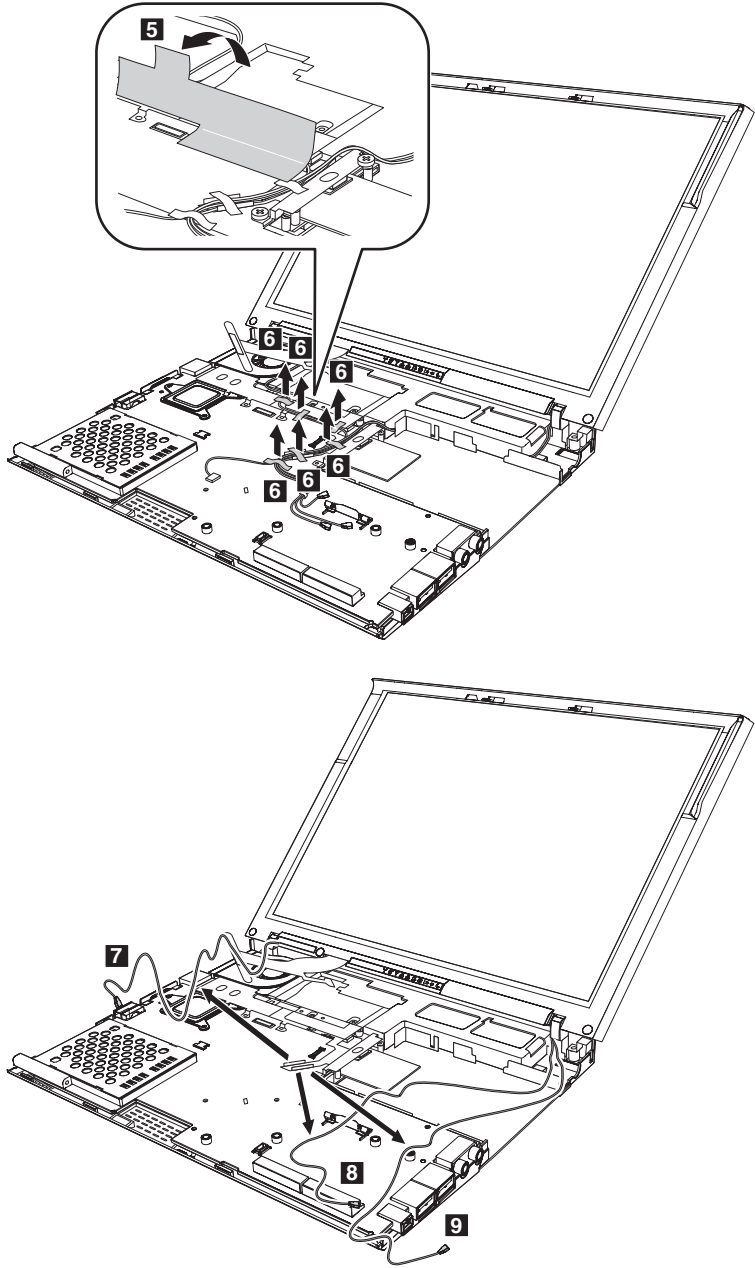
Before removing LCD assembly, detach the connector **4**. Then release the antenna cables in steps **6** to **9**.



| Step     | Screw (quantity)                          | Color  | Torque                |
|----------|---|--------|-----------------------|
| <b>1</b> | M2 × 3.5 mm, wafer-head, nylon-coated (2) | Silver | 0.196 Nm<br>(2 kgfcm) |

(continued)

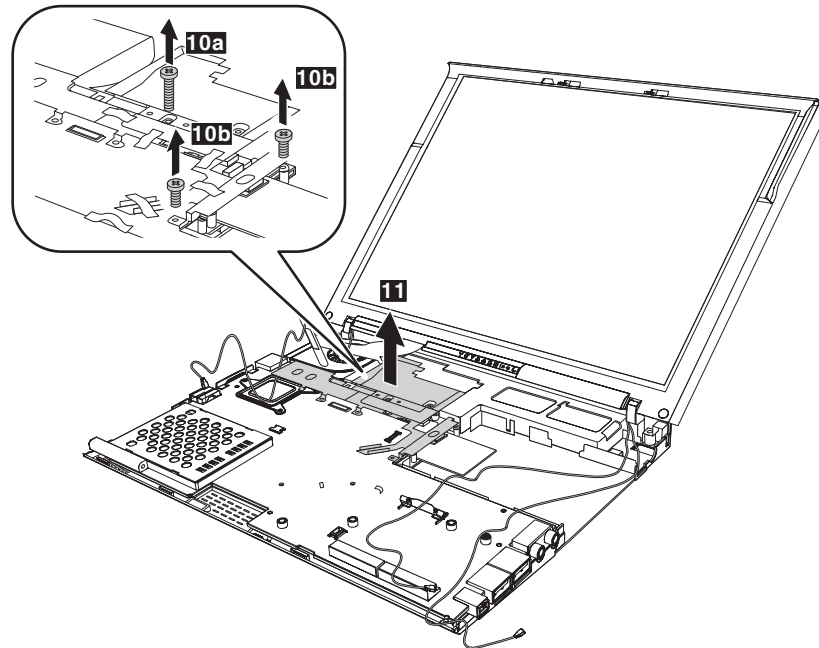
**Note:** For ThinkPad X61 and X61s computers with wireless WAN, first peel up the copper shielding **5** before removing the antenna cables.



**Note:** For 802.11n wireless models, there is an additional white cable from the left side of the LCD instead of one **7**.

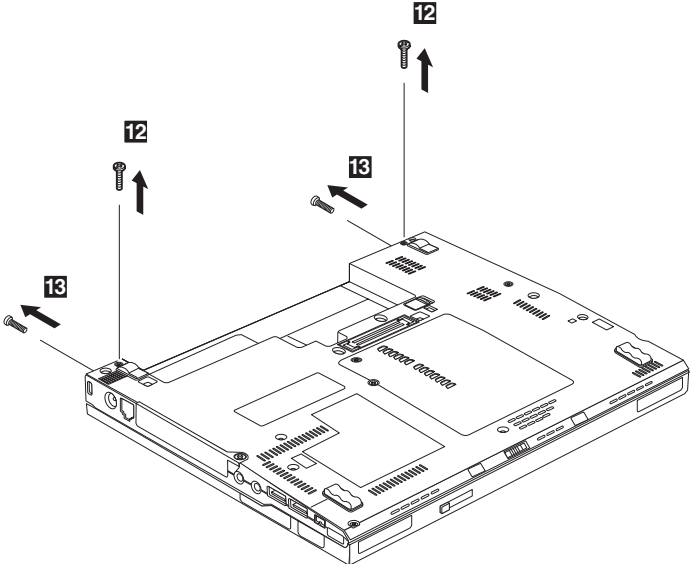
(continued)

## Removing and replacing a FRU

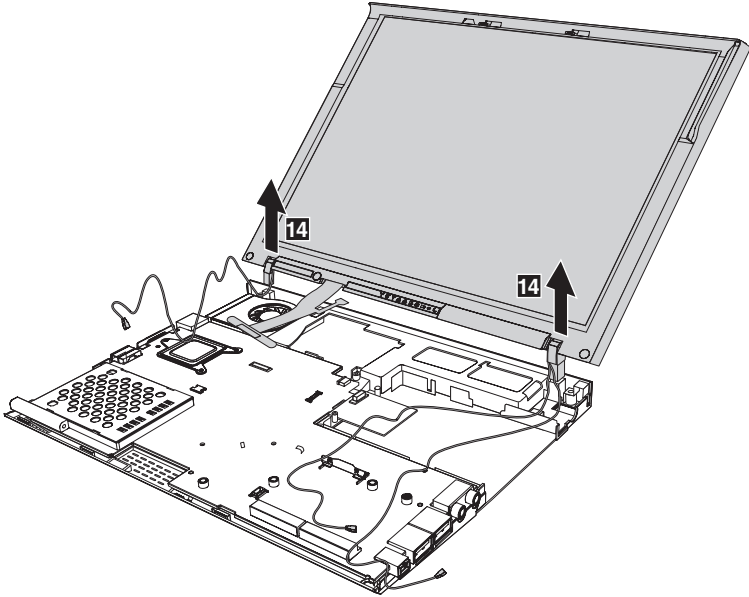


| Step       | Screw (quantity)                          | Color  | Torque                |
|------------|---|--------|-----------------------|
| <b>10a</b> | M2 × 8 mm, wafer-head, nylon-coated (1)   | Silver | 0.196 Nm<br>(2 kgfcm) |
| <b>10b</b> | M2 × 3.5 mm, wafer-head, nylon-coated (2) | Silver | 0.196 Nm<br>(2 kgfcm) |

(continued)



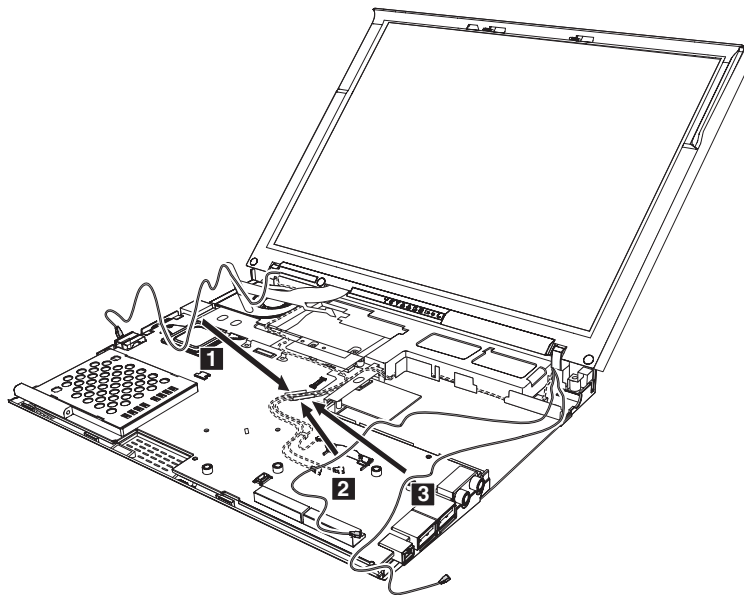
| Step      | Screw (quantity)                        | Color | Torque                |
|-----------|---|-------|-----------------------|
| <b>12</b> | M2 × 6 mm, wafer-head, nylon-coated (2) | Black | 0.196 Nm<br>(2 kgfcm) |
| <b>13</b> | M2 × 6 mm, wafer-head, nylon-coated (2) | Black | 0.196 Nm<br>(2 kgfcm) |



(continued)

## Removing and replacing a FRU

**When installing:** When fitting the LCD hinge into the system, make sure the wireless antenna cables do not get pinched in by the hinge. Then route the wireless antenna cables as shown below. For wireless WAN: red or black with red tag is main; blue is aux. For wireless LAN: gray is main; black is aux; white is MIMO (for 802.11n models). Remember to reattach the mylar and tapes.

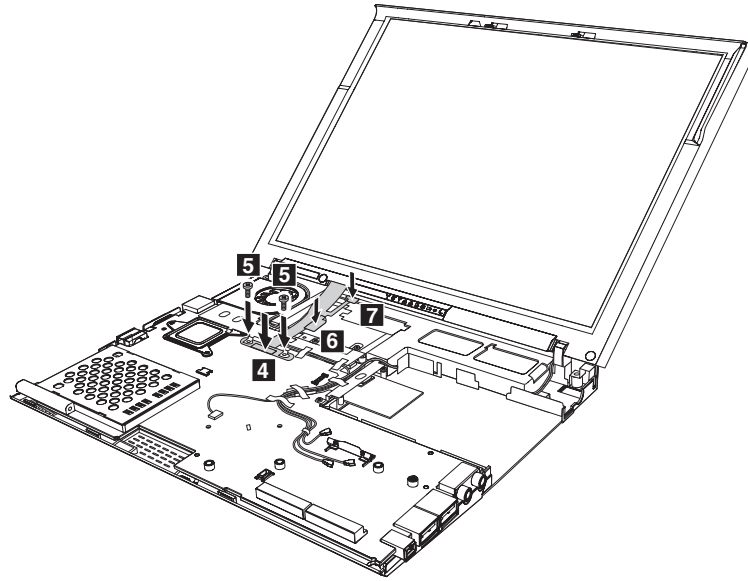


**Note:** For ThinkPad X61 and X61s computers with wireless WAN, re-affix the copper shielding to cover the antenna cables.

(continued)



**When installing:** Make sure to position the LCD cable properly and reattach the mylar and tape. The LCD cable switch should fit in its slot **7**.



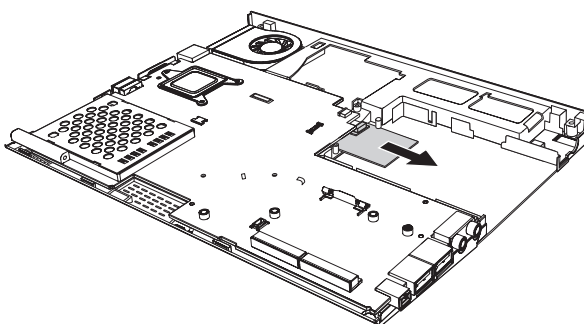
## 1190 Hard disk sub-card

For access, remove following FRUs, in order:

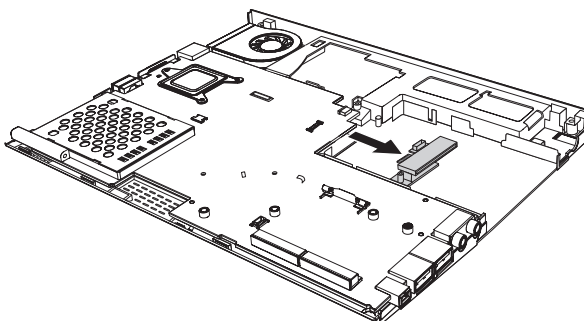
- "1010 Battery pack" on page 56
- "1020 Hard disk drive (2.5-inch) and HDD rubber rails" on page 57
- "1050 Keyboard" on page 61
- "1060 Upper case" on page 65
- "1080 Hard disk (1.8-inch)" on page 69
- "1090 Hard disk housing (1.8-inch)" on page 70
- "1170 DC-in and RJ-11 connectors" on page 81
- "1180 LCD assembly" on page 82

**Note:** The hard disk sub-card is different for 2.5-inch hard disk drives and 1.8-inch hard disk drives.

### For 1.8-inch hard disk drive



### For 2.5-inch hard disk drive



## 1200 System board and lower case assembly with label

For access, remove following FRUs, in order:

- “1010 Battery pack” on page 56
- “1020 Hard disk drive (2.5-inch) and HDD rubber rails” on page 57
- “1030 DIMM cover” on page 59
- “1050 Keyboard” on page 61
- “1060 Upper case” on page 65
- “1080 Hard disk (1.8-inch)” on page 69
- “1090 Hard disk housing (1.8-inch)” on page 70
- “1100 Wireless WAN PCI Express Mini card” on page 71 or “1110 Intel Turbo Memory card” on page 73
- “1120 Wireless LAN PCI Express Mini card” on page 74
- “1130 MDC” on page 77
- “1150 Second Fan” on page 79
- “1160 Speaker” on page 80
- “1170 DC-in and RJ-11 connectors” on page 81
- “1180 LCD assembly” on page 82
- “1190 Hard disk sub-card” on page 88

### Important notices for handling the system board

When handling the system board, bear the following in mind.

- The system board has an accelerometer, which can be broken by applying several thousands of G-forces.

**Note:** Dropping a system board from a height of as little as 6 inches so that it falls flat on a hard bench can subject the accelerometer to as much as 6,000 G's of shock.

- Be careful not to drop the system board on a bench top that has a hard surface, such as metal, wood, or composite.
- If a system board is dropped, you must test it, using PC-Doctor for DOS, to make sure that the HDD Active Protection still functions (see below).

**Note:** If the test shows that HDD Active Protection is not functioning, be sure to document the drop in any reject report, and replace the system board.

- Avoid rough handling of any kind.
- At every point in the process, be sure not to drop or stack the system board.
- If you put a system board down, be sure to put it only on a padded surface such as an ESD mat or conductive corrugated material.

After replacing the system board, run PC-Doctor for DOS to make sure that HDD Active Protection still functions. The procedure is as follows:

1. Place the computer on a horizontal surface.
2. Run **Diagnostics --> ThinkPad Devices --> HDD Active Protection Test**.

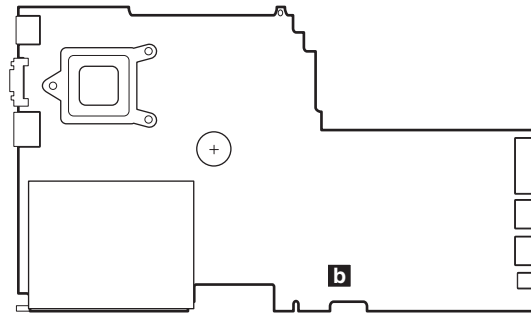
**Attention:** Do not apply physical shock to the computer while the test is running.

## Removing and replacing a FRU

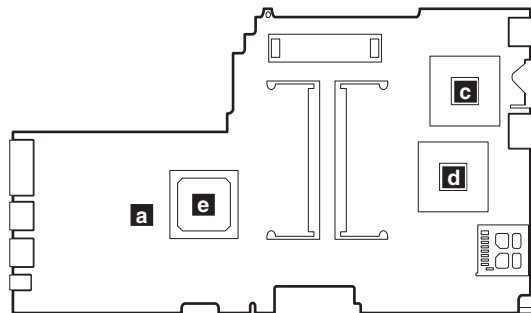
Following components soldered on the top and bottom sides of the system board are extremely sensitive. When you service the system board, avoid any kind of rough handling.

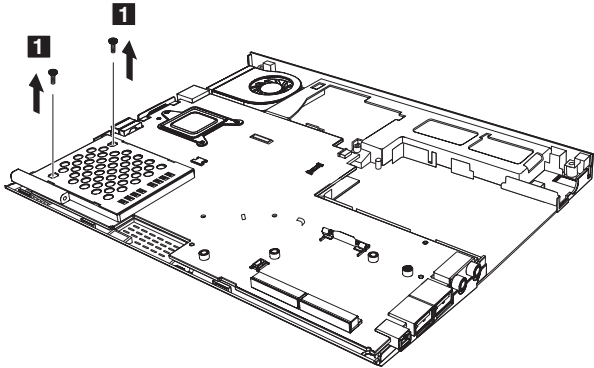
- a** Accelerometer chip for the HDD Active Protection System
- b** Security chip
- c** CPU
- d** MCH (Memory Controller Hub)
- e** ICH (I/O Controller Hub)

### Top

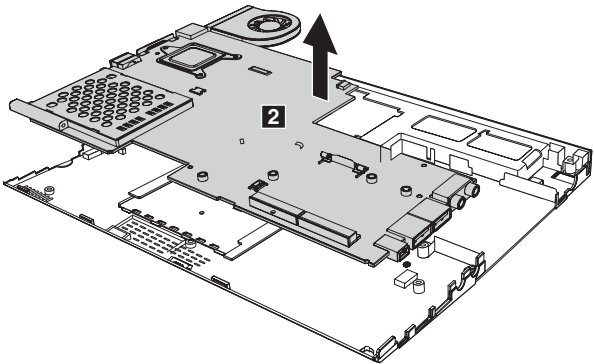


### Bottom

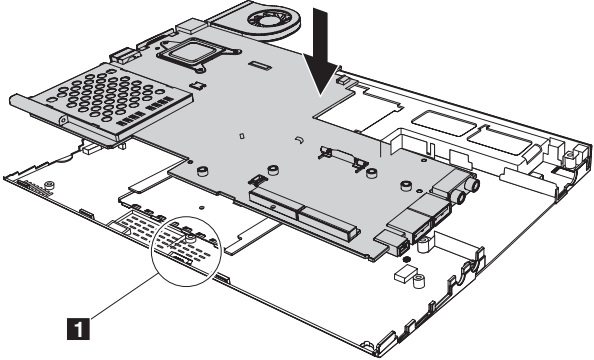




| Step     | Screw (quantity)                          | Color  | Torque                   |
|----------|---|--------|--------------------------|
| <b>1</b> | M2 × 3.5 mm, wafer-head, nylon-coated (2) | Silver | 0.1372 Nm<br>(1.4 kgfcm) |



**When installing:** Do not damage the wireless micro switch **1** on the system board.

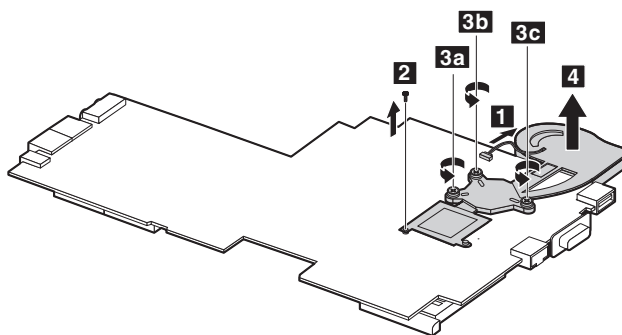


## 1210 Fansink

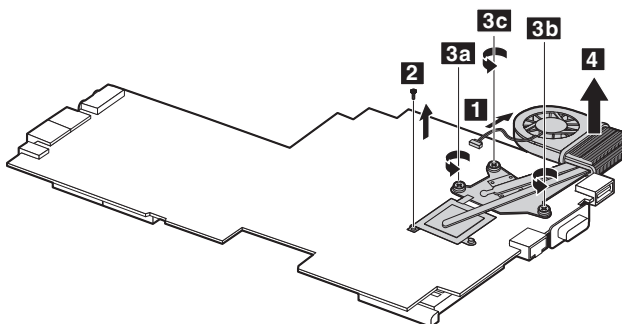
For access, remove following FRUs, in order:

- "1010 Battery pack" on page 56
- "1020 Hard disk drive (2.5-inch) and HDD rubber rails" on page 57
- "1030 DIMM cover" on page 59
- "1050 Keyboard" on page 61
- "1060 Upper case" on page 65
- "1080 Hard disk (1.8-inch)" on page 69
- "1090 Hard disk housing (1.8-inch)" on page 70
- "1100 Wireless WAN PCI Express Mini card" on page 71
- "1120 Wireless LAN PCI Express Mini card" on page 74
- "1130 MDC" on page 77
- "1150 Second Fan" on page 79
- "1160 Speaker" on page 80
- "1170 DC-in and RJ-11 connectors" on page 81
- "1180 LCD assembly" on page 82
- "1190 Hard disk sub-card" on page 88
- "1200 System board and lower case assembly with label" on page 89

For models with LV processor



For models with NV processor



| Step     | Screw (quantity)                           | Color  | Torque                  |
|----------|--|--------|-------------------------|
| <b>2</b> | M2 × 3.5 mm, wafer-head, nylon-coated (1)  | Silver | 0.196 Nm<br>(2 kgfcm)   |
| <b>3</b> | M2 × 7.5 mm, flat-head, spring-loaded, (3) | Silver | 0.245 Nm<br>(2.5 kgfcm) |

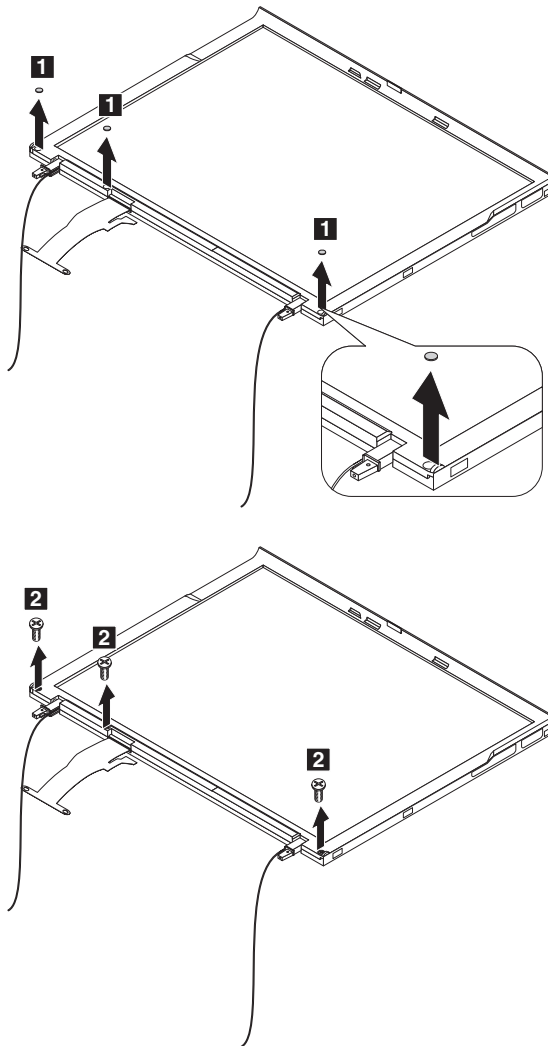
**Note:** Remove the fansink screws in the order shown: **3a** , **3b** , and **3c** .

## 2010 LCD bezel

For access, remove following FRUs, in order:

- "1010 Battery pack" on page 56
- "1050 Keyboard" on page 61
- "1060 Upper case" on page 65
- "1100 Wireless WAN PCI Express Mini card" on page 71
- "1120 Wireless LAN PCI Express Mini card" on page 74
- "1170 DC-in and RJ-11 connectors" on page 81
- "1180 LCD assembly" on page 82

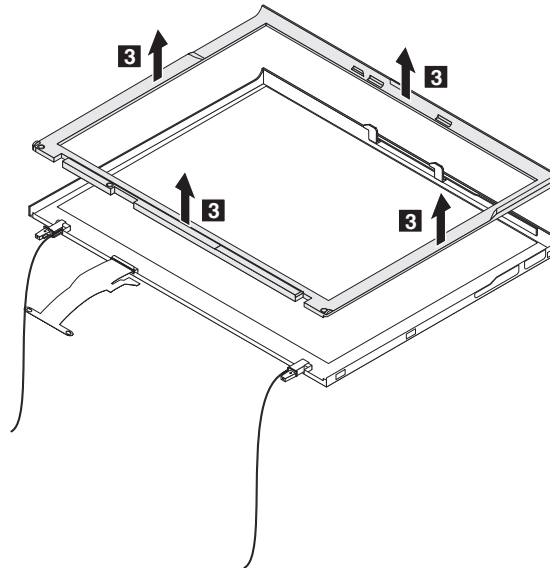
For SPWG LCD



| Step     | Screw (quantity)                          | Color | Torque                |
|----------|---|-------|-----------------------|
| <b>2</b> | M2.5 × 5 mm, wafer-head, nylon-coated (3) | Black | 0.294 Nm<br>(3 kgfcm) |

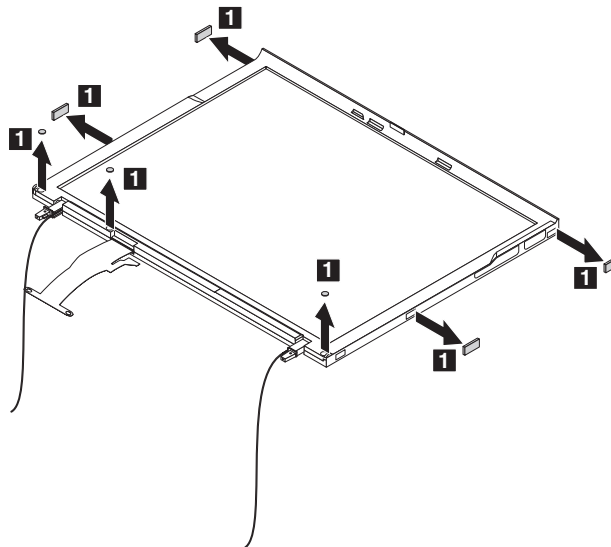
**Note:** The adhesive on the bezel can make bezel removal difficult.

(continued)



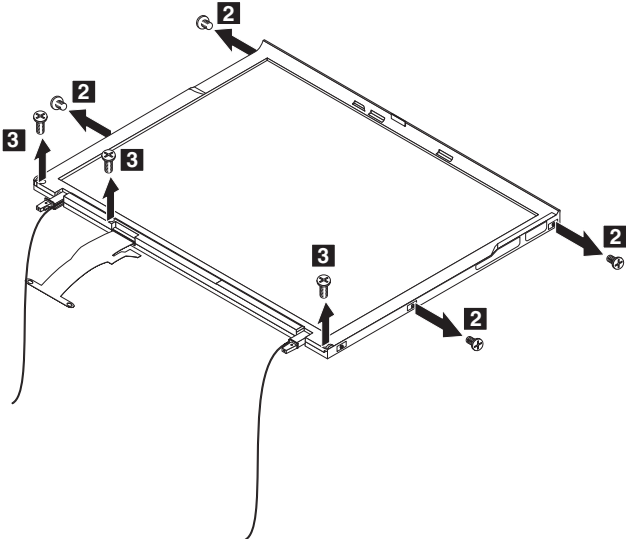
**When installing:** The replacement bezel should have adhesive pre-applied; therefore, remove the covering from the bezel to expose the adhesive, and then place the top edge under the frame, then push the bezel down and secure with the latches firmly. Be careful to route the antenna cables properly.

For TMD LCD



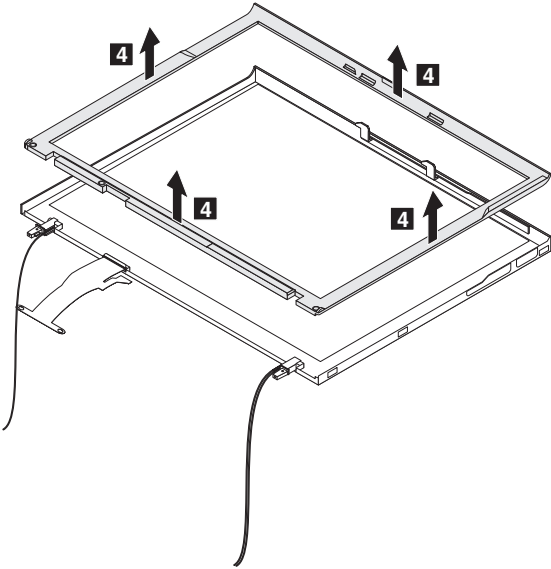
(continued)





| Step     | Screw (quantity)                          | Color | Torque                   |
|----------|---|-------|--------------------------|
| <b>2</b> | M2 × 2.5 mm, wafer-head, nylon-coated (4) | Black | 0.1568 Nm<br>(1.6 kgfcm) |
| <b>3</b> | M2.5 × 5 mm, wafer-head, nylon-coated (3) | Black | 0.294 Nm<br>(3 kgfcm)    |

**Note:** The adhesive on the bezel can make bezel removal difficult.

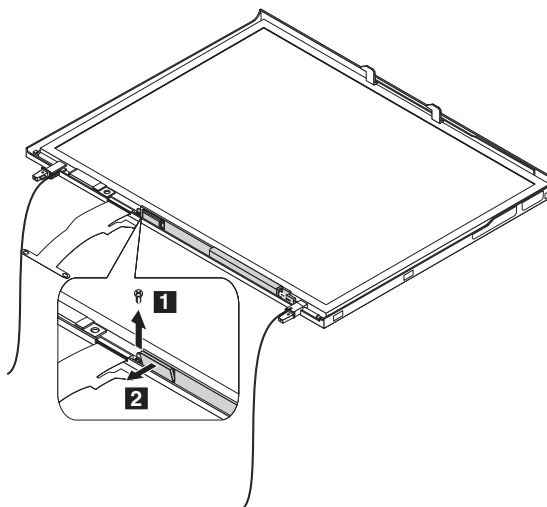


**When installing:** The replacement bezel should have adhesive pre-applied; therefore, remove the covering from the bezel to expose the adhesive, and then place the top edge under the frame, then push the bezel down and secure with the latches firmly. Be careful to route the antenna cables properly.

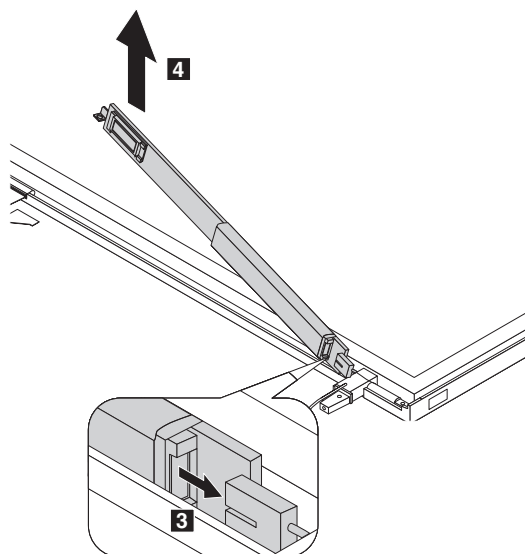
## 2020 Inverter card

For access, remove following FRUs, in order:

- "1010 Battery pack" on page 56
- "1050 Keyboard" on page 61
- "1060 Upper case" on page 65
- "1100 Wireless WAN PCI Express Mini card" on page 71
- "1120 Wireless LAN PCI Express Mini card" on page 74
- "1170 DC-in and RJ-11 connectors" on page 81
- "1180 LCD assembly" on page 82
- "2010 LCD bezel" on page 93



| Step     | Screw (quantity)                          | Color  | Torque                   |
|----------|---|--------|--------------------------|
| <b>1</b> | M2 × 2.5 mm, wafer-head, nylon-coated (1) | Silver | 0.1568 Nm<br>(1.6 kgfcm) |



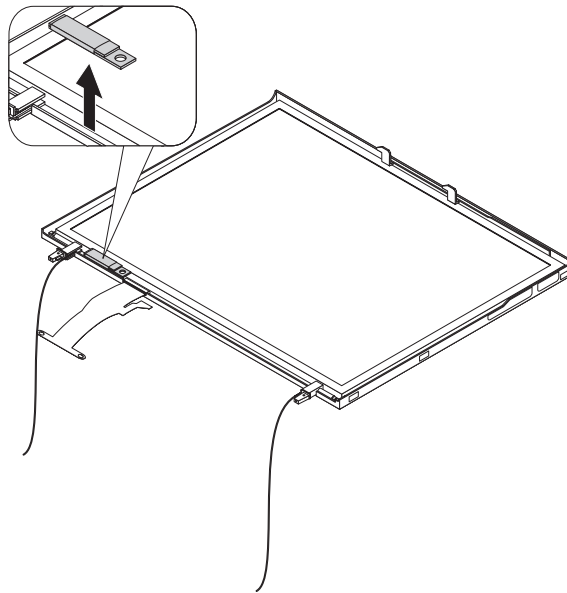
**When installing:** Make sure that both connectors are attached firmly.

## 2030 *Bluetooth* daughter card

**Note:** The following procedures are for models with *Bluetooth*.

For access, remove following FRUs, in order:

- “1010 Battery pack” on page 56
- “1050 Keyboard” on page 61
- “1060 Upper case” on page 65
- “1100 Wireless WAN PCI Express Mini card” on page 71
- “1120 Wireless LAN PCI Express Mini card” on page 74
- “1170 DC-in and RJ-11 connectors” on page 81
- “1180 LCD assembly” on page 82
- “2010 LCD bezel” on page 93
- “2020 Inverter card” on page 96



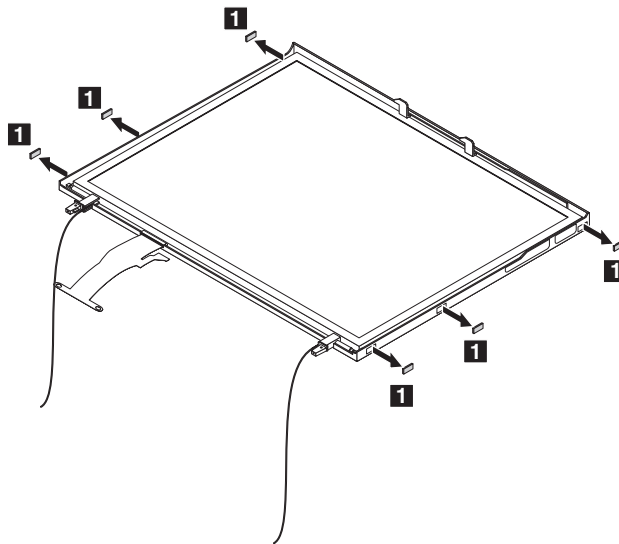
**When installing:** Make sure that the connector is attached firmly.

## 2040 LCD

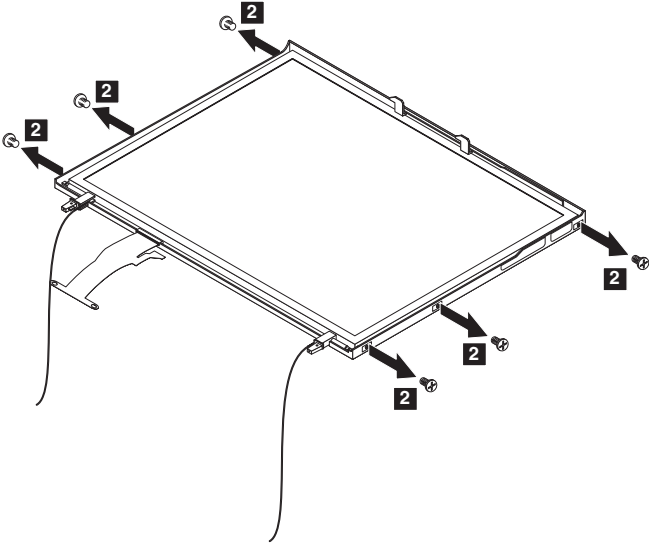
For access, remove following FRUs, in order:

- "1010 Battery pack" on page 56
- "1050 Keyboard" on page 61
- "1060 Upper case" on page 65
- "1100 Wireless WAN PCI Express Mini card" on page 71
- "1120 Wireless LAN PCI Express Mini card" on page 74
- "1170 DC-in and RJ-11 connectors" on page 81
- "1180 LCD assembly" on page 82
- "2010 LCD bezel" on page 93
- "2020 Inverter card" on page 96
- "2030 *Bluetooth* daughter card" on page 97

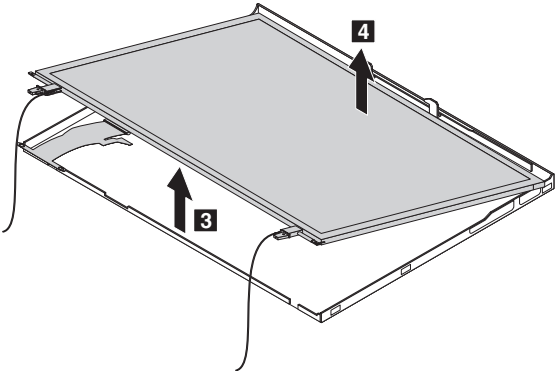
For SPWG LCD



(continued)



| Step | Screw (quantity)                          | Color | Torque                   |
|------|---|-------|--------------------------|
| 2    | M2 × 2.5 mm, wafer-head, nylon-coated (6) | Black | 0.1568 Nm<br>(1.6 kgfcm) |

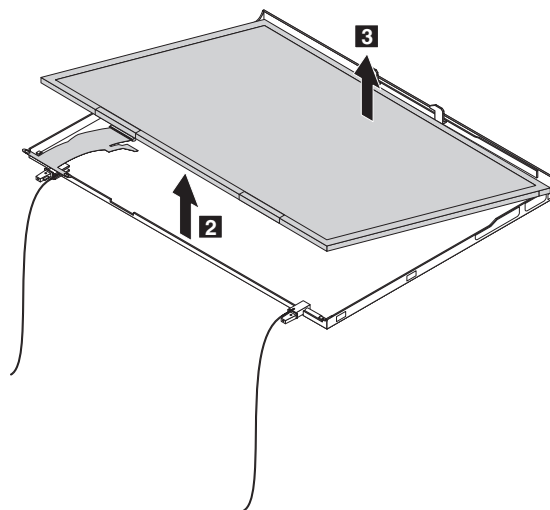
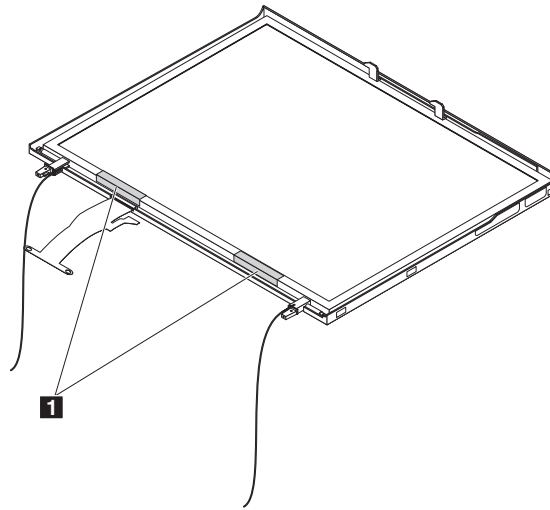


(continued)

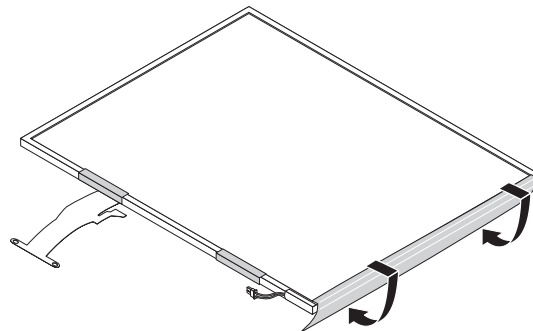
## Removing and replacing a FRU

For TMD LCD

**When removing:** Make sure you do not touch or put pressure on these two sections of the LCD indicated below.



**When installing:** Affix the aluminum shielding for ThinkPad X61 and X61s models with wireless WAN.

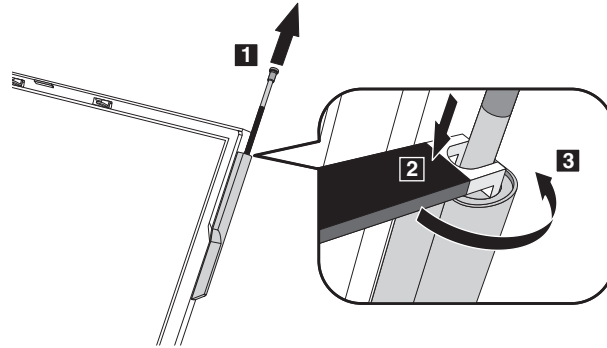


## 2050 Wireless WAN retractable antenna

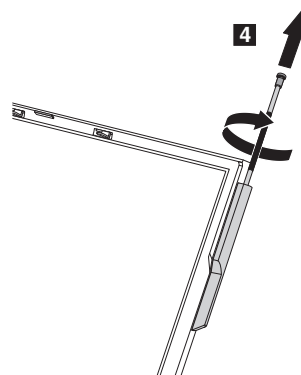
**Note:** This procedure is only for ThinkPad X61 and X61s computers with wireless WAN.

For access, remove following FRUs, in order:

- “1010 Battery pack” on page 56



**Note:** The special tool shown in step **2** for removing the rod antenna is shipped with the rod antenna FRU.

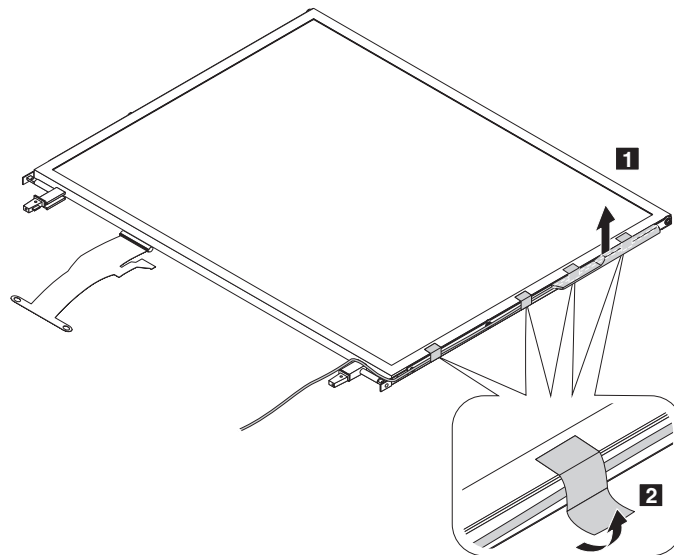


## 2060 Wireless WAN antenna cable (SPWG)

**Note:** The following procedure is for SPWG LCD only.

For access, remove following FRUs, in order:

- "1010 Battery pack" on page 56
- "1050 Keyboard" on page 61
- "1060 Upper case" on page 65
- "1100 Wireless WAN PCI Express Mini card" on page 71
- "1120 Wireless LAN PCI Express Mini card" on page 74
- "1170 DC-in and RJ-11 connectors" on page 81
- "1180 LCD assembly" on page 82
- "2010 LCD bezel" on page 93
- "2020 Inverter card" on page 96
- "2030 *Bluetooth* daughter card" on page 97
- "2040 LCD" on page 98
- "2050 Wireless WAN retractable antenna" on page 101



**When installing:** Route the cable properly along the side and into the hinge, and reattach the tape.

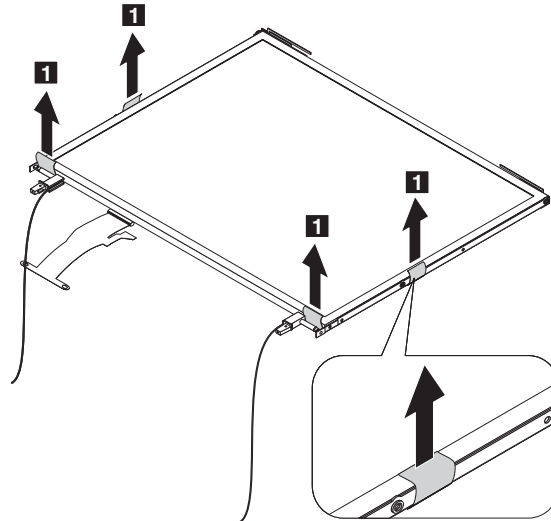


## 2070 Wireless LAN antenna cables (SPWG)

**Note:** The following procedure is for SPWG LCD only.

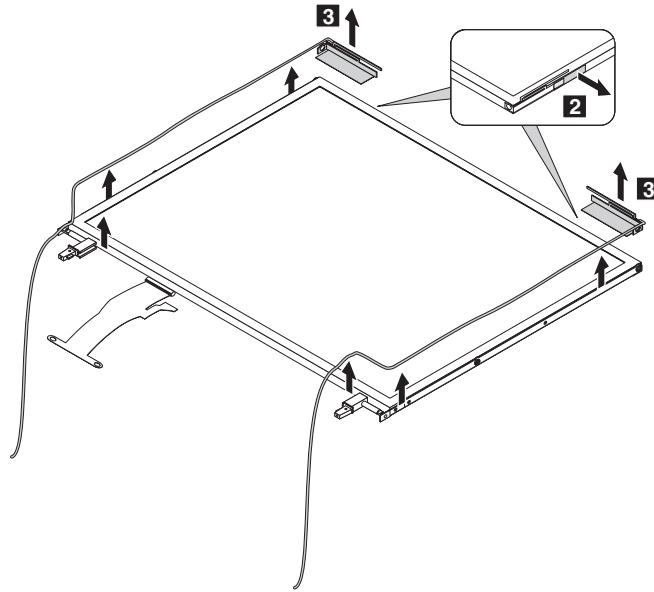
For access, remove following FRUs, in order:

- “1010 Battery pack” on page 56
- “1050 Keyboard” on page 61
- “1060 Upper case” on page 65
- “1100 Wireless WAN PCI Express Mini card” on page 71
- “1120 Wireless LAN PCI Express Mini card” on page 74
- “1170 DC-in and RJ-11 connectors” on page 81
- “1180 LCD assembly” on page 82
- “2010 LCD bezel” on page 93
- “2020 Inverter card” on page 96
- “2030 *Bluetooth* daughter card” on page 97
- “2040 LCD” on page 98
- “2050 Wireless WAN retractable antenna” on page 101
- “2060 Wireless WAN antenna cable (SPWG)” on page 102



(continued)

*Removing and replacing a FRU*



**When installing:** Route the cable properly along the side and into the hinge.

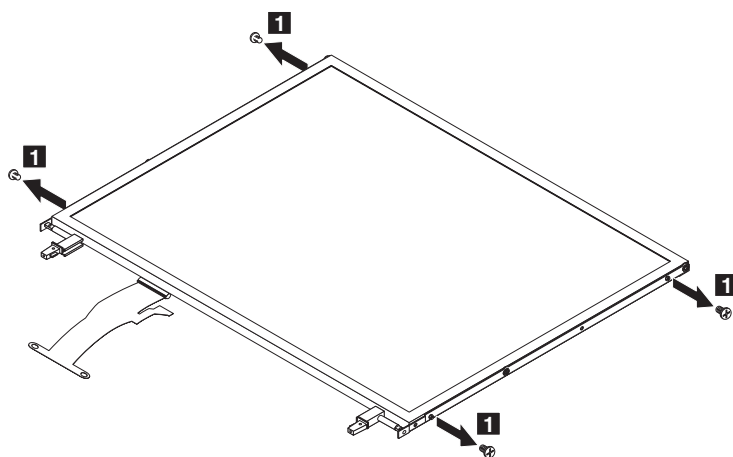
## 2080 Hinges

For access, remove following FRUs, in order:

- "1010 Battery pack" on page 56
- "1050 Keyboard" on page 61
- "1060 Upper case" on page 65
- "1100 Wireless WAN PCI Express Mini card" on page 71
- "1120 Wireless LAN PCI Express Mini card" on page 74
- "1170 DC-in and RJ-11 connectors" on page 81
- "1180 LCD assembly" on page 82
- "2010 LCD bezel" on page 93
- "2020 Inverter card" on page 96
- "2030 *Bluetooth* daughter card" on page 97
- "2040 LCD" on page 98
- "2050 Wireless WAN retractable antenna" on page 101
- "2060 Wireless WAN antenna cable (SPWG)" on page 102
- "2070 Wireless LAN antenna cables (SPWG)" on page 103

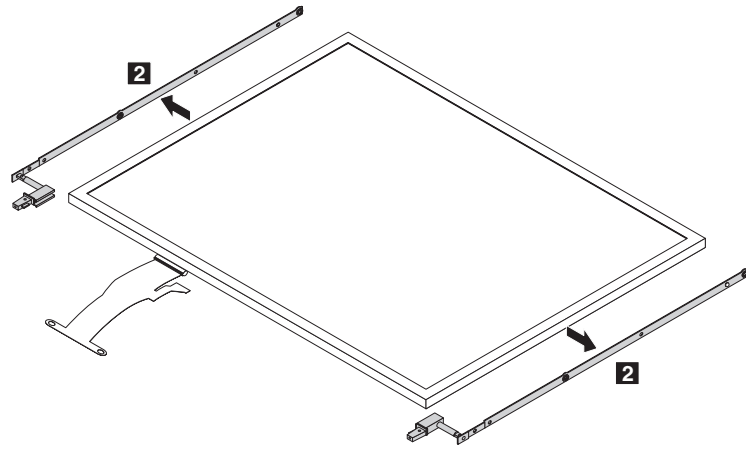
**Note:** For SPWG LCD, remove the antenna cables before removing the hinges. For TMD LCD, remove the hinges before the antenna cables.

**For SPWG LCD**



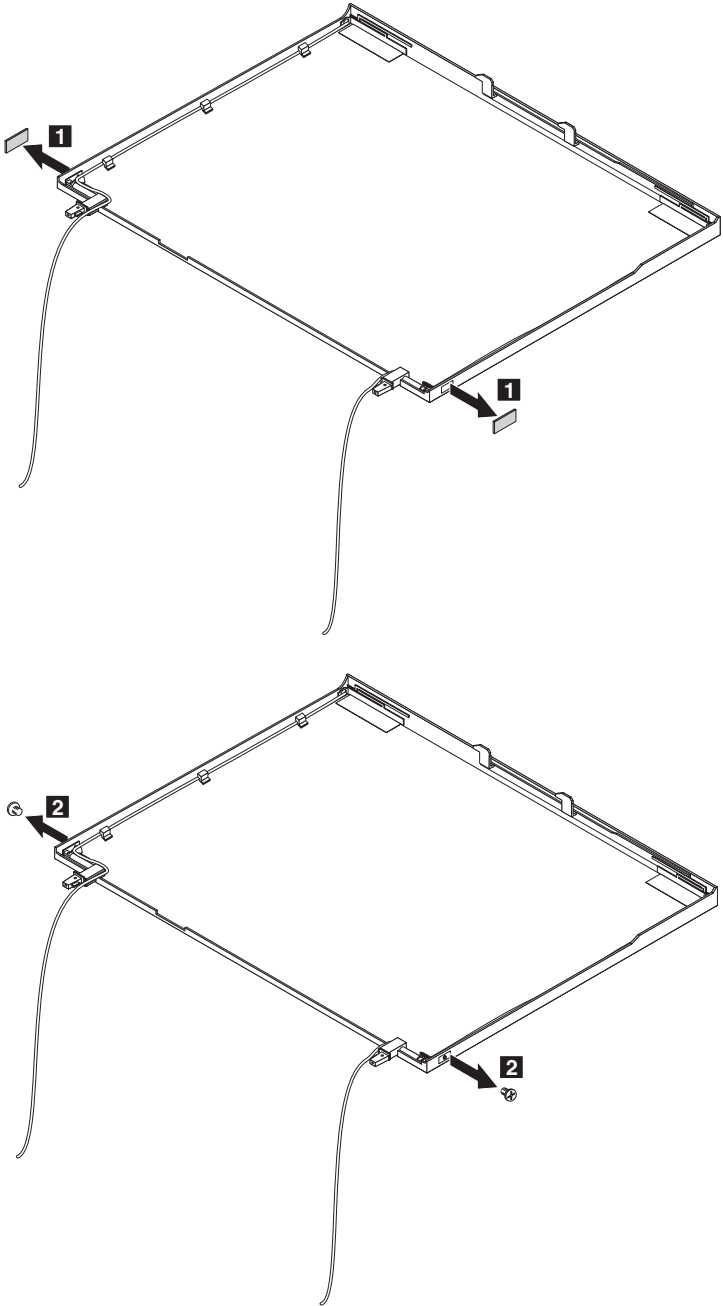
| Step     | Screw (quantity)                          | Color  | Torque                   |
|----------|---|--------|--------------------------|
| <b>1</b> | M2 × 2.5 mm, wafer-head, nylon-coated (4) | Silver | 0.1568 Nm<br>(1.6 kgfcm) |

*Removing and replacing a FRU*



(continued)

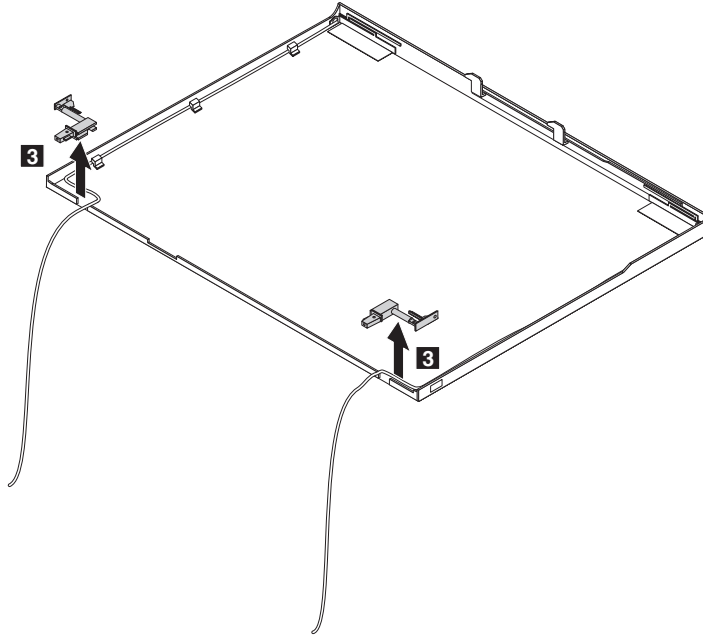
For TMD LCD



| Step     | Screw (quantity)                          | Color | Torque                   |
|----------|---|-------|--------------------------|
| <b>2</b> | M2 × 2.5 mm, wafer-head, nylon-coated (2) | Black | 0.1568 Nm<br>(1.6 kgfcm) |

(continued)

*Removing and replacing a FRU*

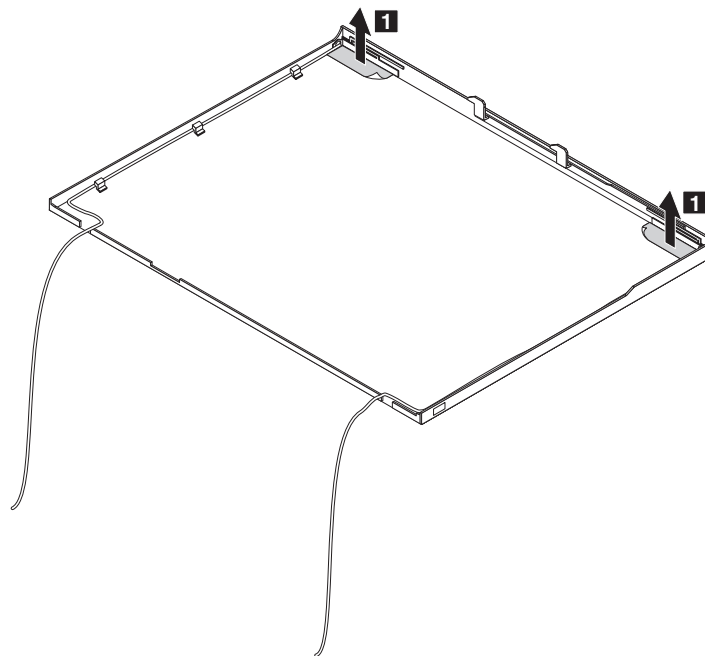


## 2090 Wireless LAN antenna cables (TMD)

**Note:** The following procedure is for TMD LCD only.

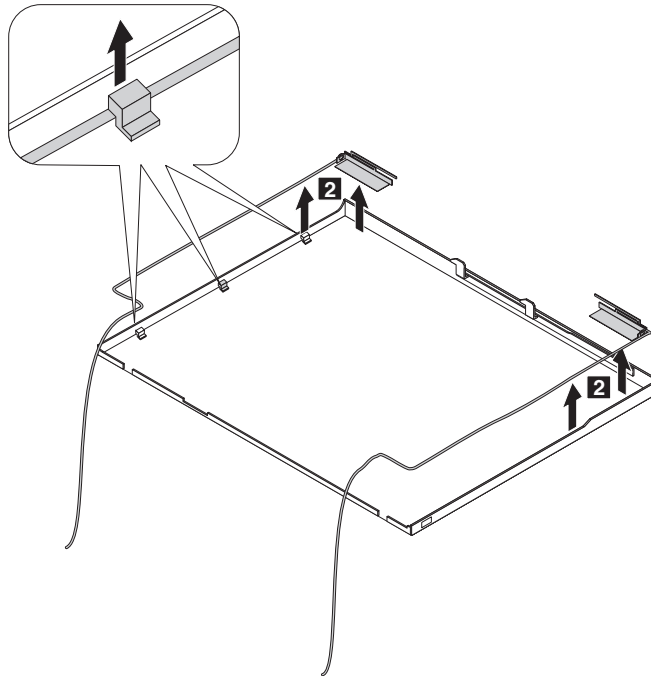
For access, remove following FRUs, in order:

- "1010 Battery pack" on page 56
- "1050 Keyboard" on page 61
- "1060 Upper case" on page 65
- "1100 Wireless WAN PCI Express Mini card" on page 71
- "1120 Wireless LAN PCI Express Mini card" on page 74
- "1170 DC-in and RJ-11 connectors" on page 81
- "1180 LCD assembly" on page 82
- "2010 LCD bezel" on page 93
- "2020 Inverter card" on page 96
- "2030 *Bluetooth* daughter card" on page 97
- "2040 LCD" on page 98
- "2080 Hinges" on page 105



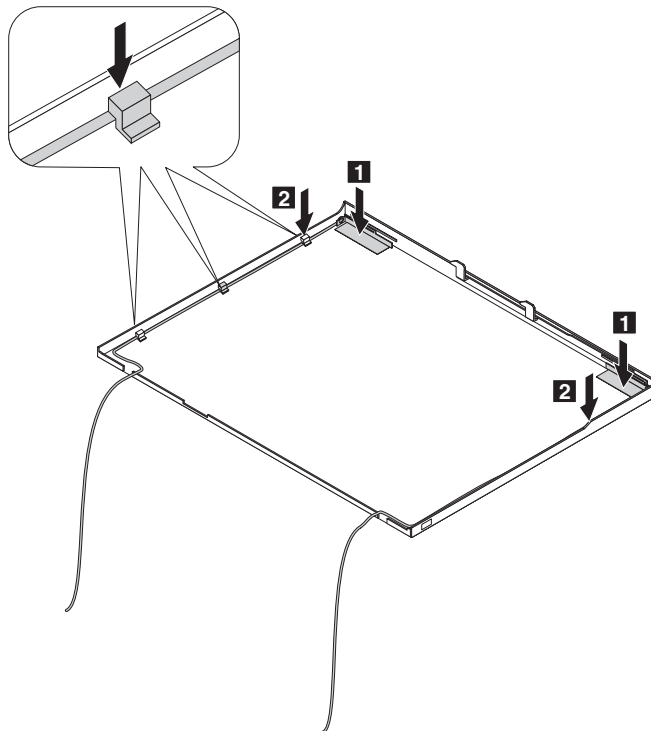
(continued)

## Removing and replacing a FRU



**Note:** For models without wireless WAN, the only antenna present on the right-side is the aux wireless LAN antenna.

**When installing:** Route the cable properly inside the ribs as shown below.



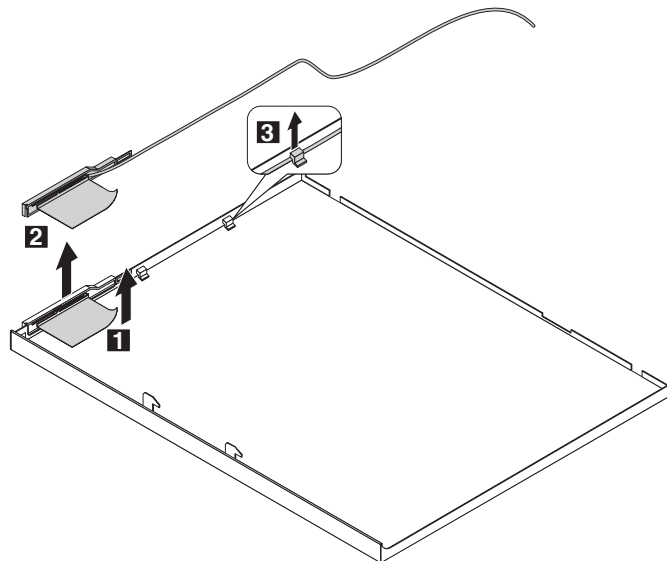


## 2100 Wireless WAN antenna cable (TMD)

**Note:** The following procedure is for TMD LCD only.

For access, remove following FRUs, in order:

- “1010 Battery pack” on page 56
- “1050 Keyboard” on page 61
- “1060 Upper case” on page 65
- “1100 Wireless WAN PCI Express Mini card” on page 71
- “1120 Wireless LAN PCI Express Mini card” on page 74
- “1170 DC-in and RJ-11 connectors” on page 81
- “1180 LCD assembly” on page 82
- “2010 LCD bezel” on page 93
- “2020 Inverter card” on page 96
- “2030 *Bluetooth* daughter card” on page 97
- “2040 LCD” on page 98
- “2050 Wireless WAN retractable antenna” on page 101
- “2080 Hinges” on page 105
- “2090 Wireless LAN antenna cables (TMD)” on page 109

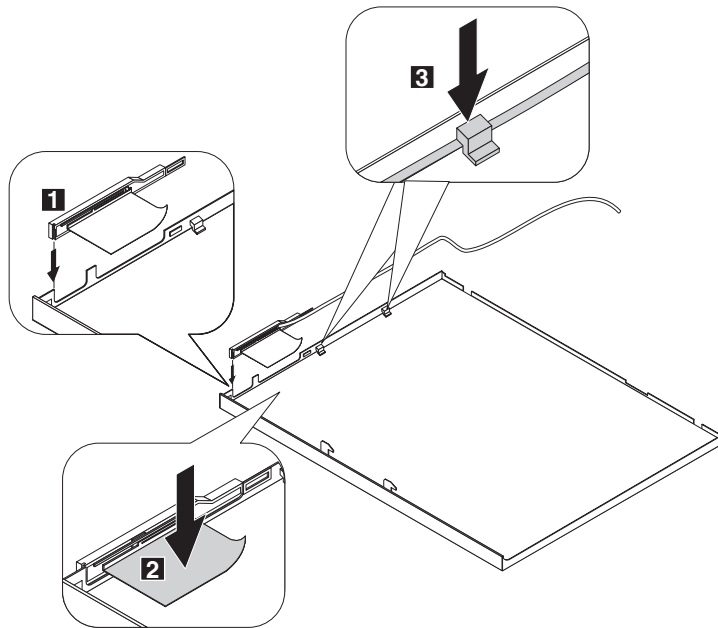


(continued)

## Removing and replacing a FRU

**Note:** For models with wireless WAN, the antennas present on the right-side are the aux wireless LAN antenna and the main wireless WAN antenna.

**When installing:** Before installing the LCD, fit the WAN antenna cover first **1**, reattach the tape **2**, then route the cable properly inside the ribs **3** as shown below.

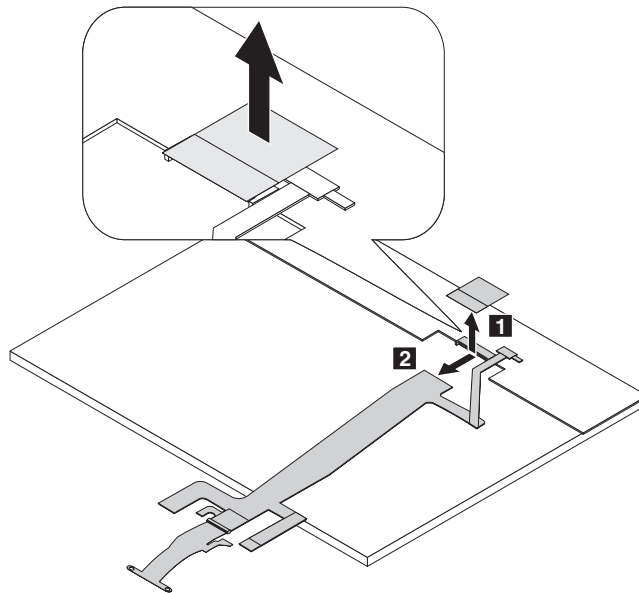


## 2110 LCD panel and LCD cable

For access, remove following FRUs, in order:

- "1010 Battery pack" on page 56
- "1050 Keyboard" on page 61
- "1060 Upper case" on page 65
- "1100 Wireless WAN PCI Express Mini card" on page 71
- "1120 Wireless LAN PCI Express Mini card" on page 74
- "1170 DC-in and RJ-11 connectors" on page 81
- "1180 LCD assembly" on page 82
- "2010 LCD bezel" on page 93
- "2020 Inverter card" on page 96
- "2030 *Bluetooth* daughter card" on page 97
- "2040 LCD" on page 98
- "2050 Wireless WAN retractable antenna" on page 101
- "2060 Wireless WAN antenna cable (SPWG)" on page 102
- "2070 Wireless LAN antenna cables (SPWG)" on page 103
- "2080 Hinges" on page 105
- "2090 Wireless LAN antenna cables (TMD)" on page 109
- "2100 Wireless WAN antenna cable (TMD)" on page 111

For SPWG LCD

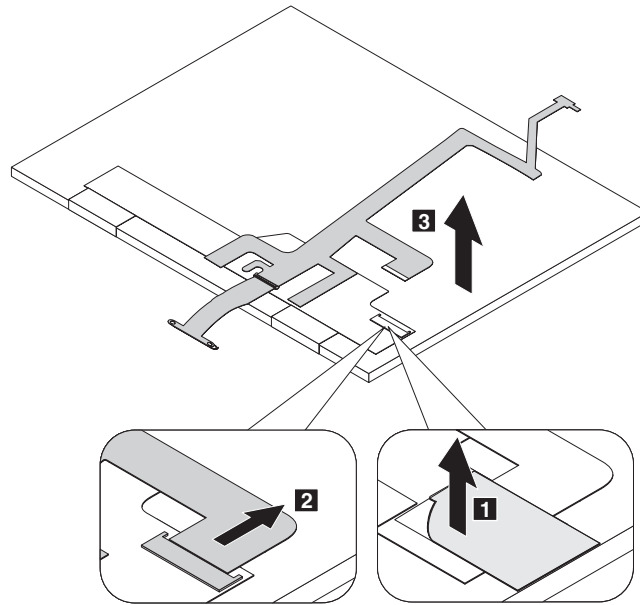


**When installing:** Make sure that the cable is positioned correctly, the connector is attached firmly, and the tape is reattached.

(continued)

## Removing and replacing a FRU

For TMD LCD



**When installing:** Make sure that the cable is positioned correctly, the connector is attached firmly, and the tape is reattached.

**Note:** For models with *Bluetooth*, the *Bluetooth* Daughter Card is attached to the LCD cable.

## Locations

### Front view for ThinkPad X60, X60s, X61, and X61s

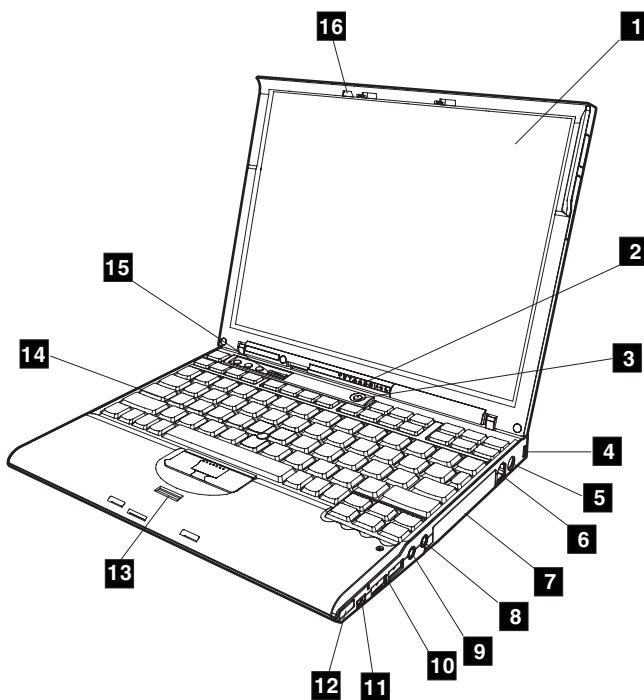
- 1** Computer display
- 2** System status indicators
- 3** Power switch
- 4** Security keyhole
- 5** AC power connector
- 6** Modem connector
- 7** Hard disk drive
- 8** Microphone jack
- 9** Stereo headphone jack
- 10** USB connectors
- 11** IEEE 1394 connector (for some models)
- 12** Infrared port

**Note:** The infrared port is not available on the ThinkPad X61 and X61s computer.

- 13** Fingerprint reader (for some models)

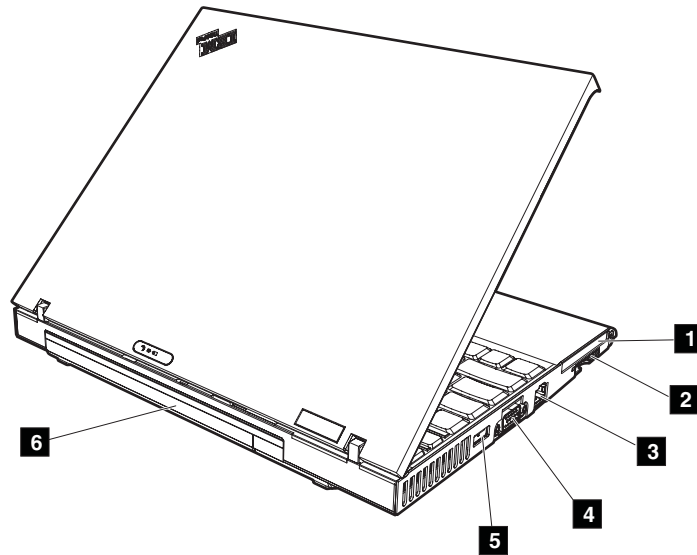
**Note:** The fingerprint reader is located beside the TrackPoint buttons on the ThinkPad X61 and X61s computer.

- 14** TrackPoint stick
- 15** ThinkVantage button
- 16** ThinkLight



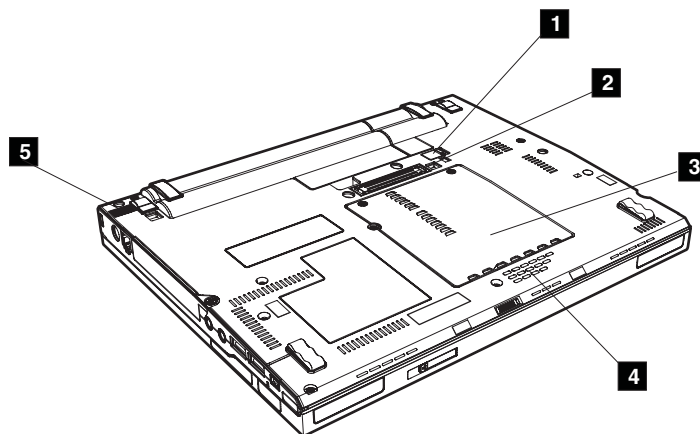
## Rear view for ThinkPad X60, X60s, X61, and X61s

- 1** PC Card slot
- 2** SD card slot
- 3** Ethernet connector
- 4** External monitor connector
- 5** USB connector
- 6** Battery pack



## Bottom view for ThinkPad X60, X60s, X61, and X61s

- 1** Battery latch
- 2** Docking connector
- 3** Memory door
- 4** Speaker
- 5** Battery lock

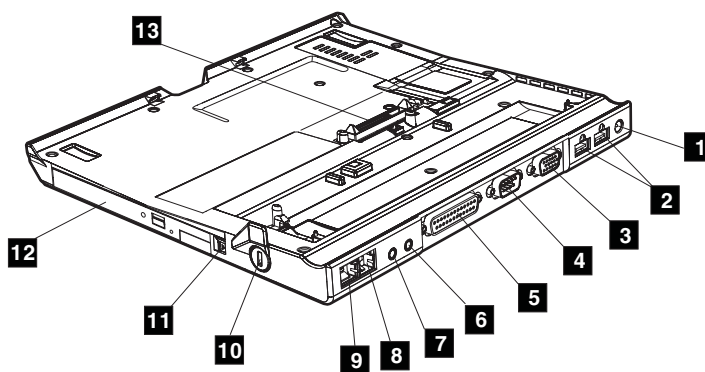


## Rear View for ThinkPad X6 UltraBase

- 1** AC power connector
- 2** USB connectors
- 3** External monitor connector
- 4** Serial connector
- 5** Parallel connectors
- 6** Stereo headphone jack
- 7** Microphone jack
- 8** Ethernet connector
- 9** Modem connector
- 10** Security lock key
- 11** Ultrabay latch
- 12** Ultrabay Slim device

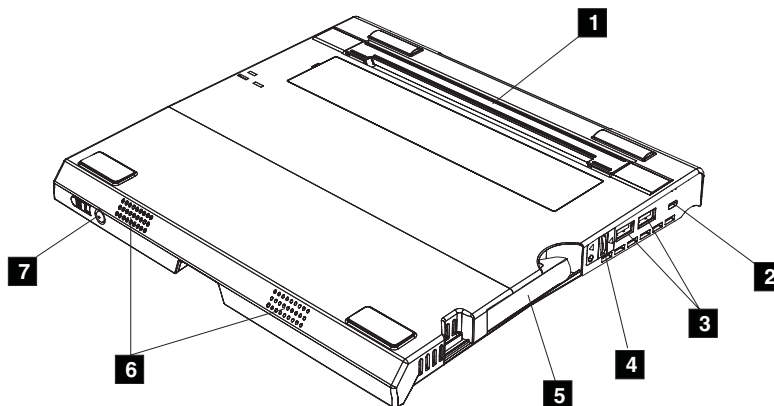
**Note:** The Ultrabay Slim device accepts several storage devices, such as a DVD drive, a CD-RW / DVD combo drive, or a second hard disk drive.

- 13** Docking connector



## Bottom View for ThinkPad X6 UltraBase

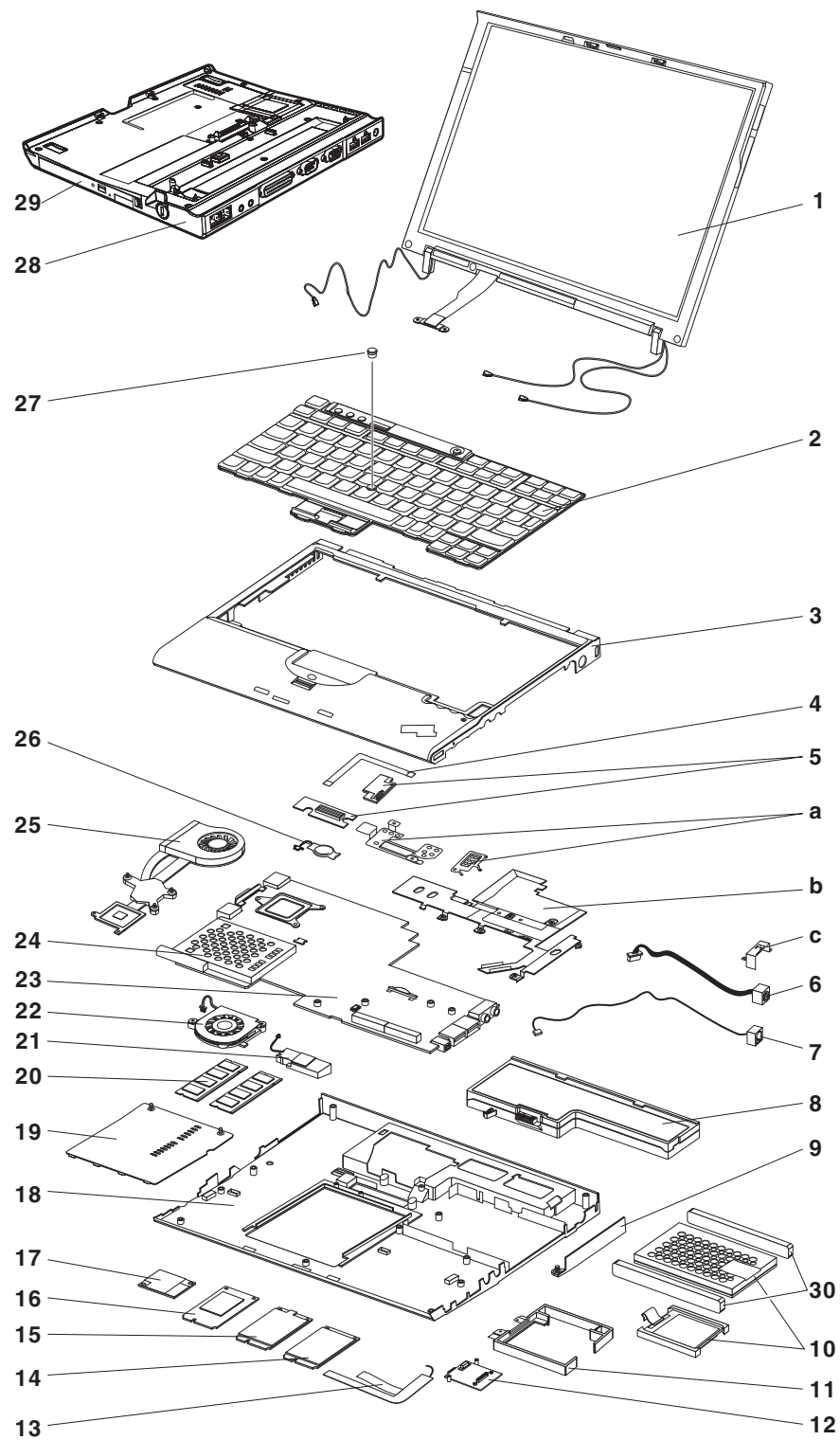
- 1** Leg
- 2** Security keyhole
- 3** USB connectors
- 4** Docking indicators
- 5** Docking release
- 6** Stereo speakers
- 7** Power switch





# Parts list

## Overall



## Parts list

- Each FRU is available for all types or models, unless specific types or models are specified.
- FRU with specific models listed and described as xxU (where U is an example of a country designator) should be used for all models ending in U.
- FRU with specific models listed and described as 3Dx (where 3D is an example of a unique configuration) should be used for all of these models, unless specific country or region designator is specified.
- A CRU (customer-replacable unit) is identified by a single asterisk (\*) or two asterisks (\*\*) in the CRU ID column. An N in the CRU ID column means the part is not a CRU. A single asterisk (\*) means the part is a Tier 1 CRU; two asterisks (\*\*) means the part is a Tier 2 CRU.

A tier 1 CRU is very easy to remove and replace. It can be done by virtually all customers. A tier 2 CRU may require the use of a common tool to remove and replace it.

- An RoHS compliant FRU is identified by an R. An N in the RoHS ID column means the part is not a RoHS compliant FRU.
- FRUs marked with **OP** are available as options.

| No.          | FRU  | FRU no. | RoHS ID | CRU ID |
|--------------|--|---------|---------|--------|
| <i>a - c</i> | See "Miscellaneous parts" on page 193.   |         |         |        |
| 1            | LCD unit (see "LCD FRUs" on page 181.)   |         |         |        |
| 2            | Keyboard* (see "Keyboard" on page 184.)  |         |         |        |
| 3            | Keyboard bezel <ul style="list-style-type: none"> <li>• 1702-CTO, 3Jx, 3Lx, 49x, 24x, 37x, 3Hx, 3Dx, 3Ex, 3Cx, 94x, 4Ax, 3Gx, 3Mx, 3Nx, 3Ax, 83x, 84x, 85x, 36x, 3Fx, 35x, 46x, 47x, 3Kx, 53x, 23x, 7Ax, 7Bx, 4Lx, 26x</li> <li>• 1703-CTO, 37x, 3Jx</li> <li>• 1704-CTO, 33x, 3Dx, 43x</li> <li>• 1705-CTO, 24x, 33x, 3Gx, 43x, 48x, 53x, 54x, 85x</li> <li>• 2507-CTO, 3Bx</li> <li>• 2508-CTO, 3Bx</li> <li>• 2533-CTO</li> <li>• 1706-CTO, 5Dx, 7Ax, 5Cx, 59x, 5Ax, 77x, 58x, 7Bx, 5Bx, 5Fx, 5Gx, 56x, 55x, 78x, 84x, 44x, 33x, 4Dx, 4Ex, 27x, 28x</li> <li>• 1707-CTO, 5Dx</li> <li>• 1708-CTO, 53x, 73x</li> <li>• 1709-CTO, 24x, 45x, 53x, 59x, 5Ax, 5Ex, 73x, 79x, 83x, 84x</li> <li>• 2509-CTO, 57x</li> <li>• 2510-CTO, 57x</li> </ul> | 39T7304 | R       | **     |

(continued)

| No. | FRU   | FRU no. | RoHS ID | CRU ID |
|-----|---|---------|---------|--------|
| 3   | Keyboard bezel <ul style="list-style-type: none"> <li>• 1702-CTO, D5x, D6x, D8x, E3x, E4x, 7Cx, H4x, H5x, H6x, 88x, ELx, DCx</li> <li>• 1703-CTO, D6x, D8x</li> <li>• 1704-CTO, D3x, 3Yx</li> <li>• 1705-CTO, D3x, 89x, B6x, B7x, 3Xx, D9x, K7x, K9x</li> <li>• 2507-CTO, D4x</li> <li>• 2508-CTO, D4x</li> <li>• 1706-CTO, A6x, C5x, 5Qx, 5Rx</li> <li>• 1707-CTO</li> <li>• 1708-CTO, PBx, AWx, PBx, KMx</li> <li>• 1709-CTO, ASx, A6x, BBx, KLx</li> <li>• 2509-CTO</li> <li>• 2510-CTO</li> </ul>   | 39T7480 | R       | **     |
|     | Keyboard bezel with IBM logo <ul style="list-style-type: none"> <li>• 7666-24x, 8Cx, 3Fx for xxB, xxH, xxC, xxV</li> <li>• 7667-3Fx for xxB, xxH, xxC, xxV</li> <li>• 7668-24x, 65x, 25x</li> <li>• 7669-7Fx</li> <li>• 7670-23x</li> <li>• 7673-65x, 3Fx, 3Kx, 66x for xxB, xxH, xxC, xxV</li> <li>• 7674-65x, 66x for xxB, xxH, xxC, xxV</li> <li>• 7675-CTO, 33x, 39x, 27x, 29x, 3Mx</li> <li>• 7678-63x</li> </ul>  | 42W3768 | R       | **     |
|     | Keyboard bezel with ThinkPad logo <ul style="list-style-type: none"> <li>• 7666-63x, 26x, 24x, 8Cx, 3Fx for xxU, xxF, xxL, xxP, xxS, xxY, xxG, xxM, xxA, xxT, xxQ, xxE, xxJ, xxK</li> <li>• 7667-3Fx for xxU, xxF, xxL, xxP, xxS, xxY, xxG, xxM, xxA, xxT, xxQ, xxE, xxJ, xxK</li> <li>• 7670-23x</li> <li>• 7673-65x, 23x, 33x, 39x, 66x for xxU, xxF, xxL, xxP, xxS, xxY, xxG, xxM, xxA, xxT, xxQ, xxE, xxJ, xxK</li> <li>• 7674-65x, 66x for xxU, xxF, xxL, xxP, xxS, xxY, xxG, xxM, xxA, xxT, xxQ, xxE, xxJ, xxK</li> <li>• 7675-CTO</li> <li>• 7678-63x</li> </ul> | 42W3770 | R       | **     |

(continued)

Parts list

| No. | FRU   | FRU no. | RoHS ID | CRU ID |
|-----|---|---------|---------|--------|
| 3   | Keyboard bezel with IBM logo for WWAN <ul style="list-style-type: none"> <li>• 7666-CTO</li> <li>• 7667-CTO</li> <li>• 7668-CTO</li> <li>• 7669-CTO</li> <li>• 7670-CTO</li> <li>• 7671-CTO</li> <li>• 7673-CTO</li> <li>• 7674-CTO</li> <li>• 7675-CTO</li> <li>• 7676-CTO</li> <li>• 7678-CTO</li> <li>• 7679-CTO</li> </ul>      | 42X3800 | R       | **     |
|     | Keyboard bezel with ThinkPad logo for WWAN <ul style="list-style-type: none"> <li>• 7666-CTO</li> <li>• 7667-CTO</li> <li>• 7668-CTO</li> <li>• 7669-CTO</li> <li>• 7670-CTO</li> <li>• 7671-CTO</li> <li>• 7673-CTO</li> <li>• 7674-CTO</li> <li>• 7675-CTO</li> <li>• 7676-CTO</li> <li>• 7678-CTO</li> <li>• 7679-CTO</li> </ul> | 42X3802 | R       | **     |

(continued)

| No. | FRU   | FRU no. | RoHS ID | CRU ID |
|-----|---|---------|---------|--------|
| 3   | Keyboard bezel with fingerprint <ul style="list-style-type: none"> <li>• 1702-CTO, 34x, 44x, C3x, 79x, 93x, 3Qx, 4Ex, 5Nx, 4Fx, 3Sx, 68x, 6Cx, 5Fx, 74x, 76x, 55x, 4Gx, 58x, 5Px, 4Kx, 5Ex, 5Cx, 5Kx, 5Jx, 95x, 96x, 98x, 99x, C4x, C5x, C6x, C7x, 5Mx, 86x, 38x, 4Bx, 5Gx, 63x, 6Bx, 45x, 64x, 65x, 4Hx, 97x, 3Rx, 75x, 77x, 78x, 5Qx, 5Rx, 87x, 39x, 5Dx, 57x, 25x, 73x, 5Sx, 5Tx</li> <li>• 1703-CTO, 3Qx</li> <li>• 1704-CTO, 34x, 3Qx, 3Tx, 44x, 4Cx, 4Dx, 4Jx, 56x, 5Bx, 5Lx, 63x, 66x, 69x, 6Ax</li> <li>• 1705-CTO, 34x, 3Px, 3Qx, 3Ux, 44x, 4Cx, 59x, 5Ax, 5Dx, 5Ex, 5Hx</li> <li>• 2507-CTO</li> <li>• 2508-CTO</li> <li>• 2533-CTO, A3x, A4x, A5x, B3x, B4x, B5x</li> <li>• 1706-CTO, 54x, 74x, 43x, 23x, 5Kx, 7Fx, 7Gx, 5Px, 63x, 64x, 8Ax, 69x, 6Bx, 85x, 86x, 8Gx, 95x, 6Dx, 89x, 87x, 8Ex, 8Dx, 4Bx, 4Cx, 46x, 49x, 4Ax, 26x, 25x, 5Hx, 7Cx, 8Bx, 7Ex, 75x, 76x, 93x, 94x, 5Lx, 48x, 8Fx, 8Hx, 8Jx, 88x, 47x, 34x, 8Kx</li> <li>• 1707-CTO, 5Kx</li> <li>• 1708-CTO, 54x, 5Kx, 5Mx, 74x, 7Dx, 86x, 8Cx, 95x</li> <li>• 1709-CTO, 47x, 54x, 5Jx, 5Lx, 5Nx, 74x, 7Dx, 7Hx, 85x, 86x, 89x, 8Cx, 96x, 97x</li> <li>• 2509-CTO</li> <li>• 2510-CTO</li> </ul> | 39T7305 | R       | **     |
|     | Keyboard bezel with fingerprint <ul style="list-style-type: none"> <li>• 1702-CTO, HFx, 3Wx, E7x, E8x, HCx, EHx, F3x, F6x, F7x, H7x, H8x, H9x, E5x, EEx, HAx, HDx, HEx, 7Dx, 7Fx, 7Ex, 7Gx, E6x, HGx, K4x, K5x, ENx, F9x, K6x, EPx</li> <li>• 1703-CTO, 3Wx, E7x</li> <li>• 1704-CTO, EAx, ECx, EFx, EGx, E9x, F4x, F5x, EBx, G3x, 7Mx, J8x, EKx, F8x, EMx, FAx, KAx</li> <li>• 1705-CTO, DBx, EJx, D7x, Dax, HBx, 7Dx, 7Fx, 7Ex, 7Gx, H3x, HHx, 7Kx, 7Lx, EKx, 7Nx</li> <li>• 2507-CTO</li> <li>• 2508-CTO</li> <li>• 1706-CTO, B5x, BAx</li> <li>• 1707-CTO, B5x</li> <li>• 1708-CTO, B7x, E4x, M7x, H7x, PCx, Q8x, Q9x, P8x, HBx, QHx, HEx, PHx</li> <li>• 1709-CTO, ARx, ATx, 5Sx, C4x, B6x, C8x, HDx, Q4x, HAx, P7x, Q6x, Q7x, PEx, QCx, Pax, KLx</li> <li>• 2509-CTO, B4x</li> <li>• 2510-CTO, B4x</li> </ul>   | 39T7479 | R       | **     |

(continued)

Parts list

| No. | FRU   | FRU no. | RoHS ID | CRU ID |
|-----|---|---------|---------|--------|
| 3   | Keyboard bezel with fingerprint, IBM logo <ul style="list-style-type: none"> <li>• 7666-34x, 7Gx, 38x, 8Ex, 84x, 73x, 8Ax, 8Bx, 8Dx, 3Cx, 3Dx, 3Ex for xxB, xxH, xxC, xxV</li> <li>• 7667-34x, 36x, 3Ex for xxB, xxH, xxC, xxV</li> <li>• 7668-79x, 7Hx, 7Ax, 7Jx, 7Bx, 7Kx, 7Cx, 7Lx, 7Gx, 38x, 87x, 28x</li> <li>• 7669-35x, 37x, 56x, 7Dx, 88x, 85x, 46x, 27x, 29x</li> <li>• 7671-33x</li> <li>• 7673-74x, 24x, 4Dx, 47x, 4Lx, 75x, 3Gx, 45x, 46x, 7Cx, 7Dx, 4Gx, 7Hx, 7Jx, 4Mx, 4Nx for xxB, xxH, xxC, xxV</li> <li>• 7674-74x, 4Nx for xxB, xxH, xxC, xxV</li> <li>• 7675-34x, 35x, 49x, 38x, 4Ax, 3Ax, 3Bx, 4Bx, 3Ex, 4Cx, 28x, 3Jx, 48x, 4Ex, 75x, 7Fx, 4Kx, 7Kx</li> <li>• 7676-35x, 4Fx, 3HX, 3Lx, 35x, 4Fx, 3HX, 58x, 3Lx, 4Px, 3Px</li> <li>• 7679-43x</li> </ul> | 42W3769 | R       | **     |
|     | Keyboard bezel with fingerprint, ThinkPad logo <ul style="list-style-type: none"> <li>• 7666-34x, 3Ax, 36x, 86x, 7Mx, 74x, 75x, 7Px, 77x, 78x, 7Gx, 38x, 8Ex, 76x, 64x, 83x, 53x, 54x, 55x, 8Ax</li> <li>• 7667-34x, 36x, 3Ex for xxU, xxF, xxL, xxP, xxS, xxY, xxG, xxM, xxA, xxT, xxQ, xxE, xxJ, xxK</li> <li>• 7671-33x</li> <li>• 7673-74x, 4Jx, 4Hx, 34x, 3Hx, 78x, 3Jx, 79x, 3Ax, 3Nx, 7Ax, 7Gx, 3Dx, 3Lx, 7Bx, 24x, 4Dx, 47x, 4Lx, 75x, 54x for xxU, xxF, xxL, xxP, xxS, xxY, xxG, xxM, xxA, xxT, xxQ, xxE, xxJ, xxK</li> <li>• 7674-74x, 4Nx for xxU, xxF, xxL, xxP, xxS, xxY, xxG, xxM, xxA, xxT, xxQ, xxE, xxJ, xxK</li> <li>• 7676-35x, 4Fx, 3HX, 3Lx</li> <li>• 7679-43x</li> </ul>   | 42W3771 | R       | **     |

(continued)

| No. | FRU  | FRU no. | RoHS ID | CRU ID |
|-----|--|---------|---------|--------|
|     | Keyboard bezel with fingerprint, IBM logo, for WWAN <ul style="list-style-type: none"> <li>• 7666-CTO</li> <li>• 7667-CTO</li> <li>• 7668-CTO, 44x, 44x, 93x, 94x</li> <li>• 7669-CTO, 45x, 49x, 4Ax</li> <li>• 7670-CTO</li> <li>• 7671-CTO</li> <li>• 7673-CTO, 53x</li> <li>• 7674-CTO</li> <li>• 7675-CTO, 55x, 59x, 5Ax, 5Bx</li> <li>• 7676-CTO, 56x, 57x, 5Cx</li> <li>• 7678-CTO</li> <li>• 7679-CTO</li> </ul>  | 42X3801 | R       | **     |
|     | Keyboard bezel with fingerprint, ThinkPad logo, for WWAN <ul style="list-style-type: none"> <li>• 7666-CTO, 47x, 43x, 93x, 94x for xxU, xxF, xxL, xxP, xxS, xxY, xxG, xxM, xxA, xxT, xxQ, xxE, xxJ, xxK</li> <li>• 7667-CTO</li> <li>• 7668-CTO</li> <li>• 7669-CTO</li> <li>• 7670-CTO</li> <li>• 7671-CTO</li> <li>• 7673-CTO, 53x, 5Ax, 5Bx for xxU, xxF, xxL, xxP, xxS, xxY, xxG, xxM, xxA, xxT, xxQ, xxE, xxJ, xxK</li> <li>• 7674-CTO</li> <li>• 7675-CTO</li> <li>• 7676-CTO</li> <li>• 7678-CTO</li> <li>• 7679-CTO</li> </ul> | 42X3803 | R       | **     |

(continued)

Parts list

| No. | FRU  | FRU no. | RoHS ID | CRU ID |
|-----|--|---------|---------|--------|
| 4   | <p>Fingerprint FPC</p> <ul style="list-style-type: none"> <li>• 1702-CTO, 34x, 44x, C3x, 79x, 93x, 3Qx, 4Ex, 5Nx, 4Fx, 3Sx, 68x, 6Cx, 5Fx, 74x, 76x, 55x, 4Gx, 58x, 5Px, 4Kx, 5Ex, 5Cx, 5Kx, 5Jx, 95x, 96x, 98x, 99x, C4x, C5x, C6x, C7x, 5Mx, 86x, 38x, 4Bx, 5Gx, 63x, 6Bx, 45x, 64x, 65x, 4Hx, 97x, 3Rx, 75x, 77x, 78x, 5Qx, 5Rx, 87x, 39x, 5Dx, 57x, 25x, 73x, 5Sx, 5Tx</li> <li>• 1703-CTO, 3Qx</li> <li>• 1704-CTO, 34x, 3Qx, 3Tx, 44x, 4Cx, 4Dx, 4Jx, 56x, 5Bx, 5Lx, 63x, 66x, 69x, 6Ax</li> <li>• 1705-CTO, 34x, 3Px, 3Qx, 3Ux, 44x, 4Cx, 59x, 5Ax, 5Dx, 5Ex, 5Hx</li> <li>• 2507-CTO</li> <li>• 2508-CTO</li> <li>• 2533-CTO, A3x, A4x, A5x, B3x, B4x, B5x</li> <li>• 1706-CTO, 54x, 74x, 43x, 23x, 5Kx, 7Fx, 7Gx, 5Px, 63x, 64x, 8Ax, 69x, 6Bx, 85x, 86x, 8Gx, 95x, 6Dx, 89x, 87x, 8Ex, 8Dx, 4Bx, 4Cx, 46x, 49x, 4Ax, 26x, 25x, 5Hx, 7Cx, 8Bx, 7Ex, 75x, 76x, 93x, 94x, 5Lx, 48x, 8Fx, 8Hx, 8Jx, 88x, 47x, 34x, 8Kx</li> <li>• 1707-CTO, 5Kx</li> <li>• 1708-CTO, 54x, 5Kx, 5Mx, 74x, 7Dx, 86x, 8Cx, 95x</li> <li>• 1709-CTO, 47x, 54x, 5Jx, 5Lx, 5Nx, 74x, 7Dx, 7Hx, 85x, 86x, 89x, 8Cx, 96x, 97x</li> <li>• 2509-CTO</li> <li>• 2510-CTO</li> <li>• 1702-CTO, HFx, 3Wx, E7x, E8x, HCx, EHx, F3x, F6x, F7x, H7x, H8x, H9x, E5x, EEx, HAx, HDx, HEx, 7Dx, 7Fx, 7Ex, 7Gx, E6x, HGx, K4x, K5x, ENx, F9x, K7x, EPx</li> <li>• 1703-CTO, 3Wx, E7x</li> <li>• 1704-CTO, EAx, ECx, EFx, EGx, E9x, F4x, F5x, EBx, G3x, 7Mx, J8x, EKx, F8x, EMx, FAx, KAx</li> <li>• 1705-CTO, DBx, EJx, D7x, Dax, HBx, 7Dx, 7Fx, 7Ex, 7Gx, H3x, HHx, 7Kx, 8Lx, EKx, 7Nx</li> <li>• 2507-CTO</li> <li>• 2508-CTO</li> <li>• 1706-CTO, C9x, GAx, AXx, CCx, C6x, C7x, G5x, G6x, CDx, CFx, GBx, GCx, G7x, E5x, HCx, CHx, QFx, QDx, P4x, QAx, PFx, Q5x, KHx, P9x, QBx, PDx, Q9x, CJx, QEx, P5x, P6x</li> <li>• 1707-CTO, C9x</li> <li>• 1708-CTO, B7x, E4x, M7x, H7x, PCx, Q8x, Q9x, P8x, HBx, QHx, HEx, PHx</li> <li>• 1709-CTO, G3x, H3x, H4x, 5Wx, 5Xx, G8x, C8x, HDx, Q4x, HAx, P7x, Q6x, Q7x, PEx, QCx, PAx, KLx</li> <li>• 2509-CTO, B4x</li> <li>• 2510-CTO</li> </ul> | 91P6977 | R       | N      |

(continued)



| No. | FRU   | FRU no. | RoHS ID | CRU ID |
|-----|---|---------|---------|--------|
| 4   | Fingerprint FPC <ul style="list-style-type: none"> <li>• 7666-34x, 3Ax, 36x, 86x, 7Mx, 74x, 75x, 7Px, 77x, 78x, 7Gx, 38x, 8Ex, 84x, 73x, 76x, 64x, 83x, 53x, 54x, 55x, 8Ax, 8Bx, 8Dx, 3Cx, 3Dx, 3Ex</li> <li>• 7667-34x, 36x, 3Ex, 4Nx</li> <li>• 7668-79x, 7Ax, 7Bx, 7Cx, 7Gx, 38x, 87x, 28x</li> <li>• 7669-35x, 37x, 56x, 7Dx, 88x, 85x, 46x, 27x, 29x</li> <li>• 7671-33x</li> <li>• 7673-74x, 4Jx, 4Hx, 34x, 3Hx, 78x, 37x, 3Jx, 79x, 3Ax, 3Nx, 7Ax, 7Gx, 3Dx, 3Lx, 7Bx, 24x, 4Dx, 47x, 4Lx, 75x, 3Gx, 45x, 46x, 7Cx, 7Dx, 4Gx, 25x, 44x, 76x, 3Hx, 7Ex, 73x, 7Hx, 7Jx, 4Mx, 4Nx</li> <li>• 7674-74x</li> <li>• 7675-34x, 35x, 49x, 37x, 38x, 4Ax, 3Ax, 3Bx, 4Bx, 3Dx, 3Ex, 4Cx, 28x, 3Jx, 48x, 4Ex, 75x, 7Fx, 4Kx, 7Kx, 37x, 3Dx</li> <li>• 7676-35x, 4Fx, 3HX, 3Lx, 35x, 4Fx, 3HX, 58x, 3Lx, 4Px, 3Px</li> <li>• 7679-43x</li> </ul>   | 93P4521 | R       | N      |
|     | Fingerprint FPC for WWAN <ul style="list-style-type: none"> <li>• 7666-CTO, 47x, 43x, 93x, 94x</li> <li>• 7667-CTO</li> <li>• 7668-CTO, 44x, 93x, 94x</li> <li>• 7669-CTO, 45x, 49x, 4Ax</li> <li>• 7670-CTO</li> <li>• 7671-CTO</li> <li>• 7673-CTO, 53x, 54x, 5Bx</li> <li>• 7674-CTO</li> <li>• 7675-CTO, 55x, 59x, 5Ax, 5Bx</li> <li>• 7676-CTO, 56x, 57x, 5Cx</li> <li>• 7678-CTO</li> <li>• 7679-CTO</li> </ul>   | 93P4537 | R       | N      |
| 5   | Fingerprint card <ul style="list-style-type: none"> <li>• 7666-34x, 3Ax, 36x, 86x, 7Mx, 74x, 75x, 7Px, 77x, 78x, 7Gx, 38x, 8Ex, 84x, 73x, 76x, 64x, 83x, 53x, 54x, 55x, 8Ax, 8Bx, 8Dx, 3Cx, 3Dx, 3Ex, 93x, 94x</li> <li>• 7667-34x, 36x, 3Ex, 4Nx</li> <li>• 7668-79x, 7Ax, 7Bx, 7Cx, 7Gx, 38x, 87x, 28x, 93x, 94x, 34x, 35x, 49x, 38x, 4Ax, 3Ax, 3Bx, 4Bx, 3Ex, 4Cx, 28x, 3Jx, 48x, 4Ex, 75x, 7Fx, 55x, 4Kx, 7Kx, 59x, 5Ax, 5Bx</li> <li>• 7669-35x, 37x, 56x, 7Dx, 88x, 85x, 46x, 27x, 49x, 29x, 4Ax</li> <li>• 7671-33x</li> <li>• 7673-74x, 4Jx, 4Hx, 34x, 3Hx, 78x, 3Jx, 79x, 3Ax, 3Nx, 7Ax, 7Gx, 3Dx, 3Lx, 7Bx, 24x, 4Dx, 47x, 4Lx, 75x, 3Gx, 45x, 46x, 7Cx, 7Dx, 4Gx, 25x, 44x, 76x, 3Hx, 7Ex, 73x, 7Hx, 7Jx, 4Mx, 4Nx, 5Ax, 5Bx</li> <li>• 7674-74x</li> <li>• 7675-34x, 35x, 49x, 37x, 38x, 4Ax, 3Ax, 3Bx, 4Bx, 3Dx, 3Ex, 4Cx, 28x, 3Jx, 48x, 4Ex, 75x, 7Fx, 4Kx, 7Kx</li> <li>• 7676-35x, 4Fx, 3HX, 3Lx, 4Px, 3Px, 5Cx</li> <li>• 7679-43x</li> </ul> | 42W7764 | R       | N      |

(continued)

Parts list

| No. | FRU  | FRU no. | RoHS ID | CRU ID |
|-----|--|---------|---------|--------|
| 5   | Fingerprint card <ul style="list-style-type: none"> <li>• 1702-CTO, 34x, 44x, C3x, 79x, 93x, 3Qx, 4Ex, 5Nx, 4Fx, 35x, 68x, 6Cx, 5Fx, 74x, 76x, 55x, 4Gx, 58x, 5Px, 4Kx, 5Ex, 5Cx, 5Kx, 5Jx, 95x, 96x, 98x, 99x, C4x, C5x, C6x, C7x, 5Mx, 86x, 38x, 4Bx, 5Gx, 63x, 6Bx, 45x, 64x, 65x, 4Hx, 97x, 3Rx, 75x, 77x, 78x, 5Qx, 5Rx, 87x, 39x, 5Dx, 57x, 25x, 73x, 5Sx, 5Tx</li> <li>• 1703-CTO, 3Qx</li> <li>• 1704-CTO, 34x, 3Qx, 3Tx, 44x, 4Cx, 4Dx, 4Jx, 56x, 5Bx, 5Lx, 63x, 66x, 69x, 6Ax, KAx</li> <li>• 1705-CTO, 34x, 3Px, 3Qx, 3Ux, 44x, 4Cx, 59x, 5Ax, 5Dx, 5Ex, 5Hx, 7Nx</li> <li>• 2507-CTO</li> <li>• 2508-CTO</li> <li>• 2533-CTO, A3x, A4x, A5x, B3x, B4x, B5x</li> <li>• 1706-CTO, 54x, 74x, 43x, 23x, 5Kx, 7Fx, 7Gx, 5Px, 63x, 64x, 8Ax, 69x, 6Bx, 85x, 86x, 8Gx, 95x, 6Dx, 89x, 87x, 8Ex, 8Dx, 4Bx, 4Cx, 46x, 49x, 4Ax, 26x, 25x, 5Hx, 7Cx, 8Bx, 7Ex, 75x, 76x, 93x, 94x, 5Lx, 48x, 8Fx, 8Hx, 8Jx, 88x, 47x, 34x, 8Kx</li> <li>• 1707-CTO, 5Kx</li> <li>• 1708-CTO, 54x, 5Kx, 5Mx, 74x, 7Dx, 86x, 8Cx, 95x</li> <li>• 1709-CTO, 47x, 54x, 5Jx, 5Lx, 5Nx, 74x, 7Dx, 7Hx, 85x, 86x, 89x, 8Cx, 96x, 97x</li> <li>• 2509-CTO</li> <li>• 2510-CTO</li> <li>• 1702-CTO, HFx, 3Wx, E7x, E8x, HCx, EHx, F3x, F6x, F7x, H7x, H8x, H9x, E5x, EEx, HAx, HDx, HEx, 7Dx, 7Fx, 7Ex, 7Gx, E6x, HGx, K4x, K5x, ENx, F9x, K7x, EPx</li> <li>• 1703-CTO, 3Wx, E7x</li> <li>• 1704-CTO, EAx, ECx, EFx, EGx, E9x, F4x, F5x, EBx, G3x, 7Mx, J8x, EKx, F8x, EMx, FAx</li> <li>• 1705-CTO, DBx, EJx, D7x, Dax, HBx, 7Dx, 7Fx, 7Ex, 7Gx, H3x, HHx, 7Kx, 8Lx, EKx</li> <li>• 2507-CTO</li> <li>• 2508-CTO</li> <li>• 1706-CTO, 54x, AVx, 5Yx, CEx, B8x, AUx, 5Vx, G4x, E3x, H5x, 5Tx, GDx, 5Ux, GEx, E5x, HCx, CHx, QFx, QDx, P4x, QAx, Pfx, Q5x, KHx, P9x, QBx, PDx, Q9x, Cjx, QEx, P5x, P6x</li> <li>• 1707-CTO, B8x, 5Vx</li> <li>• 1708-CTO, B7x, E4x, B7x, E4x, M7x, H7x, PCx, Q8x, Q9x, P8x, HBx, QHx, HEx, PHx</li> <li>• 1709-CTO, CGx, CBx, H6x, E5x, C6x, CAx, B9x, G9x, 5Tx, GDx, 5Ux, GEx, B3x, C3x, 54x, C8x, C8x, HDx, Q4x, HAx, P7x, Q6x, Q7x, PEx, QCx, PAX, KLx</li> <li>• 2509-CTO</li> <li>• 2510-CTO, B4x</li> </ul> | 42T0065 | R       | N      |
| 6   | Cable assembly kit, DC-in  | 93P4390 | R       | N      |
| 7   | Cable assembly kit, RJ11   | 91P6979 | R       | N      |

(continued)

| No.   | FRU   | FRU no. | RoHS ID | CRU ID |
|-------|---|---------|---------|--------|
| 8     | Battery 4-cell Li-Ion (Prismatic)   |         |         |        |
|       | <ul style="list-style-type: none"> <li>• 1702-CTO, 3Hx, 68x, 6Cx, 5Fx, 3Ex, 3Cx, 94x, 55x, 5Px, 3Ax, 83x, 85x, 45x, 97x</li> <li>• 1703-CTO</li> <li>• 1704-CTO, 4Cx, 56x, 5Lx, 6Ax</li> <li>• 1705-CTO, 48x, 4Cx, 5Hx, 85x, 3Px</li> <li>• 2507-CTO</li> <li>• 2508-CTO</li> <li>• 2533-CTO, B4x, B5x, A5x, A4x</li> <li>• 1702-CTO, HCx, EHx</li> <li>• 1703-CTO</li> <li>• 1704-CTO, EAx, ECx, EFx, EGx, E9x, F4x, F5x, EMx</li> <li>• 1705-CTO, EJx, 89x, B6x, B7x, 3Xx, D7x, D9x</li> <li>• 2507-CTO</li> <li>• 2508-CTO</li> </ul>  |         |         |        |
|       | Sanyo   | 92P1163 | R       | *      |
|       | LGC   | 42T5224 | R       | *      |
|       | Battery 4-cell Li-Ion (Prismatic)   |         |         |        |
|       | <ul style="list-style-type: none"> <li>• 7666-CTO, 63x, 26x, 86x, 73x, 76x, 64x, 83x, 53x, 8Ax, 8Bx, 8Cx, 8Dx, 3Cx, 3Dx</li> <li>• 7667-CTO</li> <li>• 7668-CTO, 65x, 25x</li> <li>• 7669-CTO, 7Fx, 7Dx, 27x, 49x, 29x, 4Ax</li> <li>• 7670-CTO</li> <li>• 7671-CTO</li> </ul>  |         |         |        |
|       | Sanyo   | 42T5247 | R       | *      |
|       | LGC   | 42T5266 | R       | *      |
|       | Battery 4-cell Li-Ion (2.6AH cylindrical)   |         |         |        |
|       | <ul style="list-style-type: none"> <li>• 1702-CTO, 24x, 74x, 76x, 4Kx, 95x, 96x, 98x, 99x, C4x, C5x, C6x, C7x, 36x, 3Fx, 35x, 5Dx, 53x, 57x, 23x, 25x, 73x, 7Ax, 5Sx, 5Tx, 7Bx, 4Lx, 26x</li> <li>• 1703-CTO</li> <li>• 1704-CTO, 4Dx</li> <li>• 1705-CTO, 24x, 5Dx, 53x</li> <li>• 2507-CTO</li> <li>• 2508-CTO</li> <li>• 2533-CTO</li> <li>• 1706-CTO, 5Cx, 63x, 64x, 8Ax, 5Ax, 58x, 69x, 6Bx, 85x, 8Gx, 95x, 6Dx, 56x, 4Bx, 4Cx, 46x, 49x, 4Ax, 26x, 25x, 5Hx, 55x, 78x, 7Cx, 7Ex, 75x, 48x, 88x, 84x, 44x, 47x, 33x, 34x, 8Kx, 4Dx, 4Ex, 27x, 28x</li> <li>• 1707-CTO</li> <li>• 1708-CTO, 7Dx, 95x, 8Cx</li> <li>• 1709-CTO, 24x, 47x, 79x, 7Dx, 8Cx, 5Ax, 5Jx, 5Ex, 45x, 84x, 85x</li> <li>• 2509-CTO</li> <li>• 2510-CTO</li> </ul> |         |         |        |
| Sanyo | 92P1167   | R       | *       |        |
| Sony  | 92P1169   | R       | *       |        |

(continued)

Parts list

| No. | FRU   | FRU no. | RoHS ID | CRU ID |
|-----|---|---------|---------|--------|
| 8   | Battery 4-cell Li-Ion (2.6AH cylindrical) <ul style="list-style-type: none"> <li>• 1702-CTO, HFx, D5x, E7x, E3x, E4x, H4x, H8x, H9x, H5x, H6x, 88x, 7Dx, 7Fx, 7Ex, 7Gx, E6x, ELx, ENx, K6x, EPx</li> <li>• 1703-CTO, E7x</li> <li>• 1704-CTO, EBx, 7Mx, J8x, EKx, KAx</li> <li>• 1705-CTO, 7Dx, 7Fx, 7Ex, 7Gx, HHx, 7Kx, 7Lx, K7x, EKx, K9x</li> <li>• 2507-CTO</li> <li>• 2508-CTO</li> <li>• 1706-CTO, AVx, B5x, C9x, GAx, AXx, A6x, 5Tx, GDx, 5Ux, GEx, C5x, CCx, 5Qx, 5Rx, CHx, QFx, QDx, P4x, QAx, KKx, KHx, BAx, Q9x, CJx</li> <li>• 1707-CTO, B5x, C9x</li> <li>• 1708-CTO, E4x, PBx, PCx, Q8x, Q9x, AWx, QHx, PHx, KMx</li> <li>• 1709-CTO, ASx, C4x, B9x, A6x, 5Tx, GDx, 5Ux, GEx, KHx, P7x, Q6x, Q7x, KJx, BBx, KLx</li> <li>• 2509-CTO</li> <li>• 2510-CTO</li> <li>• 7666-CTO, 7Mx, 74x, 75x, 7Px, 77x, 78x, 24x, 7Gx, 38x, 8Ex, 93x, 94x</li> <li>• 7667-CTO</li> <li>• 7668-CTO, 24x, 79x, 7Ax, 7Bx, 7Cx, 7Gx, 38x, 87x, 44x, 28x, 93x, 94x</li> <li>• 7669-CTO, 46x</li> <li>• 7670-CTO</li> <li>• 7671-CTO</li> <li>• 7673-CTO, 53x, 23x, 33x, 34x, 3Hx, 78x, 3Jx, 79x, 39x, 3Ax, 3Nx, 7Ax, 7Gx, 3Dx, 3Lx, 7Bx, 24x, 4Dx, 47x, 4Lx, 75x3Fx, 3Gx, 45x, 46x, 3Kx, 5Ax, 5Bx</li> <li>• 7674-CTO</li> <li>• 7675-CTO, 26x, 33x, 34x, 35x, 49x, 36x, 37x, 38x, 4Ax, 39x, 3Ax, 3Bx, 4Bx, 3Cx, 3Dx, 3Ex, 4Cx, 27x, 28x, 3Jx, 48x, 4Ex, 75x, 29x, 3Mx, 4Kx, 5Ax, 5Bx</li> <li>• 7676-CTO, 35x, 3Lx</li> <li>• 7678-CTO</li> <li>• 7679-CTO</li> </ul> |         |         |        |
|     | Sanyo   | 93P5027 | R       | *      |
|     | Sanyo   | 42T4505 | R       | *      |
|     | Sony  | 93P5028 | R       | *      |

(continued)

| No. | FRU  | FRU no. | RoHS ID | CRU ID |
|-----|--|---------|---------|--------|
| 8   | Battery 8-cell Li-Ion (5.2AH cylindrical)  |         |         |        |
|     | <ul style="list-style-type: none"> <li>• 1702-CTO, 3Jx, 3Lx, 3Qx, 49x, 4Ex, 37x, 5Nx, 4Fx, 3Sx, 3Dx, 4Gx, 58x, 4Ax, 3Gx, 3Mx, 3Nx, 5Ex, 5Cx, 5Kx, 5Jx, 84x, 5Mx, 86x, 38x, 46x, 47x, 4Bx, 5Gx, 63x, 6Bx, 64x, 65x, 4Hx, 3Rx, 3Kx, 75x, 77x, 78x, 5Qx, 5Rx, 87x, 39x</li> <li>• 1703-CTO, 37x, 3Jx, 3Qx</li> <li>• 1704-CTO, 3Qx, 5Bx, 3Tx, 63x, 69x, 66x, 4Jx, 3Dx</li> <li>• 1705-CTO</li> <li>• 2507-CTO</li> <li>• 2508-CTO</li> <li>• 2533-CTO</li> <li>• 1706-CTO, 5Dx, 5Kx, 7Ax, 7Fx, 7Gx, 5Px, 59x, 77x, 86x, 7Bx, 5Bx, 5Fx, 5Gx, 89x, 87x, 8Ex, 8Dx, 8Bx, 76x, 93x, 94x, 5Lx, 8Fx, 8Hx, 8Jx</li> <li>• 1707-CTO, 5Dx, 5Kx</li> <li>• 1708-CTO, 5Kx, 86x, 5Mx</li> <li>• 1709-CTO, 96x, 97x, 86x, 7Hx, 83x, 59x, 5Lx, 5Nx, 89x</li> <li>• 2509-CTO</li> <li>• 2510-CTO, 57x</li> </ul>  |         |         |        |
|     | Sanyo  | 92P1171 | R       | *      |
|     | Sony   | 92P1173 | R       | *      |
|     | Battery 8-cell Li-Ion (5.2AH cylindrical)  |         |         |        |
|     | <ul style="list-style-type: none"> <li>• 1702-CTO, D6x, 3Wx, D8x, E8x, F3x, F6x, 7Cx, H7x, E5x, EEx, HAx, HDx, HEx, HGx, K4x, DCx, K5x, F9x</li> <li>• 1703-CTO, D6x, 3Wx, D8x</li> <li>• 1704-CTO, G3x, F8x, FAx</li> <li>• 1705-CTO, DBx, DAx, HBx, 7Nx</li> <li>• 2507-CTO, D4x</li> <li>• 2508-CTO, D4x</li> <li>• 1706-CTO, 5Yx, CEx, B8x, AUx, 5Vx, G4x, E3x, H5x, C6x, C7x, G5x, G6x, CDx, CFx, GBx, GCx, G7x, E5x, HCx, PFx, Q5x, P9x, QBx, PDx, QEx, P5x, P6x</li> <li>• 1707-CTO, B8x, 5Vx</li> <li>• 1708-CTO, B7x, P8x, HBx, HEx</li> <li>• 1709-CTO, CGx, CBx, H6x, E5x, C6x, 5Wx, 5Xx, G8x, ATx, 5Sx, B6x, CAx, G9x, C8x, HDx, Q4x, HAx, PEx, QCx, PAX, PGx, QGx</li> <li>• 2509-CTO, B4x</li> <li>• 2510-CTO, B4x</li> <li>• 7666-CTO, 34x, 3Ax, 36x, 47x, 84x, 54x, 43x, 55x, 3Fx, 3Ex</li> <li>• 7667-CTO, 34x, 36x, 3Fx, 3Ex</li> <li>• 7668-CTO</li> <li>• 7669-CTO, 35x, 37x, 56x, 45x, 88x, 85x</li> <li>• 7670-CTO, 23x</li> <li>• 7671-CTO, 33x</li> <li>• 7673-CTO, 65x, 74x, 4Jx, 4Hx, 54x, 7Cx, 7Dx, 4Gx, 25x, 44x, 76x, 3Hx, 7Ex, 73x, 7Hx, 7Jx, 4Mx, 66x, 4Nx</li> <li>• 7674-CTO, 65x, 74x, 66x, 4Nx</li> <li>• 7675-CTO, 7Fx, 55x, 7Kx, 59x</li> <li>• 7676-CTO, 56x, 4Fx, 3HX, 57x, 58x, 43x, 4Px, 5Cx</li> <li>• 7678-CTO, 63x</li> <li>• 7679-CTO, 43x</li> </ul> |         |         |        |
|     | Sanyo  | 93P5029 | R       | *      |
|     | Sanyo  | 42T4506 | R       | *      |
|     | Sony   | 93P5030 | R       | *      |

(continued)

Parts list

| No. | FRU  | FRU no. | RoHS ID | CRU ID |
|-----|--|---------|---------|--------|
| 8   | Extended battery Li-Ion (Sanyo)  | 40Y7904 | R       | *      |
| —   | Battery spacer   | 92P1227 | R       | *      |
|     | Battery spacer<br>• 1702-CTO, D6x, 3Wx, D8x, E8x, F3x, F6x, E5x, EE <sub>x</sub> , D5x, E7x, E3x, E4x, 88x, 7Dx, E6x, Eh <sub>x</sub> , EL <sub>x</sub> , K4x, DC <sub>x</sub> , K5x, EN <sub>x</sub> , F9x, K6x, EP <sub>x</sub><br>• 1703-CTO, D6x, 3Wx, D8x, E7x<br>• 1704-CTO, 3Yx, EBx, G3x, EKx, F8x, EMx, FAx<br>• 1705-CTO, 7Dx, 7Fx, 7Ex, 7Gx, Dbx, Dax, HBx, K7x, EKx, K9x<br>• 2507-CTO, D4x<br>• 2508-CTO, D4x<br>• 7666-CTO, 26x, 86x, 73x, 76x, 64x, 83x, 43x, 8Ax, 8Bx, 8Cx, 8Dx, 63x, 3Cx, 3Dx<br>• 7667-CTO<br>• 7668-CTO, 25x, 65x<br>• 7669-CTO, 7Fx, 7Dx, 27x, 49x, 29x, 4Ax<br>• 7670-CTO, 23x<br>• 7671-CTO, 33x | 42W3050 | R       | *      |
| 9   | Hard disk drive cover  | 42X4316 | R       | *      |
| 10  | Hard disk drive, 30GB, PATA, 4200rpm, 1.8-inch<br>• 1702-CTO<br>• 1703-CTO<br>• 1704-CTO<br>• 1705-CTO<br>• 2507-CTO<br>• 2508-CTO<br>• 2533-CTO, B4x, A5x, A4x  |         |         |        |
|     | Toshiba  | 39T2747 | R       | N      |
|     | Hard disk drive, 40GB, PATA, 4200rpm, 1.8-inch<br>• 1702-CTO<br>• 1703-CTO<br>• 1704-CTO<br>• 1705-CTO<br>• 2507-CTO<br>• 2508-CTO<br>• 2533-CTO   |         |         |        |
|     | Toshiba  | 39T2749 | R       | N      |

(continued)

| No. | FRU  | FRU no. | RoHS ID | CRU ID |
|-----|--|---------|---------|--------|
| 10  | Hard disk drive, 60GB, PATA, 4200rpm, 1.8-inch   |         |         |        |
|     | <ul style="list-style-type: none"> <li>• 1702-CTO</li> <li>• 1703-CTO</li> <li>• 1704-CTO</li> <li>• 1705-CTO</li> <li>• 2507-CTO</li> <li>• 2508-CTO</li> <li>• 2533-CTO, B5x</li> </ul>  |         |         |        |
|     | Toshiba  | 39T2751 | R       | N      |
|     | Hard disk drive, 40GB, SATA, 5400rpm, 2.5-inch   |         |         |        |
|     | <ul style="list-style-type: none"> <li>• 1702-CTO, 24x, 37x, 94x, 95x, 96x, C4x, C5x, 83x, 84x, 85x, 36x, 86x, 38x, 35x, 45x, 39x, 23x</li> <li>• 1703-CTO, 37x</li> <li>• 1704-CTO</li> <li>• 1705-CTO, 24x, 85x</li> <li>• 2507-CTO</li> <li>• 2508-CTO</li> <li>• 2533-CTO</li> <li>• 1706-CTO, 4Bx, 4Cx, 46x, 26x, 25x, 55x, 75x, 76x, 44x, 33x</li> <li>• 1707-CTO</li> <li>• 1708-CTO</li> <li>• 1709-CTO, 24x, 45x</li> <li>• 2509-CTO</li> <li>• 2510-CTO</li> </ul> |         |         |        |
|     | Hitachi  | 39T2701 | R       | *      |
|     | Toshiba  | 39T2709 | R       | *      |

(continued)

Parts list

| No. | FRU   | FRU no. | RoHS ID | CRU ID |
|-----|---|---------|---------|--------|
| 10  | Hard disk drive, 60GB, SATA, 5400rpm, 2.5-inch <ul style="list-style-type: none"> <li>• 1702-CTO, 3Jx, 3Lx, 3Qx, 49x, 4Ex, 4Fx, 3Hx, 3Sx, 3Dx, 3Ex, 3Cx, 4Gx, 4Bx, 4Kx, 4Ax, 3Gx, 3Mx, 3Nx, 3Ax, 3Fx, 46x, 47x, 4Bx, 63x, 6Bx, 4Hx, 97x, 3Rx, 3Kx, 87x, 25x, 73x, 4Lx, 26x</li> <li>• 1703-CTO, 3Jx, 3Qx</li> <li>• 1704-CTO, 3Qx, 3Tx, 4Dx, 63x, 4Jx, 3Dx, 4Cx</li> <li>• 1705-CTO, 3Qx, 48x, 4Cx, 3Ux, 3Gx, 3Px</li> <li>• 2507-CTO, 3Bx</li> <li>• 2508-CTO, 3Bx</li> <li>• 2533-CTO</li> <li>• 1706-CTO, 5Dx, 5Kx, 7Ax, 7Fx, 7Gx, 5Cx, 5Px, 59x, 5Ax, 77x, 58x, 7Bx, 5Bx, 5Fx, 5Gx, 56x, 5Hx, 78x, 7Cx, 7Ex, 5Lx, 48x, 47x, 34x, 4Dx, 4Ex, 27x, 28x</li> <li>• 1707-CTO, 5Dx, 5Kx</li> <li>• 1708-CTO, 5Kx, 5Mx, 7Dx</li> <li>• 1709-CTO, 7Hx, 47x, 79x, 59x, 7Dx, 5Lx, 5Nx, 5Ax, 5Jx, 5Ex</li> <li>• 2509-CTO, 57x</li> <li>• 2510-CTO, 57x</li> <li>• 7666-CTO, 7Mx, 7Px</li> <li>• 7667-CTO</li> <li>• 7668-CTO</li> <li>• 7669-CTO</li> <li>• 7670-CTO</li> <li>• 7671-CTO</li> <li>• 7673-CTO, 23x, 33x, 34x, 39x, 3Ax, 3Dx</li> <li>• 7674-CTO</li> <li>• 7675-CTO, 33x, 34x, 39x, 3Ax</li> <li>• 7676-CTO</li> <li>• 7678-CTO</li> <li>• 7679-CTO</li> </ul> |         |         |        |
|     | Hitachi   | 42T1407 | R       | *      |
|     | Fujitsu   | 39T2883 | R       | *      |
|     | Seagate   | 42T1303 | R       | *      |

(continued)



| No. | FRU   | FRU no. | RoHS ID | CRU ID |
|-----|---|---------|---------|--------|
| 10  | Hard disk drive, 60GB, SATA, 7200rpm, 2.5-inch <ul style="list-style-type: none"> <li>• 1702-CTO</li> <li>• 1703-CTO</li> <li>• 1704-CTO</li> <li>• 1705-CTO</li> <li>• 2507-CTO</li> <li>• 2508-CTO</li> <li>• 2533-CTO</li> <li>• 1706-CTO</li> <li>• 1707-CTO</li> <li>• 1708-CTO</li> <li>• 1709-CTO</li> <li>• 2509-CTO</li> <li>• 2510-CTO</li> <li>• 7666-CTO</li> <li>• 7667-CTO</li> <li>• 7668-CTO</li> <li>• 7669-CTO</li> <li>• 7670-CTO</li> <li>• 7671-CTO</li> <li>• 7673-CTO</li> <li>• 7674-CTO</li> <li>• 7675-CTO</li> <li>• 7676-CTO</li> <li>• 7678-CTO</li> <li>• 7679-CTO</li> </ul> |         |         |        |
|     | Hitachi   | 42T1401 | R       | *      |
|     | Seagate   | 39T2795 | R       | *      |

(continued)

Parts list

| No.   | FRU  | FRU no. | RoHS ID | CRU ID |
|---|--|---------|---------|--------|
| 10  | Hard disk drive, 80GB, SATA, 5400rpm, 2.5-inch   |         |         |        |
|   | • 1702-CTO, 5Fx, 74x, 55x, 58x, 5Ex, 5Cx, 5Kx, 5Jx, 98x, 99x, C6x, C7x, 5Mx, 5Gx, 64x, 65x, 75x, 5Dx, 53x, 57x, 7Ax, 5Sx, 5Tx, 7Bx |         |         |        |
|   | • 1703-CTO   |         |         |        |
|   | • 1704-CTO, 5Bx, 66x, 56x, 5Lx, 6Ax  |         |         |        |
|   | • 1705-CTO, 59x, 54x, 5Ax, 5Hx, 5Ex, 5Dx, 53x  |         |         |        |
|   | • 2507-CTO   |         |         |        |
|   | • 2508-CTO   |         |         |        |
|   | • 2533-CTO   |         |         |        |
|   | • 1706-CTO, 63x, 64x, 8Ax, 85x, 86x, 95x, 6Dx, 89x, 87x, 8Ex, 8Dx, 49x, 4Ax, 8Bx, 93x, 94x, 8Fx, 88x, 84x, 8Kx                     |         |         |        |
|   | • 1707-CTO   |         |         |        |
|   | • 1708-CTO, 86x, 95x, 8Cx  |         |         |        |
|   | • 1709-CTO, 96x, 86x, 83x, 8Cx, 89x, 84x, 85x  |         |         |        |
|   | • 2509-CTO   |         |         |        |
|   | • 2510-CTO   |         |         |        |
| • 7666-CTO, 34x, 63x, 26x, 74x, 75x, 77x, 78x, 24x, 76x, 64x, 83x, 53x, 54x, 8Bx, 8Cx, 3Cx, 3Fx, 93x, 94x |  |         |         |        |
| • 7667-CTO, 34x, 3Fx  |  |         |         |        |
| • 7668-CTO, 24x, 79x, 7Ax, 7Bx, 7Cx, 65x, 25x, 28x, 93x, 94x  |  |         |         |        |
| • 7669-CTO, 7Fx, 35x, 37x, 56x, 7Dx   |  |         |         |        |
| • 7670-CTO  |  |         |         |        |
| • 7671-CTO  |  |         |         |        |
| • 7673-CTO, 65x, 74x, 4Hx, 3Hx, 3Jx, 3Nx, 3Lx, 24x, 3Fx, 3Gx, 25x, 44x, 3Hx, 3Kx, 66x                     |  |         |         |        |
| • 7674-CTO, 65x, 74x, 66x   |  |         |         |        |
| • 7675-CTO, 35x, 38x, 3Bx, 3Ex, 27x, 29x, 3Mx   |  |         |         |        |
| • 7676-CTO, 35x, 3HX, 3Lx, 4Px, 3Px   |  |         |         |        |
| • 7678-CTO  |  |         |         |        |
| • 7679-CTO  |  |         |         |        |
| Hitachi   | 42T1409  | R       | *       |        |
| Fujitsu   | 39T2885  | R       | *       |        |
| Seagate   | 42T1305  | R       | *       |        |
| 10  | Hard disk drive, 100GB, SATA, 5400rpm, 2.5-inch  |         |         |        |
|   | • 1702-CTO, 5Nx, 68x, 6Cx, 76x, 5Px, 77x, 5Qx  |         |         |        |
|   | • 1703-CTO   |         |         |        |
|   | • 1704-CTO, 69x  |         |         |        |
|   | • 1705-CTO   |         |         |        |
|   | • 2507-CTO   |         |         |        |
|   | • 2508-CTO   |         |         |        |
|   | • 2533-CTO   |         |         |        |
|   | • 1706-CTO, 69x, 6Bx, 8Gx, 8Hx   |         |         |        |
|   | • 1707-CTO   |         |         |        |
| • 1708-CTO  |  |         |         |        |
| • 1709-CTO, 97x   |  |         |         |        |
| • 2509-CTO  |  |         |         |        |
| • 2510-CTO  |  |         |         |        |
| Hitachi   | 39T2707  | R       | *       |        |
| Toshiba   | 39T2715  | R       | *       |        |
| Fujitsu   | 39T2643  | R       | *       |        |

(continued)

| No. | FRU  | FRU no. | RoHS ID | CRU ID |
|-----|--|---------|---------|--------|
| 10  | Hard disk drive, 100GB, SATA, 7200rpm, 2.5-inch <ul style="list-style-type: none"> <li>• 1702-CTO, 78x, 5Rx</li> <li>• 1703-CTO</li> <li>• 1704-CTO</li> <li>• 1705-CTO</li> <li>• 2507-CTO</li> <li>• 2508-CTO</li> <li>• 2533-CTO</li> <li>• 1706-CTO, 8Jx</li> <li>• 1707-CTO</li> <li>• 1708-CTO</li> <li>• 1709-CTO</li> <li>• 2509-CTO</li> <li>• 2510-CTO</li> <li>• 7666-CTO, 3Ax</li> <li>• 7667-CTO</li> <li>• 7668-CTO</li> <li>• 7669-CTO, 45x</li> <li>• 7670-CTO</li> <li>• 7671-CTO</li> <li>• 7673-CTO, 4Jx, 7Jx, 4Mx</li> <li>• 7674-CTO</li> <li>• 7675-CTO</li> <li>• 7676-CTO</li> <li>• 7678-CTO</li> <li>• 7679-CTO</li> </ul> |         |         |        |
|     | Hitachi  | 42T1403 | R       | *      |
|     | Seagate  | 39T2799 | R       | *      |

(continued)

Parts list

| No. | FRU   | FRU no. | RoHS ID | CRU ID |
|-----|---|---------|---------|--------|
| 10  | Hard disk drive, 120GB, SATA, 5400rpm, 2.5-inch <ul style="list-style-type: none"> <li>• 1702-CTO</li> <li>• 1703-CTO</li> <li>• 1704-CTO</li> <li>• 1705-CTO</li> <li>• 2507-CTO</li> <li>• 2508-CTO</li> <li>• 1706-CTO</li> <li>• 1707-CTO</li> <li>• 1708-CTO</li> <li>• 1709-CTO</li> <li>• 2509-CTO</li> <li>• 2510-CTO</li> <li>• 7666-CTO, 36x, 86x, 7Gx, 38x, 73x, 43x, 55x, 8Ax, 8Dx, 3Dx, 3Ex</li> <li>• 7667-CTO, 36x, 3Ex</li> <li>• 7668-CTO, 7Gx, 38x, 44x</li> <li>• 7669-CTO, 85x, 46x, 27x, 49x, 29x, 4Ax</li> <li>• 7670-CTO</li> <li>• 7671-CTO</li> <li>• 7673-CTO, 54x, 78x, 79x, 7Ax, 7Gx, 7Bx, 47x, 75x, 45x, 46x, 4Gx, 76x, 4Nx</li> <li>• 7674-CTO, 4Nx</li> <li>• 7675-CTO, 49x, 4Ax, 4Bx, 4Cx, 28x, 48x, 75x, 4Kx, 7Kx</li> <li>• 7676-CTO</li> <li>• 7678-CTO</li> <li>• 7679-CTO</li> </ul> |         |         |        |
|     | HGST  | 42T1417 | R       | *      |
|     | Fujitsu   | 39T2889 | R       | *      |
|     | Seagate   | 42T1307 | R       | *      |

(continued)

| No. | FRU  | FRU no. | RoHS ID | CRU ID |
|-----|--|---------|---------|--------|
| 10  | Hard disk drive, 160GB, SATA, 5400rpm, 2.5-inch<br><ul style="list-style-type: none"> <li>• 7666-CTO, 47x, 8Ex, 84x</li> <li>• 7667-CTO</li> <li>• 7668-CTO, 87x</li> <li>• 7669-CTO, 88x</li> <li>• 7670-CTO</li> <li>• 7671-CTO</li> <li>• 7673-CTO, 4Dx, 4Lx, 7Cx, 7Dx, 7Ex, 7Hx, 5Ax, 5Bx</li> <li>• 7674-CTO</li> <li>• 7675-CTO, 3Jx, 4Ex, 7Fx, 55x, 59x, 5Ax, 5Bx</li> <li>• 7676-CTO, 56x, 4Fx, 57x, 58x, 5Cx</li> <li>• 7678-CTO</li> <li>• 7679-CTO</li> </ul> |         |         |        |
|     | HGST   | 42T1419 | R       | *      |
|     | Seagate  | 42T1309 | R       | *      |
| 11  | Hard disk drive bracket screw kit, 1.8-inch<br><ul style="list-style-type: none"> <li>• 1702-CTO, 74x, 94x, 76x, 95x, 96x, 98x, 99x, C4x, C5x, C6x, C7x, 97x, 75x, 77x, 78x, 73x, 7Ax, 7Bx</li> <li>• 1703-CTO</li> <li>• 1704-CTO</li> <li>• 1705-CTO</li> <li>• 2507-CTO</li> <li>• 2508-CTO</li> <li>• 2533-CTO</li> </ul>  | 41W2142 | R       | N      |
| 12  | Hard disk drive sub card, 1.8-inch<br><ul style="list-style-type: none"> <li>• 1702-CTO, 74x, 94x, 76x, 95x, 96x, 98x, 99x, C4x, C5x, C6x, C7x, 97x, 75x, 77x, 78x, 73x, 7Ax, 7Bx</li> <li>• 1703-CTO</li> <li>• 1704-CTO</li> <li>• 1705-CTO</li> <li>• 2507-CTO</li> <li>• 2508-CTO</li> <li>• 2533-CTO, B4x, B5x, A5x, A4x</li> </ul>   | 92P6238 | R       | N      |

(continued)

Parts list

| No. | FRU  | FRU no. | RoHS ID | CRU ID |
|-----|--|---------|---------|--------|
| 12  | Hard disk drive sub card, 2.5-inch <ul style="list-style-type: none"> <li>• 1702-CTO, 3Jx, 3Lx, 3Qx, 49x, 24x, 4Ex, 37x, 5Nx, 4Fx, 3Hx, 3Sx, 68x, 6Cx, 5Fx, 3Dx, 3Ex, 3Cx, 55x, 4Gx, 58x, 5Px, 4Kx, 4Ax, 3Gx, 3Mx, 3Nx, 5Ex, 5Cx, 3Ax, 5Kx, 5Jx, 83x, 84x, 85x, 36x, 3Fx, 5Mx, 86x, 38x, 35x, 46x, 47x, 4Bx, 5Gx, 63x, 6Bx, 45x, 64x, 65x, 4Hx, 3Rx, 3Kx, 5Qx, 5Rx, 87x, 39x, 5Dx, 53x, 57x, 23x, 25x, 5Sx, 5Tx, 4Lx, 26x</li> <li>• 1703-CTO, 37x, 3Jx, 3Qx</li> <li>• 1704-CTO, 3Qx, 5Bx, 3Tx, 4Dx, 63x, 69x, 66x, 4Jx, 3Dx, 4Cx, 56x, 5Lx, 6Ax</li> <li>• 1705-CTO, 3Qx, 24x, 59x, 48x, 54x, 4Cx, 5Ax, 5Hx, 3Ux, 3Gx, 85x, 3Px, 5Ex, 5Dx, 53x</li> <li>• 2507-CTO, 3Bx</li> <li>• 2508-CTO, 3Bx</li> <li>• 2533-CTO</li> <li>• 1706-CTO, 5Dx, 5Kx, 7Ax, 7Fx, 7Gx, 5Cx, 5Px, 63x, 64x, 8Ax, 59x, 5Ax, 77x, 58x, 69x, 6Bx, 85x, 86x, 8Gx, 95x, 6Dx, 7Bx, 5Bx, 5Fx, 5Gx, 89x, 87x, 56x, 8Ex, 8Dx, 4Bx, 4Cx, 46x, 49x, 4Ax, 26x, 25x, 5Hx, 55x, 78x, 7Cx, 8Bx, 7Ex, 75x, 76x, 93x, 94x, 5Lx, 48x, 8Fx, 8Hx, 8Jx, 88x, 84x, 44x, 47x, 33x, 34x, 8Kx, 4Dx, 4Ex, 27x, 28x</li> <li>• 1707-CTO, 5Dx, 5Kx</li> <li>• 1708-CTO, 5Kx, 86x, 5Mx, 7Dx, 95x, 8Cx</li> <li>• 1709-CTO, 96x, 97x, 24x, 86x, 7Hx, 47x, 79x, 83x, 59x, 7Dx, 8Cx, 5Lx, 5Nx, 5Ax, 5Jx, 5Ex, 45x, 89x, 84x, 85x</li> <li>• 2509-CTO, 57x</li> <li>• 2510-CTO, 57x</li> <li>• 7666-All</li> <li>• 7667-All</li> <li>• 7668-All</li> <li>• 7669-All</li> <li>• 7670-All</li> <li>• 7671-All</li> <li>• 7673-All</li> <li>• 7674-All</li> <li>• 7675-All</li> <li>• 7676-All</li> <li>• 7678-All</li> <li>• 7679-All</li> </ul> | 92P6237 | R       | N      |
| 13  | WWAN aux cable for Sierra Wireless EV-DO Wireless WAN Mini PCI Express Adapter   | 93P4388 | R       | **     |

**Note:** The WWAN aux cable for Sierra Wireless EV-DO Wireless WAN Mini PCI Express Adapter **13** is included in FRU 93P4388 together with the WAN antenna cable set for Sierra Wireless EV-DO Wireless WAN Mini PCI Express Adapter (SPWG) **5** listed in “LCD FRUs” on page 181.

(continued)

| No. | FRU   | FRU no. | RoHS ID | CRU ID |
|-----|---|---------|---------|--------|
| 14  | WWAN card   |         |         |        |
|     | Sierra Wireless EV-DO Wireless WAN Mini PCI Express Adapter<br><ul style="list-style-type: none"> <li>• 1702-CTO, F6x</li> <li>• 1703-CTO</li> <li>• 1704-CTO, G3x, FAx</li> <li>• 1705-CTO</li> <li>• 2507-CTO</li> <li>• 2508-CTO</li> <li>• 1706-CTO, E3x, H5x</li> <li>• 1707-CTO</li> <li>• 1708-CTO</li> <li>• 1709-CTO, H3x, H6x, HAx</li> <li>• 2509-CTO</li> <li>• 2510-CTO</li> </ul> | 41W1177 | R       | **     |
|     | Sierra Wireless MC8755 PCI Express MiniCard<br><ul style="list-style-type: none"> <li>• 1702-CTO, F3x</li> <li>• 1703-CTO</li> <li>• 1704-CTO, F4x, F5x, F8x</li> <li>• 1705-CTO</li> <li>• 2507-CTO</li> <li>• 2508-CTO</li> <li>• 1706-CTO, P6x</li> <li>• 1707-CTO</li> <li>• 1708-CTO, E4x, H7x, HBx, HEx</li> <li>• 1709-CTO</li> <li>• 2509-CTO</li> <li>• 2510-CTO</li> </ul>            | 42T0835 | R       | N      |
|     | Integrated Cingular HSDPA 3G Wireless Broadband Network Adapter<br><ul style="list-style-type: none"> <li>• 1702-CTO, F7x</li> <li>• 1703-CTO</li> <li>• 1704-CTO</li> <li>• 1705-CTO</li> <li>• 2507-CTO</li> <li>• 2508-CTO</li> <li>• 2533-CTO</li> <li>• 1706-CTO</li> <li>• 1707-CTO</li> <li>• 1708-CTO</li> <li>• 1709-CTO</li> <li>• 2509-CTO</li> <li>• 2510-CTO</li> </ul>            | 42T0804 | R       | N      |
|     | Sierra Wireless EV-DO Wireless WAN Mini PCI Express Adapter<br><ul style="list-style-type: none"> <li>• 1706-CTO, E5x, HCx</li> <li>• 1707-CTO</li> <li>• 1708-CTO</li> <li>• 1709-CTO, HDx</li> <li>• 2509-CTO</li> <li>• 2510-CTO</li> </ul>  | 42T0863 | R       | N      |

(continued)

Parts list

| No. | FRU  | FRU no.  | RoHS ID                          | CRU ID                               |
|-----|--|--|----------------------------------|--------------------------------------|
| 14  | WWAN card<br><br>Verizon (MC5725)<br><ul style="list-style-type: none"> <li>• 7666-CTO, 47x</li> <li>• 7667-CTO</li> <li>• 7668-CTO</li> <li>• 7669-CTO, 45x</li> <li>• 7670-CTO</li> <li>• 7671-CTO</li> <li>• 7673-CTO</li> <li>• 7674-CTO</li> <li>• 7675-CTO, 55x, 59x</li> <li>• 7676-CTO, 56x</li> <li>• 7678-CTO</li> <li>• 7679-CTO</li> </ul><br>Vodafone HSDPA (MC8775)<br><ul style="list-style-type: none"> <li>• 7666-CTO</li> <li>• 7667-CTO</li> <li>• 7668-CTO, 44x, 49x, 4Ax</li> <li>• 7669-CTO</li> <li>• 7670-CTO</li> <li>• 7671-CTO</li> <li>• 7673-CTO, 53x</li> <li>• 7674-CTO</li> <li>• 7675-CTO</li> <li>• 7676-CTO, 5Cx</li> <li>• 7678-CTO</li> <li>• 7679-CTO</li> </ul><br>Cingular (MC8775)<br><ul style="list-style-type: none"> <li>• 7666-CTO, 43x</li> <li>• 7667-CTO</li> <li>• 7668-CTO</li> <li>• 7669-CTO</li> <li>• 7670-CTO</li> <li>• 7671-CTO</li> <li>• 7673-CTO</li> <li>• 7674-CTO</li> <li>• 7675-CTO</li> <li>• 7676-CTO</li> <li>• 7678-CTO</li> <li>• 7679-CTO</li> </ul><br>Sierra Wireless HSDPA (MC8775)<br><ul style="list-style-type: none"> <li>• 7666-CTO</li> <li>• 7667-CTO</li> <li>• 7668-CTO</li> <li>• 7669-CTO</li> <li>• 7670-CTO</li> <li>• 7671-CTO</li> <li>• 7673-CTO</li> <li>• 7674-CTO</li> <li>• 7675-CTO</li> <li>• 7676-CTO</li> <li>• 7678-CTO</li> <li>• 7679-CTO</li> </ul> | <br>42T0929<br><br>42T0931<br><br>42T0933<br><br>42T0901 | <br>R<br><br>R<br><br>R<br><br>R | <br>**<br><br>**<br><br>**<br><br>** |

(continued)



| No. | FRU  | FRU no. | RoHS ID | CRU ID |
|-----|--|---------|---------|--------|
| 14  | WWAN card<br><br>Telus (MC5725) <ul style="list-style-type: none"> <li>• 7666-CTO</li> <li>• 7667-CTO</li> <li>• 7668-CTO</li> <li>• 7669-CTO</li> <li>• 7670-CTO</li> <li>• 7671-CTO</li> <li>• 7673-CTO</li> <li>• 7674-CTO</li> <li>• 7675-CTO</li> <li>• 7676-CTO, 57x</li> <li>• 7678-CTO</li> <li>• 7679-CTO</li> </ul><br>KDDI <ul style="list-style-type: none"> <li>• 7666-CTO, 93x, 94x</li> <li>• 7667-CTO</li> <li>• 7668-CTO, 93x, 94x</li> <li>• 7669-CTO</li> <li>• 7670-CTO</li> <li>• 7671-CTO</li> <li>• 7673-CTO, 5Ax, 5Bx</li> <li>• 7674-CTO</li> <li>• 7675-CTO, 5Ax, 5Bx</li> <li>• 7676-CTO</li> <li>• 7678-CTO</li> <li>• 7679-CTO</li> </ul> | 42T0897 | R       | **     |
|     |  | 42T0909 | R       | **     |
| 15  | Intel Turbo Memory Card 1GB <ul style="list-style-type: none"> <li>• 7666-CTO</li> <li>• 7667-CTO</li> <li>• 7668-CTO</li> <li>• 7669-CTO</li> <li>• 7670-CTO</li> <li>• 7673-CTO</li> <li>• 7674-CTO</li> <li>• 7675-CTO</li> <li>• 7676-CTO</li> <li>• 7678-CTO</li> <li>• 7679-CTO</li> </ul>   | 42T0907 | R       | **     |

(continued)

Parts list

| No. | FRU  | FRU no. | RoHS ID | CRU ID |
|-----|--|---------|---------|--------|
| 16  | <p>Intel PRO Wireless 3945ABG PCI Express Mini Card</p> <p>US/CAN/LA/ANZ/AP/India/Hong Kong<br/>S.A.R./Taiwan</p> <ul style="list-style-type: none"> <li>• 1702-CTO, 3Jx, 3Qx, 49x, 24x, 4Ex, 37x, 5Nx, 4Fx, 3Hx, 35x, 68x, 6Cx, 3Dx, 3Ex, 3Cx, 76x, 55x, 58x, 5Px, 4Kx, 4Ax, 3Gx, 3Mx, 3Nx, 5Ex, 5Cx, 5Kx, 5Jx, 95x, 96x, 98x, 99x, C4x, C5x, C6x, C7x, 83x, 84x, 85x, 36x, 3Fx, 5Mx, 86x, 38x, 35x, 46x, 47x, 4Bx, 5Gx, 63x, 6Bx, 45x, 64x, 65x, 4Hx, 3Rx, 3Kx, 75x, 77x, 78x, 5Qx, 5Rx, 87x, 39x, 5Dx, 53x, 57x, 23x, 25x, 73x, 7Ax, 5Sx, 5Tx, 7Bx, 4Lx, 26x for xxU, xxF, xxL, xxS, xxY, xxM, xxA, xxQ, xxB, xxH, xxV, xxP</li> <li>• 1703-CTO, 37x, 3Jx, 3Qx for xxU, xxF, xxL, xxS, xxY, xxM, xxA, xxQ, xxB, xxH, xxV, xxP</li> <li>• 1704-CTO, 3Qx, 5Bx, 3Tx, 4Dx, 63x, 4Jx, 3Dx for xxU, xxF, xxL, xxS, xxY, xxM, xxA, xxQ, xxB, xxH, xxV, xxP</li> <li>• 1705-CTO, 3Qx, 24x, 59x, 48x, 54x, 4Cx, 5Ax, 3Px for xxU, xxF, xxL, xxS, xxY, xxM, xxA, xxQ, xxB, xxH, xxV, xxP</li> <li>• 2507-CTO</li> <li>• 2508-CTO</li> <li>• 2533-CTO</li> <li>• 1706-CTO, 5Dx, 5Kx, 7Ax, 7Fx, 7Gx, 5Cx, 5Px, 59x, 5Ax, 77x, 58x, 85x, 86x, 95x, 6Dx, 7Bx, 5Bx, 5Fx, 5Gx, 89x, 87x, 8Ex, 8Dx, 5Hx, 55x, 78x, 7Cx, 8Bx, 7Ex, 75x, 76x, 93x, 94x, 5Lx, 48x, 8Fx, 8Hx, 8Jx, 88x, 84x, 44x, 47x, 33x, 34x, 8Kx, 4Dx, 4Ex, 27x, 28x for xxU, xxF, xxL, xxS, xxY, xxM, xxA, xxQ, xxB, xxH, xxV, xxP</li> <li>• 1707-CTO, 5Dx, 5Kx for xxU, xxF, xxL, xxS, xxY, xxM, xxA, xxQ, xxB, xxH, xxV, xxP</li> <li>• 1708-CTO, 5Kx, 86x, 5Mx for xxU, xxF, xxL, xxS, xxY, xxM, xxA, xxQ, xxB, xxH, xxV, xxP</li> <li>• 1709-CTO, 24x, 86x, 7Hx, 47x, 79x, 83x, 59x, 7Dx, 5Jx for xxU, xxF, xxL, xxS, xxY, xxM, xxA, xxQ, xxB, xxH, xxV, xxP</li> <li>• 2509-CTO</li> <li>• 2510-CTO</li> </ul> <p>(continued)</p> | 42T0853 | R       | **     |

(continued)

| No. | FRU  | FRU no. | RoHS ID | CRU ID |
|-----|--|---------|---------|--------|
| 16  | <p data-bbox="529 249 1097 277">Intel PRO Wireless 3945ABG PCI Express Mini Card</p> <p data-bbox="574 291 1055 348">US/CAN/LA/ANZ/AP/India/Hong Kong<br/>S.A.R./Taiwan</p> <ul data-bbox="574 352 1146 1367" style="list-style-type: none"> <li data-bbox="574 352 1146 491">• 1702-CTO, HFx, D5x, D6x, 3Wx, D8x, E7x, E8x, HCx, F3x, E3x, F6x, 7Cx, H7x, H8x, H9x, H5x, H6x, ELx, HGx, K4x, DCx, K5x, ENx, F9x, K6x, EPx for xxU, xxF, xxL, xxS, xxY, xxM, xxA, xxQ, xxB, xxH, xxV, xxP</li> <li data-bbox="574 495 1146 552">• 1703-CTO, D6x, 3Wx, D8x, E7x for xxU, xxF, xxL, xxS, xxY, xxM, xxA, xxQ, xxB, xxH, xxV, xxP</li> <li data-bbox="574 556 1146 638">• 1704-CTO, 3Yx, EBx, 7Mx, J8x, EKx, F8x, EMx, FAX for xxU, xxF, xxL, xxS, xxY, xxM, xxA, xxQ, xxB, xxH, xxV, xxP</li> <li data-bbox="574 642 1146 724">• 1705-CTO, Dbx, Ejx, B6x, B7x, HHx, 7Kx, 7Lx, K7x, EKx, 7Nx, K9x for xxU, xxF, xxL, xxS, xxY, xxM, xxA, xxQ, xxB, xxH, xxV, xxP</li> <li data-bbox="574 728 1146 785">• 2507-CTO for xxU, xxF, xxL, xxS, xxY, xxM, xxA, xxQ, xxB, xxH, xxV, xxP</li> <li data-bbox="574 789 1146 846">• 2508-CTO for xxU, xxF, xxL, xxS, xxY, xxM, xxA, xxQ, xxB, xxH, xxV, xxP</li> <li data-bbox="574 850 1146 989">• 1706-CTO, 5Yx, B5x, C9x, CEx, B8x, AUx, 5Vx, E3x, C5x, 5Qx, 5Rx, C6x, C7x, E5x, CHx, QFx, QDx, P4x, QAx, KKx, Pfx, Q5x, KHx, P9x, QBx, PDx, BAx, Q9x, CJx, QEx, P5x, P6x for xxU, xxF, xxL, xxS, xxY, xxM, xxA, xxQ, xxB, xxH, xxV, xxP</li> <li data-bbox="574 993 1146 1050">• 1707-CTO, B5x, C9x, B8x, 5Vx for xxU, xxF, xxL, xxS, xxY, xxM, xxA, xxQ, xxB, xxH, xxV, xxP</li> <li data-bbox="574 1054 1146 1136">• 1708-CTO, B7x, PBx, PCx, Q8x, Q9x, P8x, HBx, AWx, HEx, PHx, KMx for xxU, xxF, xxL, xxS, xxY, xxM, xxA, xxQ, xxB, xxH, xxV, xxP</li> <li data-bbox="574 1140 1146 1249">• 1709-CTO, H6x, C6x, ASx, 5Wx, 5Xx, HDx, KHx, Q4x, HAx, KJx, PEx, QCx, PAx, PGx, QGx, KLx for xxU, xxF, xxL, xxS, xxY, xxM, xxA, xxQ, xxB, xxH, xxV, xxP</li> <li data-bbox="574 1253 1146 1310">• 2509-CTO for xxU, xxF, xxL, xxS, xxY, xxM, xxA, xxQ, xxB, xxH, xxV, xxP</li> <li data-bbox="574 1314 1146 1371">• 2510-CTO for xxU, xxF, xxL, xxS, xxY, xxM, xxA, xxQ, xxB, xxH, xxV, xxP</li> </ul> <p data-bbox="574 1381 703 1409">(continued)</p> | 42T0853 | R       | **     |

(continued)

Parts list

| No. | FRU  | FRU no. | RoHS ID | CRU ID |
|-----|--|---------|---------|--------|
| 16  | <p>Intel PRO Wireless 3945ABG PCI Express Mini Card</p> <p>US/CAN/LA/ANZ/AP/India/Hong Kong<br/>S.A.R./Taiwan</p> <ul style="list-style-type: none"> <li>• 7666-CTO, 63x, 26x, 86x, 47x, 7Mx, 74x, 75x, 7Px, 77x, 78x, 24x, 7Gx, 38x, 8Ex, 73x, 76x, 64x, 83x, 43x, 8Ax, 8Bx, 8Cx, 8Dx, 3Cx, 3Dx, 93x, 94x for xxU, xxF, xxL, xxP, xxS, xxY, xxM, xxA, xxQ, xxB, xxH, xxV</li> <li>• 7667-CTO for xxU, xxF, xxL, xxP, xxS, xxY, xxM, xxA, xxQ, xxB, xxH, xxV</li> <li>• 7668-CTO, 24x, 7Gx, 38x, 65x, 44x, 25x, 28x, 93x, 94x for xxU, xxF, xxL, xxP, xxS, xxY, xxM, xxA, xxQ, xxB, xxH, xxV</li> <li>• 7669-CTO, 7Fx, 37x, 56x, 45x, 7Dx, 88x, 85x, 27x, 49x, 29x, 4Ax for xxU, xxF, xxL, xxP, xxS, xxY, xxM, xxA, xxQ, xxB, xxH, xxV</li> <li>• 7670-CTO for xxU, xxF, xxL, xxP, xxS, xxY, xxM, xxA, xxQ, xxB, xxH, xxV</li> <li>• 7671-CTO for xxU, xxF, xxL, xxP, xxS, xxY, xxM, xxA, xxQ, xxB, xxH, xxV</li> <li>• 7673-CTO, 4Hx, 53x, 54x, 7Gx, 24x, 4Dx, 4Lx, 3Fx, 3Gx, 4Gx, 3Hx, 7Ex, 3Kx, 5Ax, 5Bx for xxU, xxF, xxL, xxP, xxS, xxY, xxM, xxA, xxQ, xxB, xxH, xxV</li> <li>• 7674-CTO, 65x, 74x for xxU, xxF, xxL, xxP, xxS, xxY, xxM, xxA, xxQ, xxB, xxH, xxV</li> <li>• 7675-CTO, 26x, 34x, 37x, 3Ax, 3Dx, 27x, 3Jx, 48x, 29x, 55x, 3Mx, 4Kx, 59x, 34x, 3Ax, 27x, 3Jx, 48x, 29x, 55x, 3Mx, 4Kx, 59x, 5Ax, 5Bx for xxU, xxF, xxL, xxP, xxS, xxY, xxM, xxA, xxQ, xxB, xxH, xxV</li> <li>• 7676-CTO, 56x, 3HX, 57x, 58x, 4Px for xxU, xxF, xxL, xxP, xxS, xxY, xxM, xxA, xxQ, xxB, xxH, xxV</li> <li>• 7678-CTO for xxU, xxF, xxL, xxP, xxS, xxY, xxM, xxA, xxQ, xxB, xxH, xxV</li> <li>• 7679-CTO for xxU, xxF, xxL, xxP, xxS, xxY, xxM, xxA, xxQ, xxB, xxH, xxV</li> </ul> | 42T0853 | R       | **     |

(continued)

| No. | FRU   | FRU no. | RoHS ID | CRU ID |
|-----|---|---------|---------|--------|
| 16  | Intel PRO Wireless 3945ABG PCI Express Mini Card  |         |         |        |
|     | EMEA <ul style="list-style-type: none"> <li>• 1702-CTO, 3Jx, 3Qx, 4Ex, 37x, 55x, 5Px for xxG</li> <li>• 1703-CTO, 37x, 3Jx, 3Qx for xxG</li> <li>• 1704-CTO, 4Cx, 56x, 5Lx, 6Ax for xxG</li> <li>• 1705-CTO, 4Cx, 5Hx for xxG</li> <li>• 2507-CTO</li> <li>• 2508-CTO</li> <li>• 2533-CTO</li> <li>• 1706-CTO, 8Gx for xxG</li> <li>• 1707-CTO, 5Dx, 5Kx for xxG</li> <li>• 1708-CTO, 7Dx, 95x, 8Cx for xxG</li> <li>• 1709-CTO for xxG</li> <li>• 2509-CTO</li> <li>• 2510-CTO</li> <li>• 1702-CTO, D6x, 3Wx, D8x, E7x, E8x, HCx, ELx, HGx, K4x, DCx, K5x, ENx, F9x, K6x, EPx for xxG</li> <li>• 1703-CTO, D6x, 3Wx, D8x, E7x for xxG</li> <li>• 1704-CTO, EAx, ECx, EFx, EGx, F4x, 7Mx, J8x, EKx, F8x, EMx, FAx for xxG</li> <li>• 1705-CTO, HHx, 7Kx, 7Lx, K7x, EKx, 7Nx, K9x for xxG</li> <li>• 2507-CTO for xxG</li> <li>• 2508-CTO for xxG</li> <li>• 1706-CTO, B5x, C9x, AXx, B8x, 5Vx, E5x, CHx, QFx, QDx, P4x, QAx, KKx, Pfx, Q5x, KHx, P9x, QBx, PDx, BAx, Q9x, CJx, QEx, P5x, P6x for xxG</li> <li>• 1707-CTO, B5x, C9x, B8x, 5Vx for xxG</li> <li>• 1708-CTO, E4x, PBx, PCx, Q8x, Q9x, P8x, HBx, AWx, HEx, PHx, KMx for xxG</li> <li>• 1709-CTO, HDx, KHx, Q4x, HAx, KJx, PEx, QCx, Pax, PGx, QGx, KLx for xxG</li> <li>• 2509-CTO for xxG</li> <li>• 2510-CTO for xxG</li> <li>• 7666-CTO, 63x, 26x, 86x, 47x, 7Mx, 74x, 75x, 7Px, 77x, 78x, 24x, 7Gx, 38x, 8Ex, 73x, 76x, 64x, 83x, 43x, 8Ax, 8Bx, 8Cx, 8Dx, 3Cx, 3Dx, 93x, 94x for xxG</li> <li>• 7667-CTO for xxG</li> <li>• 7668-CTO, 24x, 7Gx, 38x, 65x, 44x, 25x, 28x, 93x, 94x for xxG</li> <li>• 7669-CTO, 7Fx, 37x, 56x, 45x, 7Dx, 88x, 85x, 27x, 49x, 29x, 4Ax for xxG</li> <li>• 7670-CTO for xxG</li> <li>• 7671-CTO for xxG</li> <li>• 7673-CTO, 4Hx, 53x, 54x, 7Gx, 24x, 4Dx, 4Lx, 3Fx, 3Gx, 4Gx, 3Hx, 7Ex, 3Kx, 5Ax, 5Bx for xxG</li> <li>• 7674-CTO, 65x, 74x for xxG</li> <li>• 7675-CTO, 26x, 34x, 37x, 3Ax, 3Dx, 27x, 3Jx, 48x, 29x, 55x, 3Mx, 4Kx, 59x, 34x, 3Ax, 27x, 3Jx, 48x, 29x, 55x, 3Mx, 4Kx, 59x, 5Ax, 5Bx for xxG</li> <li>• 7676-CTO, 56x, 3HX, 57x, 58x, 4Px for xxG</li> <li>• 7678-CTO for xxG</li> <li>• 7679-CTO for xxG</li> </ul> | 42T0855 | R       | **     |

(continued)

Parts list

| No. | FRU   | FRU no. | RoHS ID | CRU ID |
|-----|---|---------|---------|--------|
| 16  | <p>Intel PRO Wireless 3945ABG PCI Express Mini Card</p> <p>China/Korea</p> <ul style="list-style-type: none"> <li>• 1702-CTO, 3Jx, 3Qx, 49x, 4Ex, 37x, 4Fx, 58x, 5Jx, 84x, 85x, 36x, 3Fx, 5Mx, 86x, 38x, 5Gx, 3Rx, 3Kx, 75x, 77x, 78x, 5Qx, 5Rx, 87x, 39x, 23x, 25x, 73x, 3Hx, 3Cx, 3Nx, 5Kx, 83x, 5Dx, 53x, 57x, 5Sx for xxC, xxK</li> <li>• 1703-CTO, 37x, 3Jx, 3Qx for xxC, xxK</li> <li>• 1704-CTO</li> <li>• 1705-CTO, 3Qx, 5Ax, 5Hx, 3Ux, 3Gx, 85x, 5Ex, 5Dx, 53x for xxC, xxK</li> <li>• 2507-CTO</li> <li>• 2508-CTO</li> <li>• 2533-CTO</li> <li>• 1706-CTO, 5Dx, 5Kx, 7Fx, 5Cx, 86x, 5Bx, 5Gx, 89x, 8Ex, 8Dx, 5Lx, 48x, 8Fx, 8Hx, 8Jx, 88x, 84x, 44x, 47x, 33x, 34x for xxC, xxK</li> <li>• 1707-CTO, 5Dx, 5Kx for xxC, xxK</li> <li>• 1708-CTO for xxC, xxK</li> <li>• 1709-CTO, 86x, 8Cx, 5Lx, 5Nx, 5Ax, 5Ex, 45x, 89x, 84x, 85x for xxC, xxK</li> <li>• 2509-CTO</li> <li>• 2510-CTO</li> <li>• 1702-CTO, D6x, 3Wx, D8x, E7x, E5x, EEx, HAx, HDx, HEx, ELx, HGx, K4x, DCx, K5x, ENx, F9x, K6x, EPx for xxC, xxK</li> <li>• 1703-CTO, D6x, 3Wx, D8x, E7x for xxC, xxK</li> <li>• 1704-CTO, 7Mx, J8x, EKx, F8x, EMx, FAx for xxC, xxK</li> <li>• 1705-CTO, DBx, 89x, D7x, D9x, Dax, 3Xx, HHx, 7Kx, 7Lx, K7x, EKx, 7Nx, K9x for xxC, xxK</li> <li>• 2507-CTO for xxC, xxK</li> <li>• 2508-CTO for xxC, xxK</li> <li>• 1706-CTO, B5x, C9x, B8x, 5Vx, C6x, CDx, CFx, GBx, GCx, G7x, E5x, CHx, QFx, QDx, P4x, QAx, KKx, Pfx, Q5x, KHx, P9x, QBx, PDx, BAx, Q9x, CJx, QEx, P5x, P6x for xxC, xxK</li> <li>• 1707-CTO, B5x, C9x, B8x, 5Vx for xxC, xxK</li> <li>• 1708-CTO, PBx, PCx, Q8x, Q9x, P8x, HBx, AWx, HEx, PHx, KMx for xxC, xxK</li> <li>• 1709-CTO, C6x, ATx, 5Sx, C4x, B6x, CAx, B9x, HDx, KHx, Q4x, HAx, KJx, PEx, QCx, Pax, PGx, QGx, KLx for xxC, xxK</li> <li>• 2509-CTO for xxC, xxK</li> <li>• 2510-CTO for xxC, xxK</li> </ul> <p>(continued)</p> | 42T0857 | R       | **     |

(continued)

| No. | FRU  | FRU no. | RoHS ID | CRU ID |
|-----|--|---------|---------|--------|
| 16  | Intel PRO Wireless 3945ABG PCI Express Mini Card   |         |         |        |
|     | China/Korea <ul style="list-style-type: none"> <li>• 7666-CTO, 63x, 26x, 86x, 47x, 7Mx, 74x, 75x, 7Px, 77x, 78x, 24x, 7Gx, 38x, 8Ex, 73x, 76x, 64x, 83x, 43x, 8Ax, 8Bx, 8Cx, 8Dx, 3Cx, 3Dx, 93x, 94x for xxC, xxK</li> <li>• 7667-CTO for xxC, xxK</li> <li>• 7668-CTO, 24x, 7Gx, 38x, 65x, 44x, 25x, 28x, 93x, 94x for xxC, xxK</li> <li>• 7669-CTO, 7Fx, 37x, 56x, 45x, 7Dx, 88x, 85x, 27x, 49x, 29x, 4Ax for xxC, xxK</li> <li>• 7670-CTO for xxC, xxK</li> <li>• 7671-CTO for xxC, xxK</li> <li>• 7673-CTO, 4Hx, 53x, 54x, 7Gx, 24x, 4Dx, 4Lx, 3Fx, 3Gx, 4Gx, 3Hx, 7Ex, 3Kx, 5Ax, 5Bx for xxC, xxK</li> <li>• 7674-CTO, 65x, 74x for xxC, xxK</li> <li>• 7675-CTO, 26x, 34x, 37x, 3Ax, 3Dx, 27x, 3Jx, 48x, 29x, 55x, 3Mx, 4Kx, 59x, 34x, 3Ax, 27x, 3Jx, 48x, 29x, 55x, 3Mx, 4Kx, 59x, 5Ax, 5Bx for xxC, xxK</li> <li>• 7676-CTO, 56x, 3HX, 57x, 58x, 4Px for xxC, xxK</li> <li>• 7678-CTO for xxC, xxK</li> <li>• 7679-CTO for xxC, xxK</li> </ul> | 42T0857 | R       | **     |
|     | Japan <ul style="list-style-type: none"> <li>• 1702-CTO, 3Jx, 3Qx, 37x, 95x, 98x, C6x, 96x, 99x, C4x, C5x, C7x for xxJ, xxE</li> <li>• 1703-CTO, 37x, 3Jx, 3Qx for xxJ, xxE</li> <li>• 1704-CTO</li> <li>• 1705-CTO</li> <li>• 2507-CTO</li> <li>• 2508-CTO</li> <li>• 2533-CTO</li> <li>• 1706-CTO, 5Dx, 5Kx, 44x, 47x, 33x, 34x for xxJ, xxE</li> <li>• 1707-CTO, 5Dx, 5Kx for xxJ, xxE</li> <li>• 1708-CTO for xxJ, xxE</li> <li>• 1709-CTO for xxJ, xxE</li> <li>• 2509-CTO</li> <li>• 2510-CTO</li> </ul> (continued)   | 42T0859 | R       | **     |

(continued)

Parts list

| No. | FRU  | FRU no. | RoHS ID | CRU ID |
|-----|--|---------|---------|--------|
| 16  | Intel PRO Wireless 3945ABG PCI Express Mini Card<br><br>Japan <ul style="list-style-type: none"> <li>• 1702-CTO, D6x, 3Wx, D8x, E7x, 7Dx, 7Ex, ELx, HGx, K4x, DCx, K5x, ENx, F9x, K6x, EPx for xxJ, xxE</li> <li>• 1703-CTO, D6x, 3Wx, D8x, E7x for xxJ, xxE</li> <li>• 1704-CTO, 7Mx, J8x, EKx, F8x, EMx, FAX for xxJ, xxE</li> <li>• 1705-CTO, 7Dx, 7Ex, HHx, 7Kx, 7Lx, K7x, EKx, 7Nx, K9x for xxJ, xxE</li> <li>• 2507-CTO for xxJ, xxE</li> <li>• 2508-CTO for xxJ, xxE</li> <li>• 1706-CTO, B5x, C9x, B8x, 5Vx, E5x, CHx, QFx, QDx, P4x, QAx, KKx, Pfx, Q5x, KHx, P9x, QBx, PDx, BAx, Q9x, CJx, QEx, P5x, P6x for xxJ, xxE</li> <li>• 1707-CTO, B5x, C9x, B8x, 5Vx for xxE, xxJ</li> <li>• 1708-CTO, PBx, PCx, Q8x, Q9x, P8x, HBx, AWx, HEx, PHx, KMx for xxE, xxJ</li> <li>• 1709-CTO, HDx, KHx, Q4x, HAx, KJx, PEx, QCx, Pax, PGx, QGx, KLx for xxE, xxJ</li> <li>• 2509-CTO for xxE, xxJ</li> <li>• 2510-CTO for xxE, xxJ</li> <li>• 7666-CTO, 63x, 26x, 86x, 47x, 7Mx, 74x, 75x, 7Px, 77x, 78x, 24x, 7Gx, 38x, 8Ex, 73x, 76x, 64x, 83x, 43x, 8Ax, 8Bx, 8Cx, 8Dx, 3Cx, 3Dx, 93x, 94x for xxE, xxJ</li> <li>• 7667-CTO for xxE, xxJ</li> <li>• 7668-CTO, 24x, 7Gx, 38x, 65x, 44x, 25x, 28x, 93x, 94x for xxE, xxJ</li> <li>• 7669-CTO, 7Fx, 37x, 56x, 45x, 7Dx, 88x, 85x, 27x, 49x, 29x, 4Ax for xxE, xxJ</li> <li>• 7670-CTO for xxE, xxJ</li> <li>• 7671-CTO for xxE, xxJ</li> <li>• 7673-CTO, 4Hx, 53x, 54x, 7Gx, 24x, 4Dx, 4Lx, 3Fx, 3Gx, 4Gx, 3Hx, 7Ex, 3Kx, 5Ax, 5Bx for xxE, xxJ</li> <li>• 7674-CTO, 65x, 74x for xxE, xxJ</li> <li>• 7675-CTO, 26x, 34x, 37x, 3Ax, 3Dx, 27x, 3Jx, 48x, 29x, 55x, 3Mx, 4Kx, 59x, 34x, 3Ax, 27x, 3Jx, 48x, 29x, 55x, 3Mx, 4Kx, 59x, 5Ax, 5Bx for xxE, xxJ</li> <li>• 7676-CTO, 56x, 3HX, 57x, 58x, 4Px for xxE, xxJ</li> <li>• 7678-CTO for xxE, xxJ</li> <li>• 7679-CTO for xxE, xxJ</li> </ul> | 42T0859 | R       | **     |

(continued)



| No. | FRU   | FRU no. | RoHS ID | CRU ID |
|-----|---|---------|---------|--------|
| 16  | Intel PRO Wireless 3945ABG PCI Express Mini Card  |         |         |        |
|     | <ul style="list-style-type: none"> <li>'a' disabled</li> <li>• 1702-CTO, 3Jx, 3Qx, 4Ex, 37x, 3Dx, 3Cx, 3Mx, 38x, 35x, 23x, 25x, 73x, 55x for xxT</li> <li>• 1703-CTO, 37x, 3Jx, 3Qx for xxT</li> <li>• 1704-CTO</li> <li>• 1705-CTO</li> <li>• 2507-CTO</li> <li>• 2508-CTO</li> <li>• 2533-CTO</li> <li>• 1706-CTO, 5Dx, 5Kx, 7Fx, 59x, 58x, 5Fx, 5Hx, 55x, 44x, 47x, 33x, 34x for xxT</li> <li>• 1707-CTO, 5Dx, 5Kx for xxT</li> <li>• 1708-CTO for xxT</li> <li>• 1709-CTO for xxT</li> <li>• 2509-CTO</li> <li>• 2510-CTO</li> <li>• 1702-CTO, D6x, 3Wx, D8x, E7x, ELx, HGx, K4x, DCx, K5x, ENx, F9x, K6x, EPx for xxT</li> <li>• 1703-CTO, D6x, 3Wx, D8x, E7x for xxT</li> <li>• 1704-CTO, 7Mx, J8x, EKx, F8x, EMx, FAx for xxT</li> <li>• 1705-CTO, HHx, 7Kx, 7Lx, K7x, EKx, 7Nx, K9x for xxT</li> <li>• 2507-CTO for xxT</li> <li>• 2508-CTO for xxT</li> <li>• 1706-CTO, B5x, C9x, B8x, 5Vx, C5x, E5x, CHx, QFx, QDx, P4x, QAx, KKx, PFx, Q5x, KHx, P9x, QBx, PDx, BAx, Q9x, CJx, QEx, P5x, P6x for xxT</li> <li>• 1707-CTO for xxT</li> <li>• 1708-CTO, PBx, PCx, Q8x, Q9x, P8x, HBx, AWx, HEx, PHx, KMx for xxT</li> <li>• 1709-CTO, HDx, KHx, Q4x, HAx, KJx, PEx, QCx, Pax, PGx, QGx, KLx for xxT</li> <li>• 2509-CTO for xxT</li> <li>• 2510-CTO for xxT</li> <li>• 7666-CTO, 63x, 26x, 86x, 47x, 7Mx, 74x, 75x, 7Px, 77x, 78x, 24x, 7Gx, 38x, 8Ex, 73x, 76x, 64x, 83x, 43x, 8Ax, 8Bx, 8Cx, 8Dx, 3Cx, 3Dx, 93x, 94x for xxT</li> <li>• 7667-CTO for xxT</li> <li>• 7668-CTO, 24x, 7Gx, 38x, 65x, 44x, 25x, 28x, 93x, 94x for xxT</li> <li>• 7669-CTO, 7Fx, 37x, 56x, 45x, 7Dx, 88x, 85x, 27x, 49x, 29x, 4Ax for xxT</li> <li>• 7670-CTO for xxT</li> <li>• 7671-CTO for xxT</li> <li>• 7673-CTO, 4Hx, 53x, 54x, 7Gx, 24x, 4Dx, 4Lx, 3Fx, 3Gx, 4Gx, 3Hx, 7Ex, 3Kx, 5Ax, 5Bx for xxT</li> <li>• 7674-CTO, 65x, 74x for xxT</li> <li>• 7675-CTO, 26x, 34x, 37x, 3Ax, 3Dx, 27x, 3Jx, 48x, 29x, 55x, 3Mx, 4Kx, 59x, 34x, 3Ax, 27x, 3Jx, 48x, 29x, 55x, 3Mx, 4Kx, 59x, 5Ax, 5Bx for xxT</li> <li>• 7676-CTO, 56x, 3HX, 57x, 58x, 4Px for xxT</li> <li>• 7678-CTO for xxT</li> <li>• 7679-CTO for xxT</li> </ul> | 42T0861 | R       | **     |

(continued)

Parts list

| No. | FRU   | FRU no. | RoHS ID | CRU ID |
|-----|---|---------|---------|--------|
| 16  | ThinkPad 11a/b/g Wireless LAN PCI Express Mini Card<br><br>Japan <ul style="list-style-type: none"> <li>• 1702-CTO for xxJ, xxE</li> <li>• 1703-CTO</li> <li>• 1704-CTO</li> <li>• 1705-CTO</li> <li>• 2507-CTO</li> <li>• 2508-CTO</li> <li>• 2533-CTO, B5x for xxJ, xxE</li> <li>• 1706-CTO, 63x, 64x, 69x, 6Bx, 4Bx, 4Cx, 49x, 4Ax, 26x for xxJ, xxE</li> <li>• 1707-CTO</li> <li>• 1708-CTO</li> <li>• 1709-CTO for xxJ, xxE</li> <li>• 2509-CTO</li> <li>• 2510-CTO</li> </ul>   | 39T5613 | R       | **     |
|     | Japan <ul style="list-style-type: none"> <li>• 1702-CTO for xxJ, xxE</li> <li>• 1703-CTO for xxJ, xxE</li> <li>• 1704-CTO for xxJ, xxE</li> <li>• 1705-CTO for xxJ, xxE</li> <li>• 2507-CTO for xxJ, xxE</li> <li>• 2508-CTO for xxJ, xxE</li> <li>• 1706-CTO, 63x, 64x, 69x, 6Bx, 4Bx, 4Cx, 49x, 4Ax, 26x, ABx, ACx, A9x, Aax, 5Tx, 5Ux for xxJ, xxE</li> <li>• 1707-CTO, 63x, 64x, 69x, 6Bx, 4Bx, 4Cx, 49x, 4Ax, 26x, ABx, ACx, A9x, AAx for xxJ, xxE</li> <li>• 1708-CTO, 63x, 64x, 69x, 6Bx, 4Bx, 4Cx, 49x, 4Ax, 26x, ABx, ACx, A9x, AAx for xxJ, xxE</li> <li>• 1709-CTO, 63x, 64x, 69x, 6Bx, 4Bx, 4Cx, 49x, 4Ax, 26x, ABx, ACx, A9x, AAx, 5Tx, 5Ux, P7x, Q6x, Q7x, BBx for xxJ, xxE</li> <li>• 2509-CTO, 63x, 64x, 69x, 6Bx, 4Bx, 4Cx, 49x, 4Ax, 26x, ABx, ACx, A9x, AAx for xxJ, xxE</li> <li>• 2510-CTO, 63x, 64x, 69x, 6Bx, 4Bx, 4Cx, 49x, 4Ax, 26x, ABx, ACx, A9x, AAx for xxJ, xxE</li> <li>• 7666-CTO for xxJ, xxE</li> <li>• 7667-CTO for xxJ, xxE</li> <li>• 7668-CTO for xxJ, xxE</li> <li>• 7669-CTO for xxJ, xxE</li> <li>• 7670-CTO for xxJ, xxE</li> <li>• 7671-CTO for xxJ, xxE</li> <li>• 7673-CTO, 4Jx, 23x, 34x, 3Hx, 78x, 37x, 3Jx, 79x, 3Ax, 3Nx, 7Ax, 3Dx, 3Lx, 7Bx, 47x for xxJ, xxE</li> <li>• 7674-CTO for xxJ, xxE</li> <li>• 7675-CTO for xxJ, xxE</li> <li>• 7676-CTO for xxJ, xxE</li> <li>• 7678-CTO for xxJ, xxE</li> <li>• 7679-CTO for xxJ, xxE</li> </ul> | 39T5579 | R       | **     |

(continued)

| No. | FRU   | FRU no. | RoHS ID | CRU ID |
|-----|---|---------|---------|--------|
| 16  | ThinkPad 11a/b/g Wireless LAN PCI Express Mini Card   |         |         |        |
|     | Taiwan <ul style="list-style-type: none"> <li>• 1702-CTO, 74x, 97x for xxV</li> <li>• 1703-CTO</li> <li>• 1704-CTO</li> <li>• 1705-CTO</li> <li>• 2507-CTO</li> <li>• 2508-CTO</li> <li>• 2533-CTO</li> <li>• 1706-CTO for xxV</li> <li>• 1707-CTO</li> <li>• 1708-CTO</li> <li>• 1709-CTO for xxV</li> <li>• 2509-CTO</li> <li>• 2510-CTO</li> </ul> | 39T5615 | R       | **     |

(continued)

Parts list

| No. | FRU   | FRU no. | RoHS ID | CRU ID |
|-----|---|---------|---------|--------|
| 16  | ThinkPad 11a/b/g Wireless LAN PCI Express Mini Card   |         |         |        |
|     | Taiwan <ul style="list-style-type: none"> <li>• 1702-CTO, E6x, 74x, 97x for xxV</li> <li>• 1703-CTO for xxV</li> <li>• 1704-CTO for xxV</li> <li>• 1705-CTO for xxV</li> <li>• 2507-CTO for xxV</li> <li>• 2508-CTO for xxV</li> <li>• 1706-CTO for xxV</li> <li>• 1707-CTO for xxV</li> <li>• 1708-CTO for xxV</li> <li>• 1709-CTO, P7x, Q6x, Q7x, BBx for xxV</li> <li>• 2509-CTO for xxV</li> <li>• 2510-CTO for xxV</li> <li>• 7666-CTO for xxV</li> <li>• 7667-CTO for xxV</li> <li>• 7668-CTO for xxV</li> <li>• 7669-CTO for xxV</li> <li>• 7670-CTO for xxV</li> <li>• 7671-CTO for xxV</li> <li>• 7673-CTO, 4Jx, 23x, 34x, 3Hx, 78x, 37x, 3Jx, 79x, 3Ax, 3Nx, 7Ax, 3Dx, 3Lx, 7Bx, 47x for xxV</li> <li>• 7674-CTO for xxV</li> <li>• 7675-CTO for xxV</li> <li>• 7676-CTO for xxV</li> <li>• 7678-CTO for xxV</li> <li>• 7679-CTO for xxV</li> </ul> | 39T5580 | R       | **     |
|     | 'a' disabled <ul style="list-style-type: none"> <li>• 1702-CTO for xxA, xxT</li> <li>• 1703-CTO</li> <li>• 1704-CTO</li> <li>• 1705-CTO</li> <li>• 2507-CTO</li> <li>• 2508-CTO</li> <li>• 2533-CTO</li> <li>• 1706-CTO for xxA, xxT</li> <li>• 1707-CTO</li> <li>• 1708-CTO</li> <li>• 1709-CTO for xxA, xxT</li> <li>• 2509-CTO</li> <li>• 2510-CTO</li> </ul>  | 39T5617 | R       | **     |

(continued)

| No. | FRU   | FRU no. | RoHS ID | CRU ID |
|-----|---|---------|---------|--------|
| 16  | ThinkPad 11a/b/g Wireless LAN PCI Express Mini Card<br><br>'a' disabled <ul style="list-style-type: none"> <li>• 1702-CTO for xxA, xxT</li> <li>• 1703-CTO for xxA, xxT</li> <li>• 1704-CTO for xxA, xxT</li> <li>• 1705-CTO for xxA, xxT</li> <li>• 2507-CTO for xxA, xxT</li> <li>• 2508-CTO for xxA, xxT</li> <li>• 1706-CTO for xxA, xxT</li> <li>• 1707-CTO for xxA, xxT</li> <li>• 1708-CTO for xxA, xxT</li> <li>• 1709-CTO, P7x, Q6x, Q7x, BBx for xxA, xxT</li> <li>• 2509-CTO for xxA, xxT</li> <li>• 2510-CTO for xxA, xxT</li> <li>• 7666-CTO for xxT</li> <li>• 7667-CTO for xxT</li> <li>• 7668-CTO for xxT</li> <li>• 7669-CTO for xxT</li> <li>• 7670-CTO for xxT</li> <li>• 7671-CTO for xxT</li> <li>• 7673-CTO, 4Jx, 23x, 34x, 3Hx, 78x, 37x, 3Jx, 79x, 3Ax, 3Nx, 7Ax, 3Dx, 3Lx, 7Bx, 47x for xxT</li> <li>• 7674-CTO for xxT</li> <li>• 7675-CTO for xxT</li> <li>• 7676-CTO for xxT</li> <li>• 7678-CTO for xxT</li> <li>• 7679-CTO for xxT</li> </ul> | 39T5581 | R       | **     |

(continued)

Parts list

| No. | FRU   | FRU no. | RoHS ID | CRU ID |
|-----|---|---------|---------|--------|
| 16  | ThinkPad 11a/b/g Wireless LAN PCI Express Mini Card<br><br>US/Canada/EU/Latin America/ANZ <ul style="list-style-type: none"> <li>• 1702-CTO, 3Lx, 5Fx, 94x, 4Gx for xxU, xxF, xxL, xxP, xxS, xxY, xxG, xxM, xxQ, xxB, xxH, xxC, xxK</li> <li>• 1703-CTO</li> <li>• 1704-CTO, 69x, 66x for xxU, xxF, xxL, xxP, xxS, xxY, xxG, xxM, xxQ, xxB, xxH, xxC, xxK</li> <li>• 1705-CTO</li> <li>• 2507-CTO</li> <li>• 2508-CTO</li> <li>• 2533-CTO</li> <li>• 1706-CTO, 8Ax for xxU, xxF, xxL, xxP, xxS, xxY, xxG, xxM, xxQ, xxB, xxH, xxC, xxK</li> <li>• 1707-CTO</li> <li>• 1708-CTO</li> <li>• 1709-CTO, 96x, 97x for xxU, xxF, xxL, xxP, xxS, xxY, xxG, xxM, xxQ, xxB, xxH, xxC, xxK</li> <li>• 2509-CTO</li> <li>• 2510-CTO</li> </ul> | 39T0499 | R       | **     |

(continued)

| No. | FRU   | FRU no. | RoHS ID | CRU ID |
|-----|---|---------|---------|--------|
| 16  | ThinkPad 11a/b/g Wireless LAN PCI Express Mini Card<br><br>US/Canada/EU/Latin America/ANZ <ul style="list-style-type: none"> <li>• 1702-CTO for xxU, xxF, xxL, xxP, xxS, xxY, xxG, xxM, xxQ, xxB, xxH, xxC, xxK</li> <li>• 1703-CTO for xxU, xxF, xxL, xxP, xxS, xxY, xxG, xxM, xxQ, xxB, xxH, xxC, xxK</li> <li>• 1704-CTO for xxU, xxF, xxL, xxP, xxS, xxY, xxG, xxM, xxQ, xxB, xxH, xxC, xxK</li> <li>• 1705-CTO for xxU, xxF, xxL, xxP, xxS, xxY, xxG, xxM, xxQ, xxB, xxH, xxC, xxK</li> <li>• 2507-CTO for xxU, xxF, xxL, xxP, xxS, xxY, xxG, xxM, xxQ, xxB, xxH, xxC, xxK</li> <li>• 2508-CTO for xxU, xxF, xxL, xxP, xxS, xxY, xxG, xxM, xxQ, xxB, xxH, xxC, xxK</li> <li>• 1706-CTO, 8Ax, AVx for xxU, xxF, xxL, xxP, xxS, xxY, xxG, xxM, xxQ, xxB, xxH, xxC, xxK</li> <li>• 1707-CTO, 8Ax for xxU, xxF, xxL, xxP, xxS, xxY, xxG, xxM, xxQ, xxB, xxH, xxC, xxK</li> <li>• 1708-CTO, 8Ax for xxU, xxF, xxL, xxP, xxS, xxY, xxG, xxM, xxQ, xxB, xxH, xxC, xxK</li> <li>• 1709-CTO, 8Ax, CGx, CBx, E5x, P7x, Q6x, Q7x, BBx for xxU, xxF, xxL, xxP, xxS, xxY, xxG, xxM, xxQ, xxB, xxH, xxC, xxK</li> <li>• 2509-CTO, 8Ax for xxU, xxF, xxL, xxP, xxS, xxY, xxG, xxM, xxQ, xxB, xxH, xxC, xxK</li> <li>• 2510-CTO, 8Ax for xxU, xxF, xxL, xxP, xxS, xxY, xxG, xxM, xxQ, xxB, xxH, xxC, xxK</li> <li>• 7666-CTO for xxU, xxF, xxL, xxP, xxS, xxY, xxG, xxM, xxA, xxQ, xxB, xxH, xxC</li> <li>• 7667-CTO for xxU, xxF, xxL, xxP, xxS, xxY, xxG, xxM, xxA, xxQ, xxB, xxH, xxC</li> <li>• 7668-CTO for xxU, xxF, xxL, xxP, xxS, xxY, xxG, xxM, xxA, xxQ, xxB, xxH, xxC</li> <li>• 7669-CTO for xxU, xxF, xxL, xxP, xxS, xxY, xxG, xxM, xxA, xxQ, xxB, xxH, xxC</li> <li>• 7670-CTO for xxU, xxF, xxL, xxP, xxS, xxY, xxG, xxM, xxA, xxQ, xxB, xxH, xxC</li> <li>• 7671-CTO for xxU, xxF, xxL, xxP, xxS, xxY, xxG, xxM, xxA, xxQ, xxB, xxH, xxC</li> <li>• 7673-CTO, 4Jx, 23x, 34x, 3Hx, 78x, 37x, 3Jx, 79x, 3Ax, 3Nx, 7Ax, 3Dx, 3Lx, 7Bx, 47x for xxU, xxF, xxL, xxP, xxS, xxY, xxG, xxM, xxA, xxQ, xxB, xxH, xxC</li> <li>• 7674-CTO for xxU, xxF, xxL, xxP, xxS, xxY, xxG, xxM, xxA, xxQ, xxB, xxH, xxC</li> <li>• 7675-CTO for xxU, xxF, xxL, xxP, xxS, xxY, xxG, xxM, xxA, xxQ, xxB, xxH, xxC</li> <li>• 7676-CTO for xxU, xxF, xxL, xxP, xxS, xxY, xxG, xxM, xxA, xxQ, xxB, xxH, xxC</li> <li>• 7678-CTO for xxU, xxF, xxL, xxP, xxS, xxY, xxG, xxM, xxA, xxQ, xxB, xxH, xxC</li> <li>• 7679-CTO for xxU, xxF, xxL, xxP, xxS, xxY, xxG, xxM, xxA, xxQ, xxB, xxH, xxC</li> </ul> | 39T5578 | R       | **     |

(continued)

Parts list

| No. | FRU   | FRU no. | RoHS ID | CRU ID |
|-----|---|---------|---------|--------|
| 16  | ThinkPad 11a/b/g Wireless LAN PCI Express Mini Card   |         |         |        |
|     | Korea <ul style="list-style-type: none"> <li>• 1702-CTO for xxK</li> <li>• 1703-CTO</li> <li>• 1704-CTO</li> <li>• 1705-CTO</li> <li>• 2507-CTO</li> <li>• 2508-CTO</li> <li>• 2533-CTO</li> <li>• 1706-CTO for xxK</li> <li>• 1707-CTO</li> <li>• 1708-CTO</li> <li>• 1709-CTO for xxK</li> <li>• 2509-CTO</li> <li>• 2510-CTO</li> </ul>  | 41W1073 | R       | **     |
|     | Korea <ul style="list-style-type: none"> <li>• 1702-CTO for xxK</li> <li>• 1703-CTO for xxK</li> <li>• 1704-CTO for xxK</li> <li>• 1705-CTO for xxK</li> <li>• 2507-CTO for xxK</li> <li>• 2508-CTO for xxK</li> <li>• 1706-CTO for xxK</li> <li>• 1707-CTO for xxK</li> <li>• 1708-CTO for xxK</li> <li>• 1709-CTO, P7x, Q6x, Q7x, BBx for xxK</li> <li>• 2509-CTO for xxK</li> <li>• 2510-CTO for xxK</li> <li>• 7666-CTO for xxK</li> <li>• 7667-CTO for xxK</li> <li>• 7668-CTO for xxK</li> <li>• 7669-CTO for xxK</li> <li>• 7670-CTO for xxK</li> <li>• 7671-CTO for xxK</li> <li>• 7673-CTO, 4Jx, 23x, 34x, 3Hx, 78x, 37x, 3Jx, 79x, 3Ax, 3Nx, 7Ax, 3Dx, 3Lx, 7Bx, 47x for xxK</li> <li>• 7674-CTO for xxK</li> <li>• 7675-CTO for xxK</li> <li>• 7676-CTO for xxK</li> <li>• 7678-CTO for xxK</li> <li>• 7679-CTO for xxK</li> </ul> | 39T5582 | R       | **     |

(continued)



| No. | FRU   | FRU no. | RoHS ID | CRU ID |
|-----|---|---------|---------|--------|
| 16  | ThinkPad 11a/b/g/n Wireless LAN Mini-PCI Express Adapter  |         |         |        |
|     | US/CAN/EMEA/LA/ANZ/AP <ul style="list-style-type: none"> <li>• 1702-CTO, E4x, H4x</li> <li>• 1703-CTO</li> <li>• 1704-CTO, E9x, G3x, KAx</li> <li>• 1705-CTO</li> <li>• 2507-CTO</li> <li>• 2508-CTO</li> <li>• 1706-CTO, H5x, C8x, Gax, G4x, G5x, G6x, HCx</li> <li>• 1707-CTO</li> <li>• 1708-CTO, QHx</li> <li>• 1709-CTO, C8x, G8x</li> <li>• 2509-CTO</li> <li>• 2510-CTO</li> </ul> | 42T0825 | R       | **     |
|     | JP <ul style="list-style-type: none"> <li>• 1702-CTO, 7Fx, 7Gx</li> <li>• 1703-CTO</li> <li>• 1704-CTO, KAx</li> <li>• 1705-CTO, 7Fx, 7Gx</li> <li>• 2507-CTO</li> <li>• 2508-CTO</li> <li>• 1706-CTO, Gex, GDx</li> <li>• 1707-CTO</li> <li>• 1708-CTO, QHx</li> <li>• 1709-CTO, GDx, GEx</li> <li>• 2509-CTO</li> <li>• 2510-CTO</li> </ul>   | 42T0827 | R       | **     |
|     | Taiwan <ul style="list-style-type: none"> <li>• 1702-CTO</li> <li>• 1703-CTO</li> <li>• 1704-CTO, KAx</li> <li>• 1705-CTO</li> <li>• 2507-CTO</li> <li>• 2508-CTO</li> <li>• 1706-CTO, CCx, GAx</li> <li>• 1707-CTO</li> <li>• 1708-CTO, QHx</li> <li>• 1709-CTO</li> <li>• 2509-CTO</li> <li>• 2510-CTO</li> </ul>   | 42T0829 | R       | **     |
|     | b/g <ul style="list-style-type: none"> <li>• 1702-CTO</li> <li>• 1703-CTO</li> <li>• 1704-CTO, KAx</li> <li>• 1705-CTO</li> <li>• 2507-CTO</li> <li>• 2508-CTO</li> <li>• 1706-CTO</li> <li>• 1707-CTO</li> <li>• 1708-CTO, QHx</li> <li>• 1709-CTO</li> <li>• 2509-CTO</li> <li>• 2510-CTO</li> </ul>  | 42T0833 | R       | **     |

(continued)

Parts list

| No. | FRU   | FRU no. | RoHS ID | CRU ID |
|-----|---|---------|---------|--------|
| 16  | <p>Intel Wireless WiFi Link 4965AGN</p> <p>(US/CAN/LA/AP)</p> <ul style="list-style-type: none"> <li>• 7666-CTO, 3Ax, 84x, 53x, 54x, 55x, 4Mx for xxU, xxF, xxL, xxP, xxS, xxY, xxM, xxA, xxQ, xxB, xxH, xxV</li> <li>• 7667-CTO for xxU, xxF, xxL, xxP, xxS, xxY, xxM, xxA, xxQ, xxB, xxH, xxV</li> <li>• 7668-CTO, 79x, 7Ax, 7Bx, 7Cx, 87x for xxU, xxF, xxL, xxP, xxS, xxY, xxM, xxA, xxQ, xxB, xxH, xxV</li> <li>• 7669-CTO, 35x, 46x for xxU, xxF, xxL, xxP, xxS, xxY, xxM, xxA, xxQ, xxB, xxH, xxV</li> <li>• 7670-CTO for xxU, xxF, xxL, xxP, xxS, xxY, xxM, xxA, xxQ, xxB, xxH, xxV</li> <li>• 7671-CTO for xxU, xxF, xxL, xxP, xxS, xxY, xxM, xxA, xxQ, xxB, xxH, xxV</li> <li>• 7673-CTO, 75x, 45x, 46x, 7Cx, 7Dx, 25x, 44x, 76x, 73x, 7Hx, 7Jx for xxU, xxF, xxL, xxP, xxS, xxY, xxM, xxA, xxQ, xxB, xxH, xxV</li> <li>• 7674-CTO for xxU, xxF, xxL, xxP, xxS, xxY, xxM, xxA, xxQ, xxB, xxH, xxV</li> <li>• 7675-CTO, 35x, 49x, 38x, 4Ax, 3Bx, 4Bx, 3Ex, 4Cx, 28x, 4Ex, 75x, 7Fx, 7Kx for xxU, xxF, xxL, xxP, xxS, xxY, xxM, xxA, xxQ, xxB, xxH, xxV</li> <li>• 7676-CTO, 35x, 4Fx, 3Lx, 3Px, 5Cx for xxU, xxF, xxL, xxP, xxS, xxY, xxM, xxA, xxQ, xxB, xxH, xxV</li> <li>• 7678-CTO for xxU, xxF, xxL, xxP, xxS, xxY, xxM, xxA, xxQ, xxB, xxH, xxV</li> <li>• 7679-CTO for xxU, xxF, xxL, xxP, xxS, xxY, xxM, xxA, xxQ, xxB, xxH, xxV</li> </ul> <p>(EMEA)</p> <ul style="list-style-type: none"> <li>• 7666-CTO, 3Ax, 84x, 53x, 54x, 55x, 4Mx for xxG</li> <li>• 7667-CTO for xxG</li> <li>• 7668-CTO, 79x, 7Ax, 7Bx, 7Cx, 87x for xxG</li> <li>• 7669-CTO, 35x, 46x for xxG</li> <li>• 7670-CTO for xxG</li> <li>• 7671-CTO for xxG</li> <li>• 7673-CTO, 75x, 45x, 46x, 7Cx, 7Dx, 25x, 44x, 76x, 73x, 7Hx, 7Jx for xxG</li> <li>• 7674-CTO for xxG</li> <li>• 7675-CTO, 35x, 49x, 38x, 4Ax, 3Bx, 4Bx, 3Ex, 4Cx, 28x, 4Ex, 75x, 7Fx, 7Kx for xxG</li> <li>• 7676-CTO, 35x, 4Fx, 3Lx, 3Px, 5Cx for xxG</li> <li>• 7678-CTO for xxG</li> <li>• 7679-CTO for xxG</li> </ul> | 42T0865 | R       | **     |

(continued)

| No. | FRU   | FRU no. | RoHS ID | CRU ID |
|-----|---|---------|---------|--------|
| 16  | Intel Wireless WiFi Link 4965AGN  |         |         |        |
|     | (China)<br><ul style="list-style-type: none"> <li>• 7666-CTO, 3Ax, 84x, 53x, 54x, 55x, 4Mx for xxC</li> <li>• 7667-CTO for xxC</li> <li>• 7668-CTO, 79x, 7Ax, 7Bx, 7Cx, 87x for xxC</li> <li>• 7669-CTO, 35x, 46x for xxC</li> <li>• 7670-CTO for xxC</li> <li>• 7671-CTO for xxC</li> <li>• 7673-CTO, 75x, 45x, 46x, 7Cx, 7Dx, 25x, 44x, 76x, 73x, 7Hx, 7Jx for xxC</li> <li>• 7674-CTO for xxC</li> <li>• 7675-CTO, 35x, 49x, 38x, 4Ax, 3Bx, 4Bx, 3Ex, 4Cx, 28x, 4Ex, 75x, 7Fx, 7Kx for xxC</li> <li>• 7676-CTO, 35x, 4Fx, 3Lx, 3Px, 5Cx for xxC</li> <li>• 7678-CTO for xxC</li> <li>• 7679-CTO for xxC</li> </ul> | 42T0869 | R       | **     |
|     | (Japan)<br><ul style="list-style-type: none"> <li>• 7666-CTO, 3Ax, 84x, 53x, 54x, 55x, 4Mx for xxJ</li> <li>• 7667-CTO for xxJ</li> <li>• 7668-CTO, 79x, 7Ax, 7Bx, 7Cx, 87x for xxJ</li> <li>• 7669-CTO, 35x, 46x for xxJ</li> <li>• 7670-CTO for xxJ</li> <li>• 7671-CTO for xxJ</li> <li>• 7673-CTO, 75x, 45x, 46x, 7Cx, 7Dx, 25x, 44x, 76x, 73x, 7Hx, 7Jx for xxJ</li> <li>• 7674-CTO for xxJ</li> <li>• 7675-CTO, 35x, 49x, 38x, 4Ax, 3Bx, 4Bx, 3Ex, 4Cx, 28x, 4Ex, 75x, 7Fx, 7Kx for xxJ</li> <li>• 7676-CTO, 35x, 4Fx, 3Lx, 3Px, 5Cx for xxJ</li> <li>• 7678-CTO for xxJ</li> <li>• 7679-CTO for xxJ</li> </ul> | 42T0871 | R       | **     |
|     | (Korea)   | 42T0905 | R       | **     |

(continued)

Parts list

| No. | FRU  | FRU no. | RoHS ID | CRU ID |
|-----|--|---------|---------|--------|
| 16  | Intel Wireless WiFi Link 4965AGN   |         |         |        |
|     | 11n disabled (US/CAN/LA/AP) <ul style="list-style-type: none"> <li>• 7666-CTO, 34x, 36x, 3Fx, 3Ex for xxU, xxF, xxL, xxP, xxS, xxY, xxM, xxA, xxQ, xxB, xxH, xxV</li> <li>• 7667-CTO, 34x, 36x, 3Fx, 3Ex for xxU, xxF, xxL, xxP, xxS, xxY, xxM, xxA, xxQ, xxB, xxH, xxV</li> <li>• 7668-CTO for xxU, xxF, xxL, xxP, xxS, xxY, xxM, xxA, xxQ, xxB, xxH, xxV</li> <li>• 7669-CTO for xxU, xxF, xxL, xxP, xxS, xxY, xxM, xxA, xxQ, xxB, xxH, xxV</li> <li>• 7670-CTO for xxU, xxF, xxL, xxP, xxS, xxY, xxM, xxA, xxQ, xxB, xxH, xxV</li> <li>• 7671-CTO for xxU, xxF, xxL, xxP, xxS, xxY, xxM, xxA, xxQ, xxB, xxH, xxV</li> <li>• 7673-CTO, 65x, 74x, 66x, 4Nx for xxU, xxF, xxL, xxP, xxS, xxY, xxM, xxA, xxQ, xxB, xxH, xxV</li> <li>• 7674-CTO, 65x, 74x, 66x, 4Nx for xxU, xxF, xxL, xxP, xxS, xxY, xxM, xxA, xxQ, xxB, xxH, xxV</li> <li>• 7675-CTO for xxU, xxF, xxL, xxP, xxS, xxY, xxM, xxA, xxQ, xxB, xxH, xxV</li> <li>• 7676-CTO for xxU, xxF, xxL, xxP, xxS, xxY, xxM, xxA, xxQ, xxB, xxH, xxV</li> <li>• 7678-CTO for xxU, xxF, xxL, xxP, xxS, xxY, xxM, xxA, xxQ, xxB, xxH, xxV</li> <li>• 7679-CTO for xxU, xxF, xxL, xxP, xxS, xxY, xxM, xxA, xxQ, xxB, xxH, xxV</li> </ul> | 42T0873 | R       | **     |
|     | 11n disabled (EMEA) <ul style="list-style-type: none"> <li>• 7666-CTO, 34x, 36x, 3Fx, 3Ex for xxG</li> <li>• 7667-CTO, 34x, 36x, 3Fx, 3Ex for xxG</li> <li>• 7668-CTO for xxG</li> <li>• 7669-CTO for xxG</li> <li>• 7670-CTO for xxG</li> <li>• 7671-CTO for xxG</li> <li>• 7673-CTO, 65x, 74x, 66x, 4Nx for xxG</li> <li>• 7674-CTO, 65x, 74x, 66x, 4Nx for xxG</li> <li>• 7675-CTO for xxG</li> <li>• 7676-CTO for xxG</li> <li>• 7678-CTO for xxG</li> <li>• 7679-CTO for xxG</li> </ul>   | 42T0875 | R       | **     |

(continued)

| No.   | FRU   | FRU no. | RoHS ID | CRU ID |
|---|---|---------|---------|--------|
| 16  | Intel Wireless WiFi Link 4965AGN  |         |         |        |
|   | 11n disabled (China/Korea) <ul style="list-style-type: none"> <li>• 7666-CTO, 3Ax, 84x, 53x, 54x, 55x, 34x, 36x, 3Fx, 3Ex for xxC, xxK</li> <li>• 7667-CTO, 34x, 36x, 3Fx, 3Ex for xxC, xxK</li> <li>• 7668-CTO, 79x, 7Ax, 7Bx, 7Cx, 87x for xxC, xxK</li> <li>• 7669-CTO, 35x, 3Bx, 46x, 48x for xxC, xxK</li> <li>• 7670-CTO for xxC, xxK</li> <li>• 7671-CTO for xxC, xxK</li> <li>• 7673-CTO, 65x, 74x, 66x, 4Nx for xxC, xxK</li> <li>• 7674-CTO, 65x, 74x, 66x, 4Nx for xxC, xxK</li> <li>• 7675-CTO for xxC, xxK</li> <li>• 7676-CTO for xxC, xxK</li> <li>• 7678-CTO for xxC, xxK</li> <li>• 7679-CTO for xxC, xxK</li> </ul> | 42T0877 | R       | **     |
|   | 11n disabled (Japan) <ul style="list-style-type: none"> <li>• 7666-CTO, 3Ax, 84x, 53x, 54x, 55x, 34x, 36x, 3Fx, 3Ex for xxJ, xxE</li> <li>• 7667-CTO, 34x, 36x, 3Fx, 3Ex for xxJ, xxE</li> <li>• 7668-CTO, 79x, 7Ax, 7Bx, 7Cx, 87x for xxJ, xxE</li> <li>• 7669-CTO, 35x, 3Bx, 46x, 48x for xxJ, xxE</li> <li>• 7670-CTO for xxJ, xxE</li> <li>• 7671-CTO for xxJ, xxE</li> <li>• 7673-CTO, 65x, 74x, 66x, 4Nx for xxJ, xxE</li> <li>• 7674-CTO, 65x, 74x, 66x, 4Nx for xxJ, xxE</li> <li>• 7675-CTO for xxJ, xxE</li> <li>• 7676-CTO for xxJ, xxE</li> <li>• 7678-CTO for xxJ, xxE</li> <li>• 7679-CTO for xxJ, xxE</li> </ul>       | 42T0879 | R       | **     |
| ThinkPad 11b/g Wireless LAN Mini-PCI Express Adapter II | 42T0917   | R       | **      |        |

(continued)

Parts list

| No.  | FRU   | FRU no. | RoHS ID | CRU ID |
|--|---|---------|---------|--------|
| 17   | ThinkPad Modem (MDC-1.5)                        | 39T0495 | R       | **     |
| 18   | Lower case assembly with label, X60s (M/T 1702) | 41V9727 | R       | N      |
|  | Lower case assembly with label, X60s (M/T 1702) | 42W2657 | R       | N      |
|  | Lower case assembly with label, X60s (M/T 1703) | 41V9728 | R       | N      |
|  | Lower case assembly with label, X60s (M/T 1703) | 42W2658 | R       | N      |
|  | Lower case assembly with label, X60s (M/T 1704) | 41V9729 | R       | N      |
|  | Lower case assembly with label, X60s (M/T 1704) | 42W2659 | R       | N      |
|  | Lower case assembly with label, X60s (M/T 1705) | 41V9730 | R       | N      |
|  | Lower case assembly with label, X60s (M/T 1705) | 42W2660 | R       | N      |
|  | Lower case assembly with label, X60s (M/T 2507) | 41V9731 | R       | N      |
|  | Lower case assembly with label, X60s (M/T 2507) | 42W2661 | R       | N      |
|  | Lower case assembly with label, X60s (M/T 2508) | 41V9732 | R       | N      |
|  | Lower case assembly with label, X60s (M/T 2508) | 42W2662 | R       | N      |
|  | Lower case assembly with label, X60s (M/T 2533) | 41V9733 | R       | N      |
|  | Lower case assembly with label, X60 (M/T 1706)  | 41V9734 | R       | N      |
|  | Lower case assembly with label, X60 (M/T 1706)  | 42W2664 | R       | N      |
|  | Lower case assembly with label, X60 (M/T 1707)  | 41V9735 | R       | N      |
|  | Lower case assembly with label, X60 (M/T 1707)  | 42W2665 | R       | N      |
|  | Lower case assembly with label, X60 (M/T 1708)  | 41V9736 | R       | N      |
|  | Lower case assembly with label, X60 (M/T 1708)  | 42W2666 | R       | N      |
|  | Lower case assembly with label, X60 (M/T 1709)  | 41V9737 | R       | N      |
|  | Lower case assembly with label, X60 (M/T 1709)  | 42W2667 | R       | N      |
|  | Lower case assembly with label, X60 (M/T 2509)  | 41V9738 | R       | N      |
|  | Lower case assembly with label, X60 (M/T 2509)  | 42W2668 | R       | N      |
| Lower case assembly with label, X60 (M/T 2510) | 41V9739   | R       | N       |        |
| Lower case assembly with label, X60 (M/T 2510) | 42W2669   | R       | N       |        |

(continued)

| No. | FRU   | FRU no. | RoHS ID | CRU ID |
|-----|---|---------|---------|--------|
| 18  | Lower case assembly with label, X61s (M/T 7666)   | 42X3810 | R       | N      |
|     | Lower case assembly with label, X61s (M/T 7667)   | 42X3811 | R       | N      |
|     | Lower case assembly with label, X61s (M/T 7668)   | 42X3812 | R       | N      |
|     | Lower case assembly with label, X61s (M/T 7669)   | 42X3813 | R       | N      |
|     | Lower case assembly with label, X61s (M/T 7670)   | 42X3814 | R       | N      |
|     | Lower case assembly with label, X61s (M/T 7671)   | 42X3815 | R       | N      |
|     | Lower case assembly with label, X61 (M/T 7673)  | 42X3816 | R       | N      |
|     | Lower case assembly with label, X61 (M/T 7674)  | 42X3817 | R       | N      |
|     | Lower case assembly with label, X61 (M/T 7675)  | 42X3818 | R       | N      |
|     | Lower case assembly with label, X61 (M/T 7676)  | 42X3819 | R       | N      |
|     | Lower case assembly with label, X61 (M/T 7678)  | 42X3820 | R       | N      |
|     | Lower case assembly with label, X61 (M/T 7679)  | 42X3821 | R       | N      |
| 19  | DIMM door kit   | 41W4579 | R       | *      |
| 20  | 256-MB DDR2-533 SDRAM SO-DIMM (PC2-4200) card<br><b>OP</b><br><ul style="list-style-type: none"> <li>• 1702-23x, 35x, 36x, 3Ax, 3Cx, 3Dx, 3Ex, 3Fx, 3Gx, 3Mx, 3Nx, 46x, 47x, 4Bx, 4Lx, 83x, 84x, 85x</li> <li>• 1704-3Dx</li> <li>• 1705-3Gx, 85x</li> <li>• 2507-3Bx</li> <li>• 2508-3Bx</li> <li>• 2533-A4x, A5x, B4x</li> <li>• 1706-25x, 26x, 33x, 44x, 46x, 55x, 56x, 58x, 59x, 5Ax, 5Bx, 5Fx, 5Gx, 5Hx, 77x, 78x, 7Cx</li> <li>• 1709-59x, 5Ax</li> <li>• 2509-57x</li> <li>• 2510-57x</li> </ul> | 40Y8401 | R       | *      |

(continued)

Parts list

| No. | FRU  | FRU no. | RoHS ID | CRU ID |
|-----|--|---------|---------|--------|
| 20  | <p>512-MB DDR2-667 SDRAM SO-DIMM (PC2-5300) card</p> <p><b>OP</b></p> <ul style="list-style-type: none"> <li>• 1702-24x, 25x, 26x, 37x, 38x, 39x, 3Hx, 3Jx, 3Kx, 3Lx, 3Qx, 3Rx, 3Sx, 45x, 49x, 4Ax, 4Ex, 4Fx, 4Gx, 4Kx, 53x, 55x, 57x, 58x, 5Cx, 5Dx, 5Ex, 5Fx, 5Jx, 5Kx, 5Sx, 5Tx, 63x, 64x, 6Bx, 73x, 74x, 75x, 76x, 7Ax, 7Bx, 86x, 87x, 94x, 95x, 96x, 97x, 98x, 99x, C4x, C5x, C6x, C7x</li> <li>• 1703-37x, 3Jx, 3Qx</li> <li>• 1704-3Qx, 3Tx, 4Cx, 4Dx, 4Jx, 56x, 5Bx, 5Lx, 63x, 66x, 6Ax</li> <li>• 1705-24x, 3Px, 3Qx, 3Ux, 48x, 4Cx, 53x, 54x, 59x, 5Ax, 5Dx, 5Ex, 5Hx</li> <li>• 2533-B5x</li> <li>• 1706-34x, 47x, 48x, 49x, 4Ax, 4Bx, 4Cx, 5Cx, 5Dx, 5Kx, 5Lx, 5Px, 63x, 64x, 65x, 66x, 67x, 68x, 69x, 6Ax, 6Bx, 6Cx, 75x, 76x, 7Ax, 7Bx, 7Ex, 7Fx, 7Gx, 84x, 85x, 86x, 87x, 88x, 89x, 8Ax, 8Dx, 8Ex, 93x</li> <li>• 1707-5Dx, 5Kx</li> <li>• 1708-5Kx, 5Mx, 7Dx, 86x, 8Cx, 95x</li> <li>• 1709-24x, 45x, 47x, 5Ex, 5Jx, 5Lx, 5Nx, 79x, 7Dx, 7Hx, 83x, 84x, 85x, 86x, 89x, 8Cx, 96x</li> <li>• 7666-All</li> <li>• 7667-All</li> <li>• 7668-All</li> <li>• 7669-All</li> <li>• 7670-All</li> <li>• 7671-All</li> <li>• 7673-All</li> <li>• 7674-All</li> <li>• 7675-All</li> <li>• 7676-All</li> <li>• 7678-All</li> <li>• 7679-All</li> </ul> | 40Y8402 | R       | *      |
|     | <p>1-GB DDR2-667 SDRAM SO-DIMM (PC2-5300) card</p> <p><b>OP</b></p> <ul style="list-style-type: none"> <li>• 1702-4Hx, 5Gx, 5Mx, 5Nx, 5Px, 5Qx, 5Rx, 65x, 68x, 6Cx, 77x, 78x</li> <li>• 1704-69x</li> <li>• 1706-8Bx, 8Fx, 8Gx, 8Hx, 8Jx, 94x</li> <li>• 1709-97x</li> <li>• 7666-All</li> <li>• 7667-All</li> <li>• 7668-All</li> <li>• 7669-All</li> <li>• 7670-All</li> <li>• 7671-All</li> <li>• 7673-All</li> <li>• 7674-All</li> <li>• 7675-All</li> <li>• 7676-All</li> <li>• 7678-All</li> <li>• 7679-All</li> </ul>   | 40Y8403 | R       | *      |

(continued)



| No. | FRU  | FRU no. | RoHS ID | CRU ID |
|-----|--|---------|---------|--------|
| 20  | 2-GB DDR2-667 SDRAM SO-DIMM (PC2-5300) card<br><b>OP</b><br><ul style="list-style-type: none"> <li>• 7666-All</li> <li>• 7667-All</li> <li>• 7668-All</li> <li>• 7669-All</li> <li>• 7670-All</li> <li>• 7671-All</li> <li>• 7673-All</li> <li>• 7674-All</li> <li>• 7675-All</li> <li>• 7676-All</li> <li>• 7678-All</li> <li>• 7679-All</li> </ul>   | 40Y8404 | R       | *      |
|     | 2-GB DDR2-533 SDRAM SO-DIMM (PC2-4200) card<br><b>OP</b>   | 73P3847 | R       | *      |
| 21  | Second fan<br><ul style="list-style-type: none"> <li>• 7666-CTO, 47x, 43x, 93x, 94x</li> <li>• 7667-CTO</li> <li>• 7668-CTO, 44x, 93x, 94x</li> <li>• 7669-CTO, 45x, 49x, 4Ax</li> <li>• 7670-CTO</li> <li>• 7671-CTO</li> <li>• 7673-CTO, 53x, 54x, 74x, 78x, 79x, 7Ax, 7Gx, 7Bx, 75x, 7Cx, 7Dx, 76x, 7Ex, 73x, 7Hx, 7Jx, 5Bx</li> <li>• 7674-CTO, 74x</li> <li>• 7675-55x, 59x, 75x, 7Fx, 7Kx, 5Ax, 5Bx</li> <li>• 7676-56x, 57x, 58x, 5Cx</li> <li>• 7678-CTO</li> </ul>  | 42X3806 | R       | N      |
| 22  | Speaker kit  | 39T7306 | R       | N      |
|     | Speaker kit  | 42X3807 | R       | N      |
| 23  | Planar Intel Core Solo processor U1300 (1.06GHz) Ultra low voltage<br><ul style="list-style-type: none"> <li>• 1702-CTO, 83x, 84x, 85x, 86x, 87x, 93x, 95x, 96x, 97x, 99x</li> <li>• 1703-CTO</li> <li>• 1704-CTO</li> <li>• 1705-CTO, 85x</li> <li>• 2507-CTO</li> <li>• 2508-CTO</li> <li>• 2533-CTO, B3x, B4x, B5x</li> <li>• 1702-CTO, 88x</li> <li>• 1703-CTO</li> <li>• 1704-CTO</li> <li>• 1705-CTO, 89x, B6x, B7x</li> <li>• 2507-CTO</li> <li>• 2508-CTO</li> </ul> | 42T0017 | R       | N      |

(continued)

Parts list

| No. | FRU  | FRU no. | RoHS ID | CRU ID |
|-----|--|---------|---------|--------|
| 23  | Planar Intel Core Duo processor L2400 (1.67GHz) Low voltage<br><ul style="list-style-type: none"> <li>• 1702-CTO, 34x, 79x, 3Jx, 3Lx, 3Qx, 37x, 3Hx, 3Dx, 3Ex, 3Cx, 74x, 94x, 76x, 3Gx, 3Mx, 3Nx, 3Ax, 98x, 36x, 3Fx, 38x, 35x, 3Rx, 3Kx, 75x, 77x, 78x, 39x, 53x, 73x, 7Ax, 7Bx</li> <li>• 1703-CTO, 37x, 3Jx, 3Qx</li> <li>• 1704-CTO, 33x, 34x, 3Qx, 3Tx, 3Dx, 7Mx</li> <li>• 1705-CTO, 33x, 34x, 3Qx, 3Ux, 3Gx, 3Px, 53x, 7Kx, 7Lx, K7x</li> <li>• 2507-CTO, 3Bx</li> <li>• 2508-CTO, 3Bx</li> <li>• 2533-CTO</li> <li>• 1702-CTO, 3Wx, 7Cx, 7Dx, 7Fx, 7Ex, 7Gx, K4x, K5x, K6x</li> <li>• 1703-CTO, 3Wx</li> <li>• 1704-CTO, 3Yx</li> <li>• 1705-CTO, 3Xx, 7Dx, 7Fx, 7Ex, 7Gx</li> <li>• 2507-CTO</li> <li>• 2508-CTO</li> </ul> | 42T0019 | R       | N      |
|     | Planar Intel Core Duo processor L2400 (1.67GHz) Low voltage with WWAN<br><ul style="list-style-type: none"> <li>• 1702-CTO, 68x, 63x</li> <li>• 1703-CTO</li> <li>• 1704-CTO, 63x, 69x, 66x</li> <li>• 1705-CTO</li> <li>• 2507-CTO</li> <li>• 2508-CTO</li> <li>• 2533-CTO</li> </ul>   | 42T0021 | R       | N      |
|     | Planar Intel Core Duo processor L2300 (1.5GHz) Low voltage<br><ul style="list-style-type: none"> <li>• 1702-CTO, C3x, 24x, C4x, C5x, C6x, C7x, 23x, 25x, 26x</li> <li>• 1703-CTO</li> <li>• 1704-CTO</li> <li>• 1705-CTO, 24x</li> <li>• 2507-CTO</li> <li>• 2508-CTO</li> <li>• 2533-CTO, A3x, A5x, A4x</li> </ul>  | 42T0023 | R       | N      |
|     | Planar Intel Core Duo processor L2500 (1.83GHz) Low voltage<br><ul style="list-style-type: none"> <li>• 1702-CTO, HFx, D5x, D6x, D8x, E7x, E8x, HCx, EHx, E3x, E4x, H7x, H4x, H8x, H9x, H5x, H6x, E5x, EEx, HAx, HDx, HEx, E6x, ELx, HGx, DCx, ENx, EPx</li> <li>• 1703-CTO, D6x, D8x, E7x</li> <li>• 1704-CTO, D3x, EAx, ECx, EFx, EGx, E9x, EBx, EKx, EMx, J8x</li> <li>• 1705-CTO, D3x, Dbx, EJx, D7x, D9x, Dax, HBx, H3x, HHx, EKx</li> <li>• 2507-CTO, D4x</li> <li>• 2508-CTO</li> </ul>   | 42R9869 | R       | N      |

(continued)

| No. | FRU   | FRU no. | RoHS ID | CRU ID |
|-----|---|---------|---------|--------|
| 23  | Planar Intel Core Duo processor L2500 (1.83GHz) with WWAN <ul style="list-style-type: none"> <li>• 1702-CTO, F3x, F6x, F9x</li> <li>• 1703-CTO</li> <li>• 1704-CTO, G3x, F4x, F5x, F8x, FAx</li> <li>• 1705-CTO</li> <li>• 2507-CTO, D4x</li> <li>• 2508-CTO</li> </ul>   | 42R9870 | R       | N      |
|     | Planar Intel Core Solo processor T1300 (1.67GHz) Standard voltage <ul style="list-style-type: none"> <li>• 1706-CTO, 23x, 26x, 25x, 33x, 34x, 27x, 28x</li> <li>• 1707-CTO</li> <li>• 1708-CTO</li> <li>• 1709-CTO, 24x</li> <li>• 2509-CTO</li> <li>• 2510-CTO</li> </ul>  | 42T0025 | R       | N      |
|     | Planar Intel Core Duo processor T2300 (1.67GHz) Standard voltage <ul style="list-style-type: none"> <li>• 1706-CTO, 43x, 4Bx, 4Cx, 46x, 49x, 4Ax, 48x, 44x, 47x, 4Dx, 4Ex</li> <li>• 1707-CTO</li> <li>• 1708-CTO</li> <li>• 1709-CTO, 97x, 47x, 45x</li> <li>• 2509-CTO</li> <li>• 2510-CTO</li> </ul>   | 42T0027 | R       | N      |
|     | Planar Intel Core Duo processor T2300E (1.67GHz) Standard voltage with 2x2 <ul style="list-style-type: none"> <li>• 1706-CTO, A3x, AFx, AGx, ABx, ACx, A6x, A9x, AAx, A8x, A4x, APx, A7x, AEx, AHx, AJx, AKx, ALx</li> <li>• 1707-CTO</li> <li>• 1708-CTO</li> <li>• 1709-CTO, AMx, ANx, AQx, A7x, APx</li> <li>• 2509-CTO</li> <li>• 2510-CTO</li> <li>• 1708-AWx</li> </ul>   | 41W6691 | R       | N      |
|     | Planar Intel Core Duo processor T2400 (1.83GHz) Standard voltage <ul style="list-style-type: none"> <li>• 1706-CTO, 54x, 5Dx, 5Kx, 5Cx, 5Px, 63x, 64x, 59x, 5Ax, 58x, 69x, 6Bx, 5Bx, 5Fx, 5Gx, 56x, 55x, 5Lx</li> <li>• 1707-CTO, 5Dx, 5Kx</li> <li>• 1708-CTO, 53x, 54x, 5Kx, 5Mx</li> <li>• 1709-CTO, 53x, 54x, 59x, 5Lx, 5Nx, 5Ax, 5Jx, 5Ex</li> <li>• 2509-CTO, 57x</li> <li>• 2510-CTO, 57x</li> <li>• 1706-CTO, 54x, 5Yx, 5Vx, 5Tx, 5Ux, 5Qx, 5Rx</li> <li>• 1707-CTO, 5Vx</li> <li>• 1708-CTO</li> <li>• 1709-CTO, 5Wx, 5Xx, 5Sx, 5Tx, 5Ux, 54x</li> <li>• 2509-CTO</li> <li>• 2510-CTO</li> </ul> | 42T0029 | R       | N      |

(continued)

Parts list

| No. | FRU   | FRU no. | RoHS ID | CRU ID |
|-----|---|---------|---------|--------|
| 23  | Planar Intel Core Duo processor T2400 (1.83GHz)<br>Standard voltage with WWAN<br><ul style="list-style-type: none"> <li>• 1706-CTO, 93x, 94x, 95x, 6Dx</li> <li>• 1707-CTO</li> <li>• 1708-CTO</li> <li>• 1709-CTO, 96x</li> <li>• 2509-CTO</li> <li>• 2510-CTO</li> </ul>  | 42T0031 | R       | N      |
|     | Planar Intel Core Duo processor T2500 (2.00GHz)<br>Standard voltage<br><ul style="list-style-type: none"> <li>• 1706-CTO, B5x, C9x, CEx, B8x, C5x, CCx, C6x, C7x, CDx, CFx</li> <li>• 1707-CTO, B5x, C9x, B8x</li> <li>• 1708-CTO, B7x</li> <li>• 1709-CTO, CGx, CBx, C6x, C4x, B6x, CAx, B9x, B3x, C3x, C8x</li> <li>• 2509-CTO, B4x</li> <li>• 2510-CTO, B4x</li> <li>• 1706-CTO, BAx, CHx, CJx</li> <li>• 1707-CTO</li> <li>• 1708-CTO</li> <li>• 1709-CTO, BBx</li> <li>• 2509-CTO</li> <li>• 2510-CTO</li> </ul> | 42R9871 | R       | N      |
|     | Planar Intel Core Duo processor T2500 (2.00GHz)<br>Standard voltage with WWAN<br><ul style="list-style-type: none"> <li>• 1706-CTO, E3x, E5x</li> <li>• 1707-CTO</li> <li>• 1708-CTO, E4x</li> <li>• 1709-CTO, E5x</li> <li>• 2509-CTO</li> <li>• 2510-CTO</li> </ul>   | 42R9872 | R       | N      |
|     | Planar Intel Core 2 Duo processor T7200 (2.00GHz)<br>Standard voltage with 2x3, BT<br><ul style="list-style-type: none"> <li>• 1706-CTO, GAx, G4x, GDx, GEx, G5x, G6x, GBx, GCx, G7x, QFx, QDx, QAx, Q5x, QBx, Q9x, QEx</li> <li>• 1707-CTO</li> <li>• 1708-CTO, Q8x, Q9x</li> <li>• 1709-CTO, G3x, G8x, G9x, GDx, GEx, Q4x, Q6x, Q7x, QCx</li> <li>• 2509-CTO</li> <li>• 2510-CTO</li> </ul>   | 42R9873 | R       | N      |
|     | Planar Intel Core 2 Duo processor T7200 (2.00GHz)<br>Standard voltage with WWAN<br><ul style="list-style-type: none"> <li>• 1706-CTO, H5x, HCx</li> <li>• 1707-CTO</li> <li>• 1708-CTO, HBx</li> <li>• 1709-CTO, H3x, H6x, HDx, HAx</li> <li>• 2509-CTO</li> <li>• 2510-CTO</li> </ul>  | 42R9874 | R       | N      |

(continued)

| No. | FRU  | FRU no. | RoHS ID | CRU ID |
|-----|--|---------|---------|--------|
| 23  | Planar Intel Core 2 Duo processor T5500 (1.66GHz)<br>Standard voltage<br><ul style="list-style-type: none"> <li>• 1706-CTO</li> <li>• 1707-CTO</li> <li>• 1708-CTO</li> <li>• 1709-CTO</li> <li>• 2509-CTO</li> <li>• 2510-CTO</li> <li>• 1706-CTO, KKx, KHx</li> <li>• 1707-CTO</li> <li>• 1708-CTO</li> <li>• 1709-CTO, KHx, KJx</li> <li>• 2509-CTO</li> <li>• 2510-CTO</li> </ul>                          | 42R9918 | R       | N      |
|     | Planar Intel Core 2 Duo processor T5600 (1.83GHz)<br>Standard voltage<br><ul style="list-style-type: none"> <li>• 1706-CTO</li> <li>• 1707-CTO</li> <li>• 1708-CTO</li> <li>• 1709-CTO</li> <li>• 2509-CTO</li> <li>• 2510-CTO</li> <li>• 1706-CTO, P4x, PFx, P9x, PDx, P5x, P6x</li> <li>• 1707-CTO</li> <li>• 1708-CTO, PBx, PCx, P8x</li> <li>• 1709-CTO</li> <li>• 2509-CTO</li> <li>• 2510-CTO</li> </ul> | 42R9919 | R       | N      |
|     | Planar Intel Core 2 Duo processor L7400 (1.50GHz) Low<br>voltage OA2<br><ul style="list-style-type: none"> <li>• 1702-CTO</li> <li>• 1703-CTO</li> <li>• 1704-CTO</li> <li>• 1705-CTO</li> <li>• 2507-CTO</li> <li>• 2508-CTO</li> </ul>   | 42W7799 | R       | N      |
|     | Planar Intel Core 2 Duo processor L7400 (1.50GHz) Low<br>voltage OA2 with WWAN<br><ul style="list-style-type: none"> <li>• 1702-CTO</li> <li>• 1703-CTO</li> <li>• 1704-CTO</li> <li>• 1705-CTO</li> <li>• 2507-CTO</li> <li>• 2508-CTO</li> </ul>   | 42W7801 | R       | N      |

(continued)

Parts list

| No. | FRU   | FRU no. | RoHS ID | CRU ID |
|-----|---|---------|---------|--------|
| 23  | Planar Intel Core Solo processor U1300 (1.06GHz) Ultra low voltage OA2<br><ul style="list-style-type: none"> <li>• 1702-CTO</li> <li>• 1703-CTO</li> <li>• 1704-CTO</li> <li>• 1705-CTO</li> <li>• 2507-CTO</li> <li>• 2508-CTO</li> </ul>  | 42W7679 | R       | N      |
|     | Planar Intel Core Duo processor L2300 (1.50GHz) Low voltage OA2<br><ul style="list-style-type: none"> <li>• 1702-CTO</li> <li>• 1703-CTO</li> <li>• 1704-CTO</li> <li>• 1705-CTO</li> <li>• 2507-CTO</li> <li>• 2508-CTO</li> </ul>   | 42W7756 | R       | N      |
|     | Planar Intel Core Duo processor L2400 (1.66GHz) Low voltage OA2<br><ul style="list-style-type: none"> <li>• 1702-CTO</li> <li>• 1703-CTO</li> <li>• 1704-CTO, KA<sub>x</sub></li> <li>• 1705-CTO, 7N<sub>x</sub>, K9<sub>x</sub></li> <li>• 2507-CTO</li> <li>• 2508-CTO</li> </ul> | 42W7680 | R       | N      |
|     | Planar Intel Core Duo processor L2500 (1.83GHz) Low voltage OA2<br><ul style="list-style-type: none"> <li>• 1702-CTO</li> <li>• 1703-CTO</li> <li>• 1704-CTO</li> <li>• 1705-CTO</li> <li>• 2507-CTO</li> <li>• 2508-CTO</li> </ul>   | 42W7681 | R       | N      |
|     | Planar Intel Core Duo processor L2500 (1.83GHz) Low voltage OA2 with WWAN<br><ul style="list-style-type: none"> <li>• 1702-CTO</li> <li>• 1703-CTO</li> <li>• 1704-CTO</li> <li>• 1705-CTO</li> <li>• 2507-CTO</li> <li>• 2508-CTO</li> </ul>                                       | 42W7682 | R       | N      |

(continued)

| No. | FRU  | FRU no. | RoHS ID | CRU ID |
|-----|--|---------|---------|--------|
| 23  | Planar Intel Core Duo processor T2300E (1.67GHz)<br>Standard voltage OA2<br><ul style="list-style-type: none"> <li>• 1706-CTO</li> <li>• 1707-CTO</li> <li>• 1708-CTO</li> <li>• 1709-CTO</li> <li>• 2509-CTO</li> <li>• 2510-CTO</li> </ul>                 | 42W7692 | R       | N      |
|     | Planar Intel Core Duo processor T2400 (1.83GHz)<br>Standard voltage OA2<br><ul style="list-style-type: none"> <li>• 1706-CTO</li> <li>• 1707-CTO</li> <li>• 1708-CTO</li> <li>• 1709-CTO</li> <li>• 2509-CTO</li> <li>• 2510-CTO</li> </ul>                  | 42W7691 | R       | N      |
|     | Planar Intel Core Duo processor T2500 (2.0GHz)<br>Standard voltage OA2<br><ul style="list-style-type: none"> <li>• 1706-CTO</li> <li>• 1707-CTO</li> <li>• 1708-CTO</li> <li>• 1709-CTO</li> <li>• 2509-CTO</li> <li>• 2510-CTO</li> </ul>                   | 42W7693 | R       | N      |
|     | Planar Intel Core Duo processor T2500 (2.0GHz)<br>Standard voltage OA2 with WWAN<br><ul style="list-style-type: none"> <li>• 1706-CTO</li> <li>• 1707-CTO</li> <li>• 1708-CTO</li> <li>• 1709-CTO</li> <li>• 2509-CTO</li> <li>• 2510-CTO</li> </ul>         | 42W7694 | R       | N      |
|     | Planar Intel Core 2 Duo processor T5500 (1.66GHz)<br>Standard voltage OA2<br><ul style="list-style-type: none"> <li>• 1706-CTO</li> <li>• 1707-CTO</li> <li>• 1708-CTO</li> <li>• 1709-CTO, KLx</li> <li>• 2509-CTO</li> <li>• 2510-CTO</li> </ul>           | 42W7695 | R       | N      |
|     | Planar Intel Core 2 Duo processor T5600 (1.83GHz)<br>Standard voltage OA2<br><ul style="list-style-type: none"> <li>• 1706-CTO</li> <li>• 1707-CTO</li> <li>• 1708-CTO, PHx, KMx</li> <li>• 1709-CTO, PGx</li> <li>• 2509-CTO</li> <li>• 2510-CTO</li> </ul> | 42W7696 | R       | N      |

(continued)

Parts list

| No. | FRU   | FRU no. | RoHS ID | CRU ID |
|-----|---|---------|---------|--------|
| 23  | Planar Intel Core 2 Duo processor T7200 (2.0GHz)<br>Standard voltage OA2<br><ul style="list-style-type: none"> <li>• 1706-CTO</li> <li>• 1707-CTO</li> <li>• 1708-CTO, QHx</li> <li>• 1709-CTO, QGx</li> <li>• 2509-CTO</li> <li>• 2510-CTO</li> </ul>  | 42W7697 | R       | N      |
|     | Planar Intel Core 2 Duo processor T7200 (2.0GHz)<br>Standard voltage OA2 with WWAN<br><ul style="list-style-type: none"> <li>• 1706-CTO</li> <li>• 1707-CTO</li> <li>• 1708-CTO, HEx</li> <li>• 1709-CTO</li> <li>• 2509-CTO</li> <li>• 2510-CTO</li> </ul>   | 42W7698 | R       | N      |
|     | Planar Intel Core 2 Duo processor L7300 (1.4GHz), Santa Rosa/Intel Pro, Low voltage<br><ul style="list-style-type: none"> <li>• 7666-63x, 26x, 7Mx, 74x, 75x, 7Px, 77x, 78x, 24x, 7Gx, 73x, 76x, 64x</li> <li>• 7668-24x, 79x, 7Ax, 7Bx, 7Cx, 7Gx, 65x, 25x, 28x</li> <li>• 7669-7Fx, 7Dx, 27x, 29x</li> <li>• 7670-23x</li> </ul>  | 42W7765 | R       | N      |
|     | Planar Intel Core 2 Duo processor L7300 (1.4GHz), Santa Rosa/Intel Pro, Low voltage, 2nd Fan<br><ul style="list-style-type: none"> <li>• 7666-CTO, 93x, 94x</li> <li>• 7676-CTO</li> <li>• 7668-CTO, 93x, 94x</li> <li>• 7669-CTO</li> <li>• 7670-CTO</li> <li>• 7671-CTO</li> </ul>  | 42X4304 | R       | N      |
|     | Planar Intel Core 2 Duo processor L7500 (1.60GHz), Santa Rosa/Intel Pro, Low voltage<br><ul style="list-style-type: none"> <li>• 7666-34x, 3Ax, 36x, 86x, 38x, 8Ex, 89x, 84x, 83x, 53x, 54x, 55x, 8Ax, 8Bx, 8Cx, 8Dx, 3Cx, 3Dx, 3Fx, 3Ex</li> <li>• 7667-34x, 36x, 3Fx, 3Ex</li> <li>• 7668-38x, 87x</li> <li>• 7669-35x, 37x, 56x, 88x, 85x</li> <li>• 7671-33x</li> </ul> | 42W7766 | R       | N      |
|     | Planar Intel Core 2 Duo processor L7500 (1.60GHz), Santa Rosa/Intel Pro/2nd Fan, Low voltage<br><ul style="list-style-type: none"> <li>• 7666-47x, 43x</li> <li>• 7668-44x</li> <li>• 7669-45x, 46x, 49x, 4Ax</li> </ul>  | 42W7767 | R       | N      |

(continued)



| No. | FRU   | FRU no. | RoHS ID | CRU ID |
|-----|---|---------|---------|--------|
| 23  | Planar Intel Core 2 Duo processor T7100 (1.8GHz), Santa Rosa/Intel Pro, Standard voltage<br><ul style="list-style-type: none"> <li>• 7673-23x, 33x, 34x, 3Hx, 3Jx, 39x, 3Ax, 3Nx, 3Dx, 3Lx, 24x, 3Fx, 3Gx, 25x, 3Hx, 3Kx</li> <li>• 7675-26x, 33x, 34x, 35x, 36x, 37x, 38x, 39x, 3Ax, 3Bx, 3Cx, 3Dx, 3Ex, 27x, 28x, 3Jx, 29x, 3Mx</li> <li>• 7676-35x, 3HX, 3Lx, 3Px</li> </ul> | 42W7768 | R       | N      |
|     | Planar Intel Core 2 Duo processor T7300 (2.0GHz), Santa Rosa/Intel Pro, Standard voltage<br><ul style="list-style-type: none"> <li>• 7673-65x, 4Jx, 4Hx, 4Dx, 47x, 4Lx, 45x, 46x, 4Gx, 44x, 4Mx, 66x, 4Nx</li> <li>• 7674-65x, 65x, 66x, 4Nx</li> <li>• 7675-49x, 4Ax, 4Bx, 4Cx, 48x, 4Ex, 4Kx</li> <li>• 7676-4Fx, 4Px</li> <li>• 7678-63x</li> <li>• 7679-43x</li> </ul>      | 42W7769 | R       | N      |
|     | Planar Intel Core Duo processor T7300 (2.0GHz), Santa Rosa/Intel Pro/2nd Fan, Standard voltage<br><ul style="list-style-type: none"> <li>• 7673-53x, 54x, 74x, 78x, 79x, 7Ax, 7Gx, 7Bx, 75x, 7Cx, 7Dx, 76x, 7Ex, 73x, 7Hx, 7Jx, 5Ax, 5Bx</li> <li>• 7674-74x</li> <li>• 7675-55x, 59x, 75x, 7Fx, 7Kx</li> <li>• 7676-56x, 57x, 58x, 5Cx</li> </ul>                              | 42W7770 | R       | N      |

(continued)

Parts list

| No. | FRU  | FRU no. | RoHS ID | CRU ID |
|-----|--|---------|---------|--------|
| 24  | PC Card slot mech  | 41W1093 | R       | N      |
| 25  | Fan assembly, Ultra Low Voltage <ul style="list-style-type: none"> <li>• 1702-CTO, 83x, 84x, 85x, 86x, 87x, 93x, 95x, 96x, 97x, 99x</li> <li>• 1703-CTO</li> <li>• 1704-CTO</li> <li>• 1705-CTO, 85x</li> <li>• 2507-CTO</li> <li>• 2508-CTO</li> <li>• 2533-CTO, B3x, B4x, B5x</li> </ul>   | 41V9747 | R       | N      |
|     | Fan assembly, Low Voltage <ul style="list-style-type: none"> <li>• 1702-CTO, 23x, 24x, 25x, 26x, 34x, 35x, 36x, 37x, 38x, 39x, 3Ax, 3Cx, 3Dx, 3Ex, 3Fx, 3Gx, 3Hx, 3Jx, 3Kx, 3Lx, 3Mx, 3Nx, 3Qx, 3Rx, 3Sx, 44x, 45x, 46x, 47x, 49x, 4Ax, 4Bx, 4Ex, 4Fx, 4Gx, 4Hx, 4Kx, 4Lx, 53x, 55x, 57x, 58x, 5Cx, 5Dx, 5Ex, 5Fx, 5Gx, 5Kx, 5Jx, 5Mx, 5Nx, 5Px, 5Qx, 5Rx, 5Sx, 5Tx, 63x, 64x, 65x, 68x, 6Bx, 6Cx, 73x, 74x, 75x, 76x, 77x, 78x, 7Ax, 79x, 7Bx, 94x, 98x, C3x, C4x, C5x, C6x, C7x</li> <li>• 1703-CTO, 37x, 3Jx, 3Qx</li> <li>• 1704-CTO, 33x, 34x, 3Dx, 3Qx, 3Tx, 43x, 44x, 4Cx, 4Dx, 4Jx, 56x, 5Bx, 5Lx, 63x, 66x, 69x, 6Ax</li> <li>• 1705-CTO, 24x, 33x, 34x, 3Gx, 3Px, 3Qx, 3Ux, 43x, 44x, 48x, 4Cx, 53x, 54x, 59x, 5Ax, 5Dx, 5Ex, 5Hx</li> <li>• 2507-CTO, 3Bx</li> <li>• 2508-CTO, 3Bx</li> <li>• 2533-CTO, A3x, A4x, A5x</li> <li>• 1702-CTO, 34x, 44x, 79x, 3Jx, 3Lx, 3Qx, 49x, 4Ex, 37x, 5Nx, 4Fx, 3Hx, 3Sx, 68x, 6Cx, 5Fx, 3Dx, 3Ex, 3Cx, 74x, 94x, 76x, 55x, 4Gx, 58x, 5Px, 4Kx, 4Ax, 3Gx, 3Mx, 3Nx, 5Ex, 5Cx, 3Ax, 5Kx, 5Jx, 98x, 36x, 3Fx, 5Mx, 38x, 35x, 46x, 47x, 4Bx, 5Gx, 63x, 6Bx, 45x, 64x, 65x, 4Hx, 3Rx, 3Kx, 75x, 77x, 78x, 5Qx, 5Rx, 39x, 5Dx, 53x, 57x, 73x, 7Ax, 55x, 5Tx, 7Bx, 4Lx, C3x, 24x, C4x, C5x, C6x, C7x, 23x, 25x, 26x, 88x</li> <li>• 1703-CTO, D6x, 3Wx, D8x, E7x</li> <li>• 1704-CTO, D3x, 3Yx, EAx, ECx, EFx, EGx, E9x, F4x, F5x, EBx, G3x, G4x, KAx</li> <li>• 1705-CTO, D3x, DBx, EJx, 89x, B6x, B7x, 3Xx, D7x, D9x, Dax, HBx, 7Dx, 7Fx, 7Ex, 7Gx, H3x, 7Nx</li> <li>• 2507-CTO, D4x</li> <li>• 2508-CTO, D4x</li> </ul> | 41V9748 | R       | N      |
|     | Fan assembly, Standard Voltage <ul style="list-style-type: none"> <li>• 1706-all</li> <li>• 1707-all</li> <li>• 1708-all</li> <li>• 1709-all</li> <li>• 2509-all</li> <li>• 2510-all</li> </ul>  | 41V9749 | R       | N      |

(continued)

| No. | FRU  | FRU no. | RoHS ID | CRU ID |
|-----|--|---------|---------|--------|
| 25  | Fan assembly, Intel Core 2 Duo processor Standard voltage <ul style="list-style-type: none"> <li>• 1706-all</li> <li>• 1707-all</li> <li>• 1708-all</li> <li>• 1709-all</li> <li>• 2509-all</li> <li>• 2510-all</li> </ul>   | 42W2522 | R       | N      |
|     | Fan assembly, Low Voltage <ul style="list-style-type: none"> <li>• 7666-All</li> <li>• 7667-All</li> <li>• 7668-All</li> <li>• 7669-All</li> <li>• 7670-All</li> <li>• 7671-All</li> </ul>   | 42X3804 | R       | N      |
|     | Fan assembly, Standard Voltage <ul style="list-style-type: none"> <li>• 7673-All</li> <li>• 7674-All</li> <li>• 7675-All</li> <li>• 7676-All</li> <li>• 7678-All</li> <li>• 7679-All</li> </ul>  | 42X3805 | R       | N      |
| 26  | Backup battery (3V with wire)  | 92P1210 | R       | **     |
| 27  | TrackPoint cap set   | 91P9642 | R       | *      |
| 28  | ThinkPad X6 UltraBase  | 40Y8120 | R       | *      |
|     | ThinkPad X6 UltraBase <ul style="list-style-type: none"> <li>• 7666-34x, 63x, 26x, 3Ax, 36x, 86x, 47x, 7Mx, 74x, 75x, 7Px, 77x, 78x, 24x, 7Gx, 38x, 8Ex, 84x, 73x, 76x, 64x, 83x, 53x, 54x, 43x, 55x, 8Ax, 8Bx, 8Cx, 8Dx, 3Cx, 3Dx, 3Fx, 3Ex, 93x, 94x</li> <li>• 7667-3Fx, 3Ex</li> <li>• 7668-28x, 93x, 94x</li> <li>• 7669-49x, 29x, 4Ax</li> <li>• 7670-CTO</li> <li>• 7673-CTO, 65x, 74x, 4Jx, 4Hx, 53x, 54x, 23x, 33x, 34x, 3Hx, 78x, 3Jx, 79x, 39x, 3Ax, 3Nx, 7Ax, 7Gx, 3Dx, 3Lx, 7Bx, 24x, 4Dx, 47x, 4Lx, 75x, 3Fx, 3Gx, 45x, 46x, 7Cx, 7Dx, 4Gx, 25x, 44x, 76x, 3Hx, 7Ex, 73x, 3Kx, 7Hx, 7Jx, 4Mx, 66x, 4Nx, 5Ax, 5Bx</li> <li>• 7674-CTO, 65x, 74x, 66x, 4Nx</li> <li>• 7675-CTO, 33x, 34x, 35x, 49x, 38x, 4Ax, 39x, 3Ax, 3Bx, 4Bx, 3Ex, 4Cx, 27x, 28x, 3Jx, 48x, 4Ex, 75x, 29x, 7Fx, 55x, 3Mx, 4Kx, 7Kx, 59x, 5Ax, 5Bx</li> <li>• 7676-CTO, 35x, 56x, 4Fx, 3HX, 57x, 58x, 3Lx, 4Px, 3Px, 5Cx</li> </ul> | 42X4320 | R       | *      |

(continued)

Parts list

| No. | FRU  | FRU no. | RoHS ID | CRU ID |
|-----|--|---------|---------|--------|
| 29  | DVD/CD-RW drive, 9.5mm<br><ul style="list-style-type: none"> <li>• 1702-CTO</li> <li>• 1703-CTO</li> <li>• 1704-CTO</li> <li>• 1705-CTO</li> <li>• 2507-CTO</li> <li>• 2508-CTO</li> <li>• 1706-CTO</li> <li>• 1707-CTO</li> <li>• 1708-CTO</li> <li>• 1709-CTO</li> <li>• 2509-CTO</li> <li>• 2510-CTO</li> <li>• 7666-CTO</li> <li>• 7667-CTO</li> <li>• 7668-CTO, 44x</li> <li>• 7669-CTO, 35x</li> <li>• 7670-CTO</li> <li>• 7671-CTO</li> <li>• 7673-CTO, 23x, 73x</li> <li>• 7674-CTO</li> <li>• 7675-CTO, 55x</li> <li>• 7676-CTO, 56x, 4Fx, 57x</li> <li>• 7678-CTO</li> <li>• 7679-CTO</li> </ul> |         |         |        |
|     | HDLS GCC-4246N, GCC-4247N-C2   | 39T2687 | R       | *      |
|     | PCC UJDA775, UJDA765   | 39T2685 | R       | *      |

(continued)

| No. | FRU  | FRU no. | RoHS ID | CRU ID |
|-----|--|---------|---------|--------|
| 29  | DVD drive, 9.5mm<br><ul style="list-style-type: none"> <li>• 1702-CTO</li> <li>• 1703-CTO</li> <li>• 1704-CTO</li> <li>• 1705-CTO</li> <li>• 2507-CTO</li> <li>• 2508-CTO</li> <li>• 2533-CTO</li> <li>• 2534-CTO</li> <li>• 1706-CTO</li> <li>• 1707-CTO</li> <li>• 1708-CTO</li> <li>• 1709-CTO</li> <li>• 2509-CTO</li> <li>• 2510-CTO</li> </ul>   |         |         |        |
|     | HLDS GDR-8085N-C2  | 39T2683 | R       | *      |
|     | PCC UJDA775DVD, UJDA765DVD   | 39T2681 | R       | *      |
|     | DVD drive, 9.5mm<br><ul style="list-style-type: none"> <li>• 1702-CTO</li> <li>• 1703-CTO</li> <li>• 1704-CTO</li> <li>• 1705-CTO</li> <li>• 2507-CTO</li> <li>• 2508-CTO</li> <li>• 1706-CTO</li> <li>• 1707-CTO</li> <li>• 1708-CTO</li> <li>• 1709-CTO</li> <li>• 2509-CTO</li> <li>• 2510-CTO</li> <li>• 7666-CTO</li> <li>• 7667-CTO</li> <li>• 7668-CTO</li> <li>• 7669-CTO</li> <li>• 7670-CTO</li> <li>• 7671-CTO</li> <li>• 7673-CTO</li> <li>• 7674-CTO</li> <li>• 7675-CTO</li> <li>• 7676-CTO</li> <li>• 7678-CTO</li> <li>• 7679-CTO</li> </ul> |         |         |        |
|     | HLDS GDR-8087N-C2  | 39T2683 | R       | *      |
|     | PCC UJDA775DVD   | 39T2681 | R       | *      |

(continued)

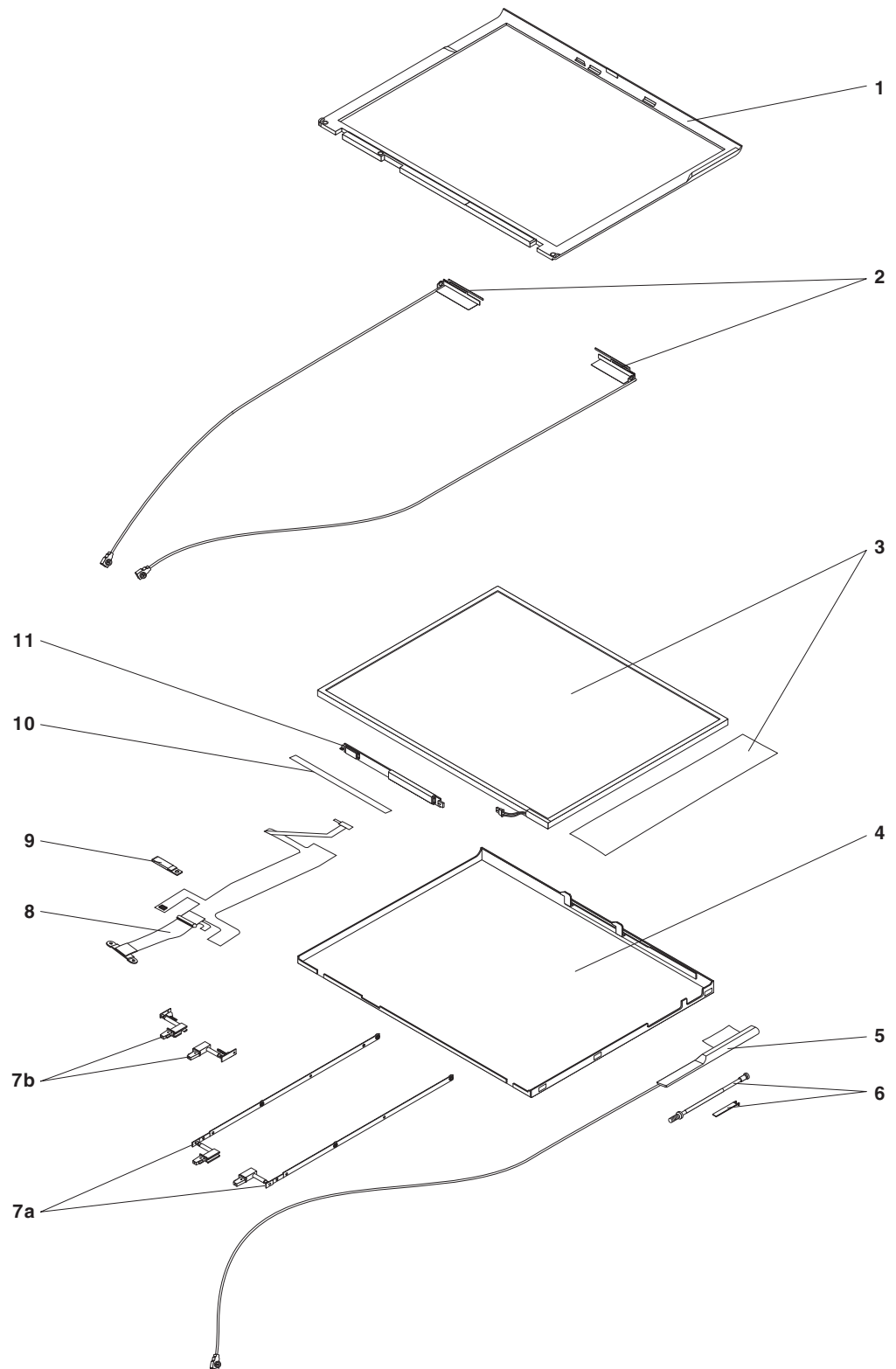
Parts list

| No. | FRU  | FRU no. | RoHS ID | CRU ID |
|-----|--|---------|---------|--------|
| 29  | DVD-RAM/RW, 9.5mm <ul style="list-style-type: none"> <li>• 1702-CTO</li> <li>• 1703-CTO</li> <li>• 1704-CTO</li> <li>• 1705-CTO</li> <li>• 2507-CTO</li> <li>• 2508-CTO</li> <li>• 2533-CTO</li> <li>• 2534-CTO</li> <li>• 1706-CTO</li> <li>• 1707-CTO</li> <li>• 1708-CTO</li> <li>• 1709-CTO</li> <li>• 2509-CTO</li> <li>• 2510-CTO</li> </ul>   |         |         |        |
|     | HDLS GSA-4083N   | 39T2679 | R       | *      |
|     | PCC UJ-842   | 39T2677 | R       | *      |
| 30  | HDD rubber rails (2.5-inch HDD) <ul style="list-style-type: none"> <li>• 1702-All</li> <li>• 1703-All</li> <li>• 1704-All</li> <li>• 1705-All</li> <li>• 2507-All</li> <li>• 2508-All</li> <li>• 1706-All</li> <li>• 1707-All</li> <li>• 1708-All</li> <li>• 1709-All</li> <li>• 2509-All</li> <li>• 2510-All</li> <li>• 7666-All</li> <li>• 7667-All</li> <li>• 7668-All</li> <li>• 7669-All</li> <li>• 7670-All</li> <li>• 7671-All</li> <li>• 7673-All</li> <li>• 7674-All</li> <li>• 7675-All</li> <li>• 7676-All</li> <li>• 7678-All</li> <li>• 7679-All</li> </ul> | 41V9756 | R       | *      |

**Note:** The HDD rubber rails (2.5-inch HDD) **28** are only for models that use 2.5-inch SATA drives. This FRU does not apply to models that use 1.8-inch PATA drives.

# LCD FRUs

## 12.1-in. XGA TFT



Parts list

| No. | FRU  | FRU no. | RoHS ID | CRU ID |
|-----|--|---------|---------|--------|
| 1   | LCD front bezel assembly 12.1-inch TFT (SPWG)                                  | 41V9721 | R       | N      |
|     | LCD front bezel assembly 12.1-inch TFT (TMD)                                   | 41V9722 | R       | N      |
|     | LCD front bezel assembly 12.1-inch TFT (SPWG)                                  | 42X3937 | R       | N      |
|     | LCD front bezel assembly 12.1-inch TFT (TMD)                                   | 42X3938 | R       | N      |
|     | LCD front bezel assembly 12.1-inch TFT (SPWG) for WWAN                         | 42X4327 | R       | N      |
| 2   | Wireless LAN antenna cable set (SPWG)  | 91P6975 | R       | N      |
|     | Wireless LAN antenna cable set (TMD)   | 91P6996 | R       | N      |
|     | Wireless LAN antenna cable set (SPWG)  | 93P4538 | R       | N      |
|     | Wireless LAN antenna cable set (TMD)   | 93P4539 | R       | N      |
|     | Wireless LAN antenna cable set (SPWG) for MIMO                                 | 93P4540 | R       | N      |
|     | Wireless LAN antenna cable set (TMD) for MIMO                                  | 93P4541 | R       | N      |
| 3   | LCD module 12.1-inch XGA (TMD)   | 13N7092 | R       | N      |
|     | LCD module 12.1-inch XGA (Hydis)   | 13N7094 | R       | N      |
|     | LCD module 12.1-inch XGA (Samsung)   | 13N7096 | R       | N      |
|     | LCD module 12.1-inch XGA (CMO)   | 42T0343 | R       | N      |
| -   | Aluminum tape for WWAN (TMD)   | 42X4391 | R       | N      |
| 4   | LCD rear cover assembly without antenna (SWPG)                                 | 41V9718 | R       | N      |
|     | LCD rear cover assembly without antenna (TMD)                                  | 41V9719 | R       | N      |
|     | LCD rear cover assembly without LAN antenna (SWPG) with ThinkPad logo          | 42X3921 | R       | N      |
|     | LCD rear cover assembly without LAN antenna (TMD) with ThinkPad logo           | 42X3922 | R       | N      |
|     | LCD rear cover assembly without LAN antenna (SWPG) for WWAN with ThinkPad logo | 42X3923 | R       | N      |
|     | LCD rear cover assembly with LAN2x2 (for TMD) for WWAN with ThinkPad Logo      | 42X3924 | R       | N      |
|     | LCD rear cover assembly without LAN antenna (SWPG) with IBM logo               | 42X4417 | R       | N      |
|     | LCD rear cover assembly without LAN antenna (TMD) with IBM logo                | 42X4418 | R       | N      |
|     | LCD rear cover assembly without LAN antenna (SWPG) for WWAN with IBM logo      | 42X4419 | R       | N      |
|     | LCD rear cover assembly with LAN2x2 (TMD) with IBM logo                        | 42X4420 | R       | N      |

(continued)



| No. | FRU  | FRU no. | RoHS ID | CRU ID |
|-----|--|---------|---------|--------|
| 5   | WAN antenna cable set for Sierra Wireless EV-DO Wireless WAN Mini PCI Express Adapter (SPWG) | 93P4388 | R       | N      |
|     | WAN antenna cable set for Sierra Wireless MC8755 PCI Express MiniCard (SPWG)                 | 93P4310 | R       | N      |
|     | Wireless LAN 3rd antenna cable (SPWG)  | 93P4389 | R       | N      |
|     | WAN antenna cable set for Verizon (SPWG)   | 93P4542 | R       | N      |
|     | WAN antenna cable set  | 93P4543 | R       | N      |
| 6   | Rod antenna with special tool  | 42X3939 | R       | N      |
| 7a  | LCD hinge bracket kit (SPWG)   | 41V9745 | R       | N      |
|     | LCD hinge bracket kit (SPWG)   | 42X3925 | R       | N      |
| 7b  | LCD hinge bracket kit (TMD)  | 41V9746 | R       | N      |
| 8   | LCD cable assembly with <i>Bluetooth</i> (SPWG)  | 91P6971 | R       | N      |
|     | LCD cable assembly with <i>Bluetooth</i> (TMD)   | 91P6972 | R       | N      |
|     | LCD cable assembly without <i>Bluetooth</i> (SPWG)   | 91P6973 | R       | N      |
|     | LCD cable assembly without <i>Bluetooth</i> (TMD)  | 91P6974 | R       | N      |
|     | LCD cable assembly with <i>Bluetooth</i> (SPWG)  | 93P4535 | R       | N      |
|     | LCD cable assembly with <i>Bluetooth</i> (TMD)   | 93P4536 | R       | N      |
| 9   | <i>Bluetooth</i> Daughter Card (BDC-2)   | 39T0497 | R       | N      |
| 10  | LCD icon plate, X60  | 42W2062 | R       | N      |
|     | LCD icon plate, X60s   | 42W2061 | R       | N      |
|     | LCD icon plate, X61  | 42X3822 | R       | N      |
|     | LCD icon plate, X61s   | 42X3823 | R       | N      |
| 11  | LCD inverter card (Foxconn)  | 39T5699 | R       | N      |
|     | LCD inverter card (YEC)  | 42T0152 | R       | N      |

**Note:** The WAN antenna cable set for Sierra Wireless EV-DO Wireless WAN Mini PCI Express Adapter (SPWG) **5** is included in FRU 93P4388 together with the WWAN aux cable for Sierra Wireless EV-DO Wireless WAN Mini PCI Express Adapter **13** listed in “Overall” on page 119.

## Keyboard

The following keyboards are used with ThinkPad X60 and X60s computers.

| Language  | P/N (NMB) | P/N (Chicony) | RoHS ID | CRU ID |
|---|-----------|---------------|---------|--------|
| Arabic  | 39T7280   | 42T3085       | R       | **     |
| Belgian   | 39T7277   | 42T3082       |         |        |
| Canadian, multilanguage (445)                     | 39T7266   | 42T3071       |         |        |
| Chinese, Traditional                              | 39T7291   | 42T3096       |         |        |
| Czech   | 39T7285   | 42T3090       |         |        |
| Danish  | 39T7274   | 42T3079       |         |        |
| Dutch   | 39T7271   | 42T3076       |         |        |
| English, U.K.                                     | 39T7269   | 42T3074       |         |        |
| English, U.S.                                     | 39T7265   | 42T3070       |         |        |
| English, U.S. (International, with a Euro symbol) | 39T7295   | 42T3100       |         |        |
| Finnish, Swedish                                  | 39T7272   | 42T3077       |         |        |
| French, Canadian (058)                            | 39T7267   | 42T3072       |         |        |
| French, European                                  | 39T7270   | 42T3075       |         |        |
| German  | 39T7268   | 42T3073       |         |        |
| Greek   | 39T7287   | 42T3092       |         |        |
| Hebrew  | 39T7282   | 42T3087       |         |        |
| Hungarian   | 39T7286   | 42T3091       |         |        |
| Italian   | 39T7275   | 42T3080       |         |        |
| Japanese  | 39T7290   | 42T3095       |         |        |
| Korean  | 39T7292   | 42T3097       |         |        |
| Norwegian   | 39T7273   | 42T3078       |         |        |
| Polish  | 39T7283   | 42T3088       |         |        |
| Portuguese, Brazilian                             | 39T7320   | 42T3101       |         |        |
| Portuguese, European                              | 39T7279   | 42T3084       |         |        |
| Russian   | 39T7281   | 42T3086       |         |        |
| Slovak  | 39T7289   | 42T3094       |         |        |
| Slovenian   | 39T7288   | 42T3093       |         |        |
| Spanish, European                                 | 39T7276   | 42T3081       |         |        |
| Spanish, Latin American                           | 39T7293   | 42T3098       |         |        |
| Swiss   | 39T7278   | 42T3083       |         |        |
| Thai  | 39T7294   | 42T3099       |         |        |
| Turkish   | 39T7284   | 42T3089       |         |        |

The following keyboards are used with ThinkPad X61 and X61s computers.

| Language  | P/N (NMB) | P/N (Chicony) | RoHS ID | CRU ID |
|---|-----------|---------------|---------|--------|
| Arabic  | 42T3482   | 42T3546       | R       | **     |
| Belgian   | 42T3479   | 42T3543       |         |        |
| Canadian, multilanguage (445)                     | 42T3468   | 42T3532       |         |        |
| Chinese, Traditional                              | 42T3493   | 42T3557       |         |        |
| Czech   | 42T3487   | 42T3551       |         |        |
| Danish  | 42T3476   | 42T3540       |         |        |
| Dutch   | 42T3473   | 42T3537       |         |        |
| English, U.K.                                     | 42T3471   | 42T3535       |         |        |
| English, U.S.                                     | 42T3467   | 42T3531       |         |        |
| English, U.S. (International, with a Euro symbol) | 42T3497   | 42T3561       |         |        |
| Finnish, Swedish                                  | 42T3474   | 42T3538       |         |        |
| French, Canadian (058)                            | 42T3469   | 42T3533       |         |        |
| French, European                                  | 42T3472   | 42T3536       |         |        |
| German  | 42T3470   | 42T3534       |         |        |
| Greek   | 42T3489   | 42T3553       |         |        |
| Hebrew  | 42T3484   | 42T3548       |         |        |
| Hungarian   | 42T3488   | 42T3552       |         |        |
| Italian   | 42T3477   | 42T3541       |         |        |
| Japanese  | 42T3492   | 42T3556       |         |        |
| Korean  | 42T3494   | 42T3558       |         |        |
| Norwegian   | 42T3475   | 42T3539       |         |        |
| Polish  | 42T3485   | 42T3549       |         |        |
| Portuguese, Brazilian                             | 42T3498   | 42T3562       |         |        |
| Portuguese, European                              | 42T3481   | 42T3545       |         |        |
| Russian   | 42T3483   | 42T3547       |         |        |
| Slovak  | 42T3491   | 42T3555       |         |        |
| Slovenian   | 42T3490   | 42T3554       |         |        |
| Spanish, European                                 | 42T3478   | 42T3542       |         |        |
| Spanish, Latin American                           | 42T3495   | 42T3559       |         |        |
| Swiss   | 42T3480   | 42T3544       |         |        |
| Thai  | 42T3496   | 42T3560       |         |        |
| Turkish   | 42T3486   | 42T3550       |         |        |

## Recovery discs

### For Windows XP Professional SP2 CDs

Windows XP Professional SP2 is preinstalled as the operating system in following models:

- 1702-23x, 24x, 25x, 26x, 35x, 37x, 38x, 3Ax, 3Cx, 3Dx, 3Hx, 3Jx, 3Lx, 3Mx, 3Qx, 3Sx, 45x, 46x, 49x, 4Ex, 4Gx, 4Hx, 4Kx, 55x, 57x, 58x, 5Cx, 5Fx, 5Gx, 5Jx, 5Mx, 5Nx, 5Px, 5Qx, 5Rx, 5Sx, 63x, 64x, 65x, 68x, 6Bx, 6Cx, 73x, 74x, 75x, 76x, 77x, 78x, 7Bx, 83x, 84x, 86x, 87x, 94x, 95x, 96x, 97x, 98x, 99x, C4x, C5x, C6x, C7x
- 1703-37x, 3Jx, 3Qx
- 1704-3Dx, 3Qx, 3Tx, 4Cx, 4Dx, 4Jx, 56x, 5Bx, 5Lx, 63x, 66x, 69x, 6Ax
- 1705-24x, 3Px, 3Qx, 48x, 4Cx, 54x, 59x, 5Ax, 5Hx
- 2507-3Bx
- 2508-3Bx
- 2533-A4x, A5x, B4x, B5x
- 1706-25x, 26x, 28x, 33x, 34x, 44x, 46x, 47x, 49x, 4Ax, 4Bx, 4Cx, 4Dx, 55x, 56x, 58x, 59x, 5Cx, 5Dx, 5Fx, 5Hx, 5Kx, 5Px, 63x, 64x, 69x, 6Bx, 6Dx, 75x, 76x, 77x, 7Ax, 7Ex, 7Fx, 85x, 86x, 87x, 8Ax, 8Bx, 8Dx, 8Fx, 8Gx, 8Hx, 8Jx, 93x, 94x, 95x,
- 1707-5Dx, 5Kx,
- 1708-5Kx, 5Mx, 7Dx, 86x, 8Cx, 95x,
- 1709-24x, 47x, 59x, 5Jx, 79x, 7Dx, 7Hx, 83x, 85x, 86x, 8Cx, 96x, 97x
- 2509-57x
- 2510-57x

| Language                                | P/N     | RoHS ID | CRU ID |
|---|---------|---------|--------|
| Chinese, Simplified                     | 42J7138 | R       |        |
| Chinese, Traditional (Taiwan)           | 42J7139 | R       |        |
| Chinese, Traditional (Hong Kong S.A.R.) | 42J7140 | R       |        |
| Czech                                   | 42J7129 | R       |        |
| Danish                                  | 42J7127 | R       |        |
| Dutch                                   | 42J7128 | R       |        |
| English, Arabic                         | 42J7133 | R       |        |
| English, Russian                        | 42J7323 | R       |        |
| English, Universal, Disabled            | 42J7121 | R       |        |
| English, U.S.                           | 42J7117 | R       |        |
| Finnish                                 | 42J7130 | R       |        |
| French                                  | 42J7118 | R       |        |
| German                                  | 42J7119 | R       |        |
| Greek                                   | 42J7137 | R       |        |
| Hebrew                                  | 42J7131 | R       |        |
| Hungarian                               | 42J7136 | R       |        |
| Italian                                 | 42J7123 | R       |        |
| Japanese                                | 42J7124 | R       |        |
| Korean                                  | 42J7141 | R       |        |
| Norwegian                               | 42J7125 | R       |        |
| Polish                                  | 42J7132 | R       |        |
| Portuguese, Brazilian                   | 42J7122 | R       |        |
| Russian                                 | 42J7134 | R       |        |
| Slovenian                               | 42J7324 | R       |        |
| Spanish                                 | 42J7120 | R       |        |
| Swedish                                 | 42J7126 | R       |        |
| Turkish                                 | 42J7135 | R       |        |

Windows XP Professional SP2 is preinstalled as the operating system in following models:

- 1702-3Wx, 7Cx, 7Dx, 7Ex, 7Fx, 7Gx, 88x, D5x, D6x, D8x, E4x, E5x, E7x, E8x, EEx, EHx, F3x, F6x, F7x, H5x, H7x, H8x, HAx, HCx, HDx, HEx, HFx, J6x
- 1703-3Wx, D6x, D8x, E7x
- 1704-E9x, EAx, ECx, EFx, EGx, F4x, F5x, G3x, G4x
- 1705-3Xx, 7Dx, 7Ex, 7Fx, 7Gx, 88x, B6x, B6x, B7x, DBx, EJx
- 2507-D4x
- 2508-D4x
- 1706-5Qx, 5Tx, 5Ux, 5Vx, 5Yx, AUx, AVx, AXx, B5x, B8x, C5x, C9x, CCx, CEx, E3x, G4x, G5x, G7x, GBx, GCx, GDx, GEx, GFx, GGx, GJx, H7x, H8x, K5x, K7x, K8x, K9x, KAx, KCx, KEx, M5x, M6x, M7x, M8x, M9x, MAx, MBx, MCx, MDx, MGx, MHx, MJx, MKx
- 1707-5Vx, B5x, B8x, C9x
- 1708-B7x, E4x
- 1709-5Tx, 5Ux, ASx, C6x, C8x, CBx, CGx, GDx, GEx, H6x, K6x, K8x, K9x, M5x, M6x
- 2509-B4x
- 2510-B4x

| Language                                | P/N     | RoHS ID | CRU ID |
|---|---------|---------|--------|
| Chinese, Simplified                     | 43T5150 | R       | *      |
| Chinese, Traditional (Taiwan)           | 43T5151 | R       |        |
| Chinese, Traditional (Hong Kong S.A.R.) | 43T5152 | R       |        |
| Czech                                   | 43T5141 | R       |        |
| Danish                                  | 43T5139 | R       |        |
| Dutch                                   | 43T5140 | R       |        |
| English, Arabic                         | 43T5145 | R       |        |
| English, Russian                        | 43T5331 | R       |        |
| English, Universal, Disabled            | 43T5133 | R       |        |
| English, U.S.                           | 43T7044 | R       |        |
| Finnish                                 | 43T5142 | R       |        |
| French                                  | 43T7050 | R       |        |
| German                                  | 43T5131 | R       |        |
| Greek                                   | 43T5149 | R       |        |
| Hebrew                                  | 43T5143 | R       |        |
| Hungarian                               | 43T5148 | R       |        |
| Italian                                 | 43T5135 | R       |        |
| Japanese                                | 43T5136 | R       |        |
| Korean                                  | 43T5153 | R       |        |
| Norwegian                               | 43T5137 | R       |        |
| Polish                                  | 43T5144 | R       |        |
| Portuguese, Brazilian                   | 43T5134 | R       |        |
| Russian                                 | 43T5146 | R       |        |
| Slovenian                               | 43T5330 | R       |        |
| Spanish                                 | 43T5132 | R       |        |
| Swedish                                 | 43T5138 | R       |        |
| Turkish                                 | 43T5147 | R       |        |

## For Windows XP Home Edition CDs

Windows XP Home Edition is preinstalled as the operating system in following models:

- 1702-36x, 39x, 3Ex, 3Fx, 3Gx, 3Kx, 3Nx, 3Rx, 47x, 4Ax, 4Bx, 4Fx, 4Lx, 53x, 5Dx, 5Ex, 5Kx, 5Tx, 7Ax, 85x
- 1705-3Gx, 3Ux, 53x, 5Dx, 5Ex, 85x
- 1706-27x, 48x, 4Ex, 5Ax, 5Bx, 5Gx, 5Lx, 78x, 7Bx, 7Cx, 7Gx, 84x, 88x, 89x, 8Ex, 8Kx
- 1709-45x, 5Ax, 5Ex, 5Lx, 5Nx, 84x, 89x

| Language                                | P/N     | RoHS ID | CRU ID |
|---|---------|---------|--------|
| Chinese, Simplified                     | 42J7319 | R       | *      |
| Chinese, Traditional                    | 42J7320 | R       |        |
| Chinese, Traditional (Hong Kong S.A.R.) | 42J7321 | R       |        |
| English, U.S.                           | 42J7317 | R       |        |
| Japanese                                | 42J7318 | R       |        |
| Korean                                  | 42J7322 | R       |        |

Windows XP Home Edition is preinstalled as the operating system in following models:

- 1702-E3x, H4x, H6x, H9x
- 1705-89x, D7x, D9x, DAx, HBx
- 1706-5Rx, G6x, MFx
- 1709-5Sx, ATx, B6x, B9x, C4x, CAx, G9x

| Language                                | P/N     | RoHS ID | CRU ID |
|---|---------|---------|--------|
| Chinese, Simplified                     | 43T5350 | R       | *      |
| Chinese, Traditional                    | 43T5351 | R       |        |
| Chinese, Traditional (Hong Kong S.A.R.) | 43T5352 | R       |        |
| English, U.S.                           | 43T7056 | R       |        |
| Japanese                                | 43T5336 | R       |        |
| Korean                                  | 43T5353 | R       |        |



### **For Windows Vista Business (32 bit) DVDs**

Windows Vista Business (32 bit) is preinstalled as the operating system in following models:

- 1702-ELx, HGx, K4x, DCx, K5x, ENx, F9x, K6x, EPx
- 1704-7Mx, J8x, EKx, F8x, EMx, FAX
- 1705-HHx, 7Kx, 7Lx, K7x, EKx
- 1706-CHx, QFx, QDx, P4x, QAx, KKx, PFX, Q5x, KHx, P9x, QBx, PDx, BAx, Q9x, CJx, QEx, P5x, P6x
- 1708-PBx, PCx, Q8x, Q9x, P8x, HBx
- 1709-KHx, Q4x, HAx, P7x, Q6x, Q7x, KJx, PEx, QCx, BBx, PAx
- 7666-All
- 7667-All
- 7668-All
- 7669-All
- 7670-All
- 7671-All
- 7673-All
- 7674-All
- 7675-All
- 7676-All
- 7678-All
- 7679-All

Parts list

| Language                                | P/N     | RoHS ID | CRU ID |
|---|---------|---------|--------|
| Chinese, Simplified                     | 43T7789 | R       | *      |
| Chinese, Traditional (Taiwan)           | 43T7790 | R       |        |
| Chinese, Traditional (Hong Kong S.A.R.) | 43T7791 | R       |        |
| Czech                                   | 43T7781 | R       |        |
| Danish                                  | 43T7778 | R       |        |
| Dutch                                   | 43T7779 | R       |        |
| English, Russian                        | 43T7770 | R       |        |
| English, Universal, Disabled            | 43T7769 | R       |        |
| English, U.S.                           | 43T7768 | R       |        |
| Finnish                                 | 43T7780 | R       |        |
| French                                  | 43T7771 | R       |        |
| German                                  | 43T7772 | R       |        |
| Greek                                   | 43T7786 | R       |        |
| Hungarian                               | 43T7785 | R       |        |
| Italian                                 | 43T7775 | R       |        |
| Japanese                                | 43T7788 | R       |        |
| Korean                                  | 43T7792 | R       |        |
| Norwegian                               | 43T7776 | R       |        |
| Polish                                  | 43T7782 | R       |        |
| Portuguese, Brazilian                   | 43T7774 | R       |        |
| Russian                                 | 43T7783 | R       |        |
| Slovenian                               | 43T7787 | R       |        |
| Spanish                                 | 43T7773 | R       |        |
| Swedish                                 | 43T7777 | R       |        |
| Turkish                                 | 43T7784 | R       |        |

## Miscellaneous parts

| FRU   | P/N     | RoHS ID | CRU ID |
|---|---------|---------|--------|
| Base cover miscellaneous parts kit  | 41V9741 | R       | N      |
| System miscellaneous parts kit  | 42W2636 | R       | N      |
| System miscellaneous parts kit <ul style="list-style-type: none"> <li>• 7666-CTO, 34x, 63x, 26x, 3Ax, 36x, 86x, 7Mx, 74x, 75x, 7Px, 77x, 78x, 24x, 7Gx, 38x, 8Ex, 84x, 73x, 76x, 64x, 83x, 53x, 54x, 55x, 8Ax, 8Bx, 8Cx, 8Dx, 3Cx, 3Dx, 3Fx, 3Ex</li> <li>• 7667-34x, 36x, 3Fx, 3Ex</li> <li>• 7668-CTO, 24x, 79x, 7Ax, 7Bx, 7Cx, 7Gx, 38x, 87x, 65x, 25x, 28x</li> <li>• 7669-CTO, 7Fx, 35x, 37x, 56x, 7Dx, 88x, 85x, 46x, 27x, 29x</li> <li>• 7670-CTO, 23x</li> <li>• 7671-CTO</li> <li>• 7673-CTO, 65x, 74x, 4Jx, 4Hx, 23x, 33x, 34x, 3Hx, 78x, 3Jx, 79x, 39x, 3Ax, 3Nx, 7Ax, 7Gx, 3Dx, 3Lx, 7Bx, 24x, 4Dx, 47x, 4Lx, 75x, 3Fx, 3Gx, 45x, 46x, 7Cx, 7Dx, 4Gx, 25x, 44x, 76x, 3Hx, 7Ex, 73x, 3Kx, 7Hx, 7Jx, 54x, 4Mx, 66x, 4Nx</li> <li>• 7674-CTO, 65x, 74x, 66x 4Nx</li> <li>• 7675-CTO, 33x, 34x, 35x, 49x, 38x, 4Ax, 39x, 3Ax, 3Bx, 4Bx, 3Ex, 4Cx, 3Jx, 48x, 4Ex, 75x, 7Fx, 3Mx, 4Kx, 7Kx, 27x, 28x, 29x</li> <li>• 7676-CTO, 35x, 4Fx, 3HX, 3Lx, 58x, 4Px, 3Px</li> <li>• 7678-CTO, 63x</li> <li>• 7679-CTO, 43x</li> </ul> | 42X3927 | R       | N      |
| System miscellaneous parts kit for WWAN <ul style="list-style-type: none"> <li>• 7666-CTO, 47x, 43x, 93x, 94x</li> <li>• 7667-CTO</li> <li>• 7668-CTO, 44x, 93x, 94x</li> <li>• 7669-CTO, 45x, 49x, 4Ax</li> <li>• 7670-CTO, 33x</li> <li>• 7671-CTO</li> <li>• 7673-CTO, 53x, 5Ax, 5Bx</li> <li>• 7674-CTO</li> <li>• 7675-CTO, 55x, 59x, 5Ax, 5Bx</li> <li>• 7676-CTO, 56x, 57x, 5Cx</li> <li>• 7678-CTO</li> <li>• 7679-CTO</li> </ul>   | 42X3928 | R       | N      |
| Screw kit   | 41V9754 | R       | N      |
| Rubber kit (X60s)   | 41V9750 | R       | *      |
| Rubber kit (X60s)   | 42W3064 | R       | *      |
| Rubber kit (X61s)   | 42X3808 | R       | *      |
| Rubber kit (X60)  | 41V9772 | R       | *      |
| Rubber kit (X60)  | 42W3065 | R       | *      |
| Rubber kit (X61)  | 42X3809 | R       | *      |

**AC adapters**

| FRU   | P/N     | RoHS ID | CRU ID |
|---|---------|---------|--------|
| 2-pin (65 W, 20 V) AC adapter (Delta)<br>• Models-CTO, xxE, xxF, xxJ, xxP, xxS, xxU, xxY            | 92P1155 | R       | *      |
| 2-pin (65 W, 20 V) AC adapter (Liteon)<br>• Models-CTO, xxE, xxF, xxJ, xxP, xxS, xxU, xxY           | 92P1159 | R       | *      |
| 2-pin (65 W, 20 V) AC adapter (Astec)<br>• Models-CTO, xxE, xxF, xxJ, xxP, xxS, xxU, xxY            | 92P1214 | R       | *      |
| 3-pin (65 W, 20 V) AC adapter (Delta)<br>• Models-CTO, xxA, xxB, xxC, xxG, xxH, xxK, xxM, xxQ, xxV  | 92P1153 | R       | *      |
| 3-pin (65 W, 20 V) AC adapter (Liteon)<br>• Models-CTO, xxA, xxB, xxC, xxG, xxH, xxK, xxM, xxQ, xxV | 92P1157 | R       | *      |
| 3-pin (65 W, 20 V) AC adapter (Astec)<br>• Models-CTO, xxA, xxB, xxC, xxG, xxH, xxK, xxM, xxQ, xxV  | 92P1212 | R       | *      |

## Common parts list

### Tools

| Tool  | P/N     |
|---|---------|
| Triconnector wrap plug  | 72X8546 |
| Audio wrap cable  | 66G5180 |
| USB parallel test cable   | 05K2580 |
| Screwdriver kit   | 95F3598 |
| Mini PC tool set  | 00P7033 |
| 1/4" drive spinner handle   | 1650840 |
| 1/4" Sq. to 1/4" hex torx adapter   | 93F2838 |
| TR7-TR-10 tamper resistant torx bits  | 00P6967 |
| Removal tool antenna RF connector   | 08K7159 |
| PCI-Express/USB wrap card   | 27K9813 |
| USB 2.0 CD-RW/DVD-ROM combo drive II  | 40Y8687 |
| USB cable   | 40Y8704 |
| USB floppy diskette drive for maintenance diskette  | 05K9283 |
| USB floppy diskette drive tool kit  | 27L3452 |
| Test card for integrated Smart Card   | 42W7820 |
| ThinkPad Hardware Maintenance Diskette Version 1.73 or later<br><b>Note:</b> Download the file from the following Web site: <a href="http://www.lenovo.com/spm">http://www.lenovo.com/spm</a> | —       |

### Power cords

A ThinkPad power cord for a specific country or region is usually available only in that country or region:

*For 2-pin power cords:*

| Region                       | P/N (Longwell) | P/N (Volex) | RoHS ID | CRU ID |
|------------------------------|----------------|-------------|---------|--------|
| Argentina, Uruguay, Paraguay | 42T5020        | 42T5105     | R       | *      |
| Brazil                       | 42T5180        | 42T5183     |         |        |
| Canada, U.S.                 | 42T5008        | 42T5093     |         |        |
| Japan                        | 42T5014        | 42T5099     |         |        |

*For 3-pin power cords:*

| Region                              | P/N (Longwell) | P/N (Volex) | RoHS ID | CRU ID |
|-------------------------------------|----------------|-------------|---------|--------|
| Australia, New Zealand              | 42T5050        | 42T5135     | R       | *      |
| Bangladesh, South Africa, Sri Lanka | 42T5056        | 42T5141     |         |        |
| China                               | 42T5065        | 42T5150     |         |        |
| Denmark                             | 42T5041        | 42T5126     |         |        |
| Europe                              | 42T5029        | 42T5114     |         |        |
| Hong Kong S.A.R. of China, U.K.     | 42T5035        | 42T5120     |         |        |
| India                               | 42T5083        | 42T5168     |         |        |
| Israel                              | 42T5062        | 42T5147     |         |        |
| Italy                               | 42T5047        | 42T5132     |         |        |
| Korea                               | 42T5077        | 42T5162     |         |        |
| Philippine, Saudi Arabia, Thailand  | 42T5004        | 42T5089     |         |        |
| Switzerland                         | 42T5044        | 42T5129     |         |        |
| Taiwan                              | 42T5071        | 42T5156     |         |        |

---

## Notices

Lenovo may not offer the products, services, or features discussed in this document in all countries. Consult your local Lenovo representative for information on the products and services currently available in your area. Any reference to a Lenovo product, program, or service is not intended to state or imply that only that Lenovo product, program, or service may be used. Any functionally equivalent product, program, or service that does not infringe any Lenovo intellectual property right may be used instead. However, it is the user's responsibility to evaluate and verify the operation of any other product, program, or service.

Lenovo may have patents or pending patent applications covering subject matter described in this document. The furnishing of this document does not give you any license to these patents. You can send license inquiries, in writing, to:

*Lenovo (United States), Inc.  
1009 Think Place - Building One  
Morrisville, NC 27560  
U.S.A.  
Attention: Lenovo Director of Licensing*

LENOVO PROVIDES THIS PUBLICATION "AS IS" WITHOUT WARRANTY OF ANY KIND, EITHER EXPRESS OR IMPLIED, INCLUDING, BUT NOT LIMITED TO, THE IMPLIED WARRANTIES OF NON-INFRINGEMENT, MERCHANTABILITY OR FITNESS FOR A PARTICULAR PURPOSE. Some jurisdictions do not allow disclaimer of express or implied warranties in certain transactions, therefore, this statement may not apply to you.

This information could include technical inaccuracies or typographical errors. Changes are periodically made to the information herein; these changes will be incorporated in new editions of the publication. Lenovo may make improvements and/or changes in the product(s) and/or the program(s) described in this publication at any time without notice.

The products described in this document are not intended for use in implantation or other life support applications where malfunction may result in injury or death to persons. The information contained in this document does not affect or change Lenovo product specifications or warranties. Nothing in this document shall operate as an express or implied license or indemnity under the intellectual property rights of Lenovo or third parties. All information contained in this document was obtained in specific environments and is presented as an illustration. The result obtained in other operating environments may vary.

Lenovo may use or distribute any of the information you supply in any way it believes appropriate without incurring any obligation to you.

Any references in this publication to non-Lenovo Web sites are provided for convenience only and do not in any manner serve as an endorsement of those Web sites. The materials at those Web sites are not part of the materials for this Lenovo product, and use of those Web sites is at your own risk.

Any performance data contained herein was determined in a controlled environment. Therefore, the result obtained in other operating environments may vary significantly. Some measurements may have been made on development-level systems and there is no guarantee that these measurements will be the same on generally available systems. Furthermore, some measurements may have been

estimated through extrapolation. Actual results may vary. Users of this document should verify the applicable data for their specific environment.

---

## Trademarks

The following terms are trademarks of Lenovo in the United States, other countries, or both:

Rescue and Recovery  
ThinkLight®  
ThinkPad®  
ThinkVantage®  
TrackPoint®  
UltraBase  
Ultrabay

The following terms are trademarks of the International Business Machines Corporation in the United States, other countries, or both:

IBM (used under license)

The following terms are trademarks of Microsoft Corporation in the United States, other countries, or both:

Windows®  
Windows Vista

The following terms are trademarks of Intel Corporation or its subsidiaries in the United States, other countries, or both:

Intel®  
Intel® Core™  
Intel® Core™ Duo  
Intel® Core™ Solo  
Intel® Core™ 2 Duo

Other company, product, or service names may be the trademarks or service marks of others.





**ThinkPad**

Part Number: 42X3550

(1P) P/N: 42X3550

