

Setup



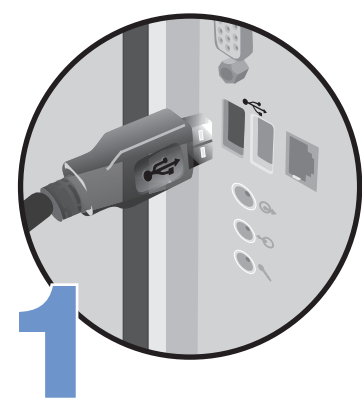
For your safety and comfort, review the Safety and Ergonomics Information in the Quick Reference. Your computer model might look slightly different than shown below.

Locate the following items:

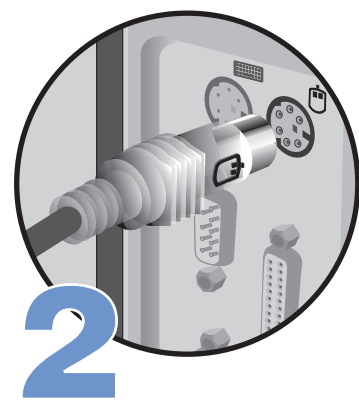
- Computer
- USB keyboard
- PS2 mouse
- Power cord
- Speakers
- Modem line(A), converter(B), or splitter(C) as required in your region
- Monitor (sold separately)



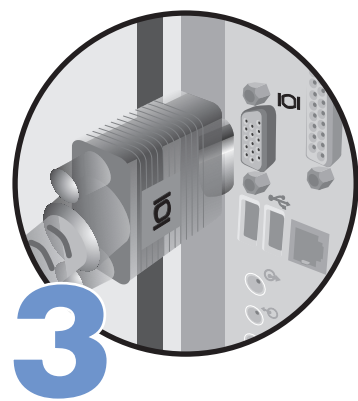
© Copyright IBM Corp. 2001
IBM is a trademark of International Business Machines Corporation in the United States, other countries, or both. Windows is a trademark of Microsoft Corporation in the United States, other countries, or both.



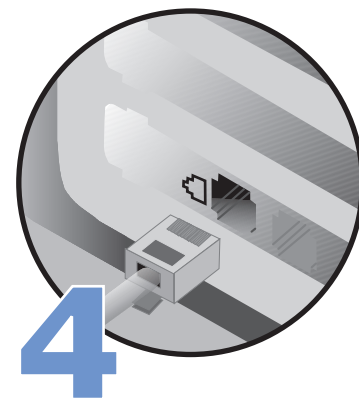
1 Connect keyboard



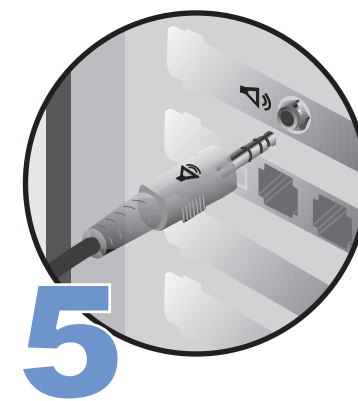
2 Connect mouse



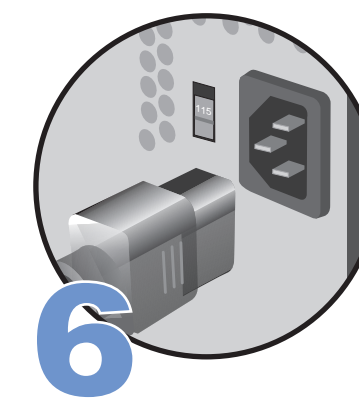
3 Connect monitor



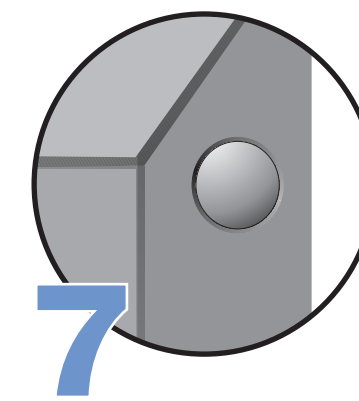
4 Connect modem



5 Connect speakers



6 Verify voltage switch is set for your location. Plug in power cord to the computer and then to electrical outlet.



7 Turn on computer and monitor



8 Double-click the Access IBM icon

Note to Printer: Potential Print Problem There is a potential print problem when creating the PRN file in CorelDRAW 8. With CorelDRAW 9, We created a PRN file without problems.

2 Color print Job: Pantone 2718 and Pantone Process Black. There are 2 black plates on this job, combine into 1 black plate. The 2nd black plate is the screen image (bmp) on the monitor.