

ThinkPad Port Replicator,
ThinkPad Port Replicator II,
and
ThinkPad Mini Dock



User's Guide

ThinkPad Port Replicator,
ThinkPad Port Replicator II,
and
ThinkPad Mini Dock



User's Guide

ATTENTION

Refer to the documentation that comes with your computer before installing the product.

Note

Be sure to keep your proof of purchase, because it might be required for warranty services. (See "Product warranty and notices" on page A-1 of ThinkPad Mini Dock and ThinkPad Port Replicator II User's Guide, or Warranty statements on page 2-3 of ThinkPad Port Replicator User's Guide.)

First Edition (January 2003)

The following paragraph does not apply to the United Kingdom or any country where such provisions are inconsistent with local law:

INTERNATIONAL BUSINESS MACHINES CORPORATION PROVIDES THIS PUBLICATION "AS IS" WITHOUT ANY WARRANTY OF ANY KIND, EITHER EXPRESS OR IMPLIED, INCLUDING, BUT NOT LIMITED TO, THE LIMITED WARRANTIES OF MERCHANTABILITY OR FITNESS FOR A PARTICULAR PURPOSE. Some states do not allow disclaimers or express or implied warranties in certain transactions; therefore, this statement may not apply to you.

This publication could include technical inaccuracies or typographical errors. Changes are periodically made to the information herein; these changes will be incorporated in new editions of the publication. IBM may make improvements or changes in the products or the programs described in this publication at any time.

It is possible that this publication may contain reference to, or information about, IBM products (machines and programs), programming, or services that are not announced in your country. Such references or information must not be construed to mean that IBM intends to announce such IBM products, programming, or services in your country.

Requests for technical information about IBM products should be made to your IBM authorized dealer or your IBM marketing representative.

© Copyright International Business Machines Corporation 2003. All rights reserved. US Government Users Restricted Rights - Use, duplication or disclosure restricted by GSA ADP Schedule Contract with IBM Corp.

Contents

About the ThinkPad Port Replicator, the Port Replicator II, and the Mini Dock	1
Front views.	1
Rear views	3
Attaching a ThinkPad Port Replicator, a Port Replicator II, or a Mini Dock	8
Detaching the ThinkPad Port Replicator, the Port Replicator II, or the Mini Dock	9
Security feature	10
Trademarks	13

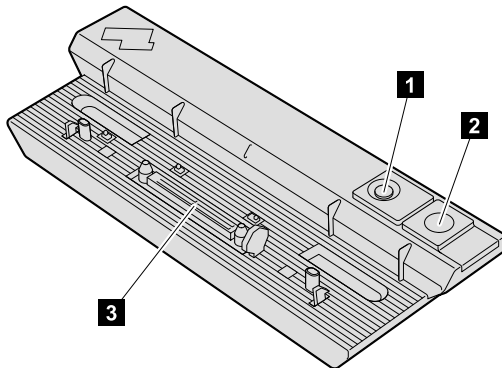
About the ThinkPad Port Replicator, the Port Replicator II, and the Mini Dock

After you attach your computer to the ThinkPad® Port Replicator, the ThinkPad Port Replicator II, or the ThinkPad Mini Dock, you can use its connectors in place of the computer's.

When the computer is attached to the ThinkPad Port Replicator, the ThinkPad Port Replicator II, or the ThinkPad Mini Dock, never pick up the assembly by taking hold of the computer alone. Always hold the whole assembly.

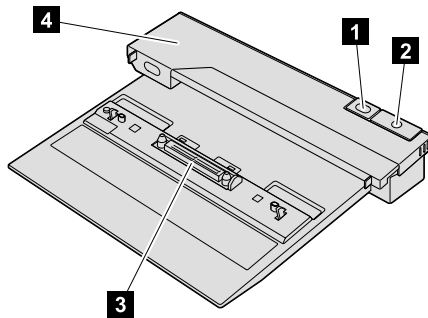
Front views

ThinkPad Port Replicator



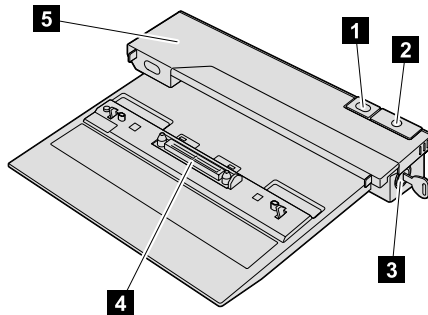
- (1) The **power switch** turns the computer on and off.
- (2) The **release button** releases the computer from the ThinkPad Port Replicator when pressed.
- (3) The **docking connector** is where you attach your ThinkPad computer.

ThinkPad Port Replicator II



- (1) The **power switch** turns the computer on and off.
- (2) The **release button** releases the computer from the ThinkPad Port Replicator II when pressed.
- (3) The **docking connector** is where you attach your ThinkPad computer.
- (4) Slide the **sliding adjuster** forward when attaching the ThinkPad Port Replicator II to your ThinkPad computer.

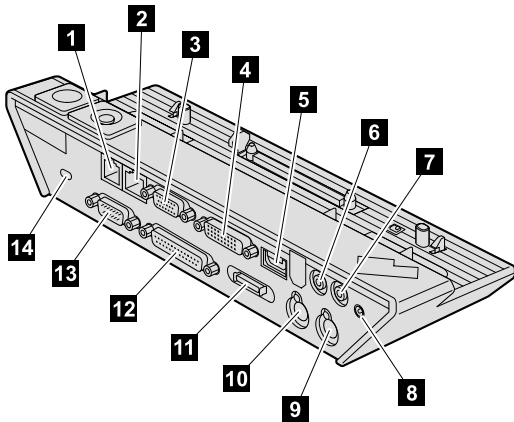
ThinkPad Mini Dock



- (1) The **power switch** turns the computer on and off.
- (2) The **release button** releases the computer from the ThinkPad Mini Dock when pressed.
- (3) The **security lock key** is for locking the release button.
- (4) The **docking connector** is where you attach your ThinkPad computer.
- (5) Slide the **sliding adjuster** forward when attaching the ThinkPad Mini Dock to your ThinkPad computer.

Rear views

ThinkPad Port Replicator



(1) The **modem connector** is for connecting the ThinkPad Port Replicator to a telephone line.

Note: If your ThinkPad computer does not support the modem connector, you cannot use the connector.

(2) The **Ethernet connector** is for connecting the ThinkPad Port Replicator to a 10BASE-T/100BASE-TX Ethernet LAN. The indicator on the connector is the same as that on the ThinkPad computer.

Notes:

- If your ThinkPad computer does not support the Ethernet connector, you cannot use the connector.
- You cannot use the Token Ring cable for this connector.
- This connector supports 10BASE-T/100BASE-TX Ethernet only.

(3) The **external monitor connector** is for connecting an external monitor.

(4) The **digital visual interface (DVI) connector** is for connecting a monitor that supports DVI.

Notes:

- The DVI connector provides a digital interface only.
- If your ThinkPad computer does not support DVI, you cannot use this connector.

(5) The **Universal Serial Bus (USB) connector** is for connecting a USB 1.1 device.

(6) The **line-out jack**, a jack 1/8 inch (3.5 mm) in diameter, is for connecting an external stereo audio device.

(7) The **line-in jack**, a jack 1/8 inch (3.5 mm) in diameter, is for connecting an external stereo audio device.

(8) The **power jack** is for connecting the ac adapter.

(9) The **mouse connector** is for connecting a mouse.

(10) The **keyboard connector** is for connecting an external keyboard or an external numeric keypad.

(11) The **external-diskette-drive connector** is for connecting an external-diskette-drive.

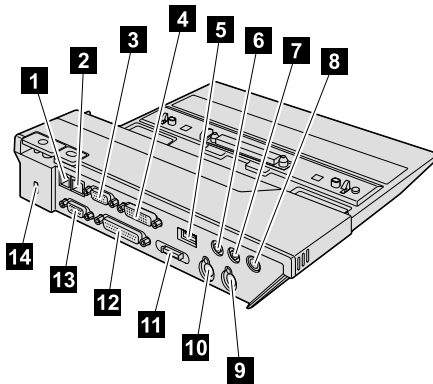
Note: If your ThinkPad computer does not support the external-diskette-drive, you cannot use the connector.

(12) The **parallel connector** is for connecting a parallel device.

(13) The **serial connector** is for connecting a serial device.

(14) When you attach a mechanical lock to the **security keyhole**, the release button is locked so that the computer cannot be removed from the ThinkPad Port Replicator.

ThinkPad Port Replicator II



(1) The **modem connector** is for connecting the ThinkPad Port Replicator II to a telephone line.

Note: If your ThinkPad computer does not support the modem connector, you cannot use the connector.

(2) The **Ethernet connector** is for connecting the ThinkPad Port Replicator II to a 10BASE-T/100BASE-TX/1000BASE-T Ethernet LAN. The indicator on the connector is the same as that on the ThinkPad computer.

Notes:

- If your ThinkPad computer does not support the Ethernet connector, you cannot use the connector.
- You cannot use the Token Ring cable for this connector.
- This connector supports 10BASE-T/100BASE-TX/1000BASE-T Ethernet only.
- If your ThinkPad computer does not support 1000BASE-T, this connector does not support 1000BASE-T.

(3) The **external monitor connector** is for connecting an external monitor.

(4) The **digital visual interface (DVI) connector** is for connecting a monitor that supports DVI.

Notes:

- The DVI connector provides a digital interface only.
- If your ThinkPad computer does not support DVI, you cannot use this connector.

(5) The **Universal Serial Bus (USB) connector** is for connecting a USB 1.1 or USB 2.0 device.

Note: If your ThinkPad computer does not support USB 2.0, the attached USB device does not work in USB 2.0 high-speed mode.

(6) The **line-out jack**, a jack 1/8 inch (3.5 mm) in diameter, is for connecting an external stereo audio device.

(7) The **line-in jack**, a jack 1/8 inch (3.5 mm) in diameter, is for connecting an external stereo audio device.

(8) The **power jack** is for connecting the ac adapter.

(9) The **mouse connector** is for connecting a mouse.

(10) The **keyboard connector** is for connecting an external keyboard or an external numeric keypad.

(11) The **external-diskette-drive connector** is for connecting an external-diskette-drive.

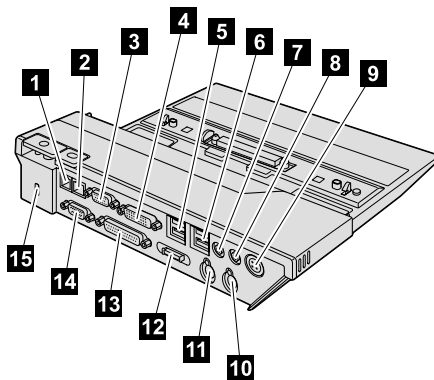
Note: If your ThinkPad computer does not support the external-diskette-drive, you cannot use the connector.

(12) The **parallel connector** is for connecting a parallel device.

(13) The **serial connector** is for connecting a serial device.

(14) When you attach a mechanical lock to the **security keyhole**, the release button is locked so that the computer cannot be removed from the ThinkPad Port Replicator II.

ThinkPad Mini Dock



(1) The **modem connector** is for connecting the ThinkPad Mini Dock to a telephone line.

Note: If your ThinkPad computer does not support the modem connector, you cannot use the connector.

(2) The **Ethernet connector** is for connecting the ThinkPad Mini Dock to a 10BASE-T/100BASE-TX/1000BASE-T Ethernet LAN. The indicator on the connector is the same as that on the ThinkPad computer.

Notes:

- If your ThinkPad computer does not support the Ethernet connector, you cannot use the connector.
- You cannot use the Token Ring cable for this connector.

- This connector supports 10BASE-T/100BASE-TX/1000BASE-T Ethernet only.
- If your ThinkPad computer does not support 1000BASE-T, this connector does not support 1000BASE-T.

(3) The **external monitor connector** is for connecting an external monitor.

(4) The **digital visual interface (DVI) connector** is for connecting a monitor that supports DVI.

Notes:

- The DVI connector provides a digital interface only.
- If your ThinkPad computer does not support DVI, you cannot use this connector.

(5) (6) The **Universal Serial Bus (USB) connectors** are for connecting USB 1.1 or 2.0 devices.

Notes:

- If your ThinkPad computer does not support USB 2.0, any attached USB device does not work in USB 2.0 high-speed mode.
- If your operating system is Windows® XP and your computer returns to normal operation after being attached to a ThinkPad Mini Dock while it is operating or in standby mode, the warning message, "HI-SPEED USB Device Plugged into non-HI-SPEED USB Hub," may appear. It is displayed because of the USB 2.0 driver problem on Windows XP. You can safely close it. If your computer belongs to ThinkPad R40 Series, X30 Series, or T40 Series and is compatible with USB 2.0, the message is not displayed.

(7) The **line-out jack**, a jack 1/8 inch (3.5 mm) in diameter, is for connecting an external stereo audio device.

(8) The **line-in jack**, a jack 1/8 inch (3.5 mm) in diameter, is for connecting an external stereo audio device.

(9) The **power jack** is for connecting the ac adapter.

(10) The **mouse connector** is for connecting a mouse.

(11) The **keyboard connector** is for connecting an external keyboard or an external numeric keypad.

(12) The **external-diskette-drive connector** is for connecting an external-diskette-drive.

Note: If your ThinkPad computer does not support the external-diskette-drive, you cannot use the connector.

(13) The **parallel connector** is for connecting a parallel device.

(14) The **serial connector** is for connecting a serial device.

(15) When you attach a mechanical lock to the **security keyhole**, you can secure the ThinkPad Mini Dock to a heavy object, such as a desk.

Note: To lock the release button of the ThinkPad Mini Dock, use the security lock key.

Attaching a ThinkPad Port Replicator, a Port Replicator II, or a Mini Dock

To attach your computer to a ThinkPad Port Replicator, a ThinkPad Port replicator II, or a ThinkPad Mini Dock, do the following:

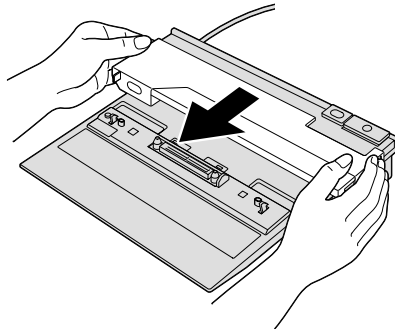
The following drawings are for the ThinkPad Mini Dock. The procedure is the same for the ThinkPad Port Replicator and the ThinkPad Port Replicator II.

Notes:

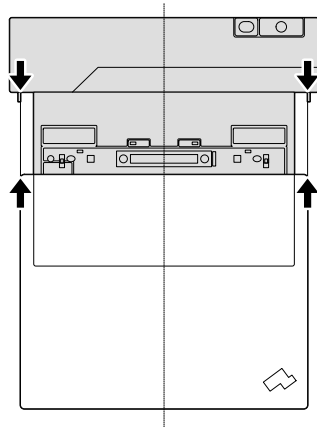
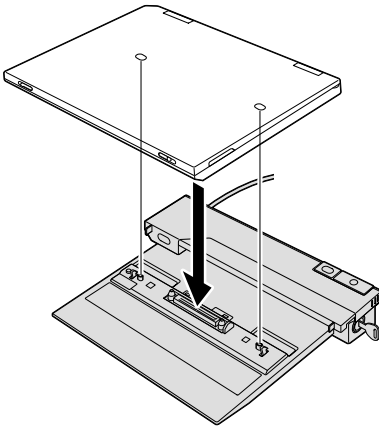
- Before you attach your computer to a ThinkPad Port Replicator, a ThinkPad Port replicator II, or a ThinkPad Mini Dock, connect an ac adapter. If you use the ThinkPad Port Replicator or the ThinkPad Port Replicator II, use an ac adapter that is designed for your computer. If you use the ThinkPad Mini Dock, use an ac adapter included in the package of the ThinkPad Mini Dock.
- If your computer is operating, make sure that it has finished any operations involving devices that are connected to a USB connector, a serial connector, or a parallel connector. Also make sure that any connection to a modem or an Ethernet port has ended.
- Before you attach your computer to a ThinkPad Mini Dock, make sure that the security lock key is in place and in the unlocked (vertical) position.

1. Slide forward the sliding adjuster at the top of the ThinkPad Port Replicator II or the ThinkPad Mini Dock. If you use a ThinkPad Port

Replicator, this procedure is not required. Go to step 2.



2. Attach the computer to the ThinkPad Port Replicator, the ThinkPad Port Replicator II, or the ThinkPad Mini Dock, ensuring that the docking connectors are aligned with each other.



3. Insert your computer into the ThinkPad Port Replicator, the ThinkPad Port Replicator II, or the ThinkPad Mini Dock, along the surface, until you hear a click. The computer is now attached to the ThinkPad Port Replicator, the ThinkPad Port Replicator II, or the ThinkPad Mini Dock.

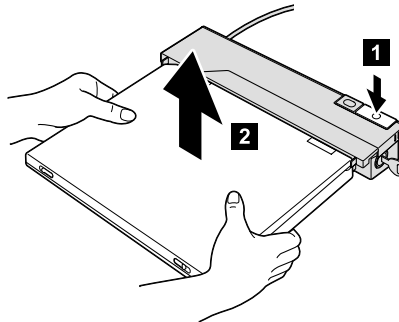
Detaching the ThinkPad Port Replicator, the Port Replicator II, or the Mini Dock

To detach your computer from the ThinkPad Port Replicator, the ThinkPad Port Replicator II, or the ThinkPad Mini Dock, do the following:

The following drawing is for the ThinkPad Mini Dock. The procedure is the same for the ThinkPad Port Replicator and the ThinkPad Port Replicator II.

Notes:

- If your computer is operating, make sure that it has finished operations involving devices that are connected to the USB connector, the serial connector, or the parallel connector. Also make sure that any connection to a modem or an Ethernet is stopped.
 - Make sure that the battery pack is fully charged.
1. If you use the ThinkPad Port Replicator or the ThinkPad Port Replicator II, make sure that the mechanical lock is removed. If you use the ThinkPad Mini Dock, make sure that the the security lock key is in place and in the unlocked (vertical) position.
 2. Press the release button **1** of the ThinkPad Port Replicator, the ThinkPad Port Replicator II, or the ThinkPad Mini Dock until the computer lifts up; then, **grasping both sides**, remove the computer **2**.



Security feature

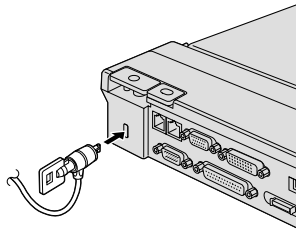
The ThinkPad Port Replicator, the ThinkPad Port Replicator II, or the ThinkPad Mini Dock has a security keyhole for a mechanical lock. By attaching a mechanical lock with cable there, you can secure the ThinkPad Port Replicator, the ThinkPad Port Replicator II, or the ThinkPad Mini Dock to a heavy object, such as a desk.

If you use the ThinkPad Port Replicator or the ThinkPad Port Replicator II, and attach a mechanical lock, the release button is also locked, so that the computer cannot be detached from the ThinkPad Port Replicator or the ThinkPad Port Replicator II.

If you use the ThinkPad Mini Dock, and attach a mechanical lock, the release button is not locked. To lock the release button, use the security lock key.

IBM® does not offer a mechanical lock. You will need to purchase one elsewhere. You are responsible for evaluating, selecting, and implementing any locking device and security feature. IBM makes no comments, judgments, or warranties about the function, quality, or performance of any locking device or security features.

Attach a mechanical lock as follows:



The drawing is for the ThinkPad Port Replicator II.

Trademarks

The following terms are trademarks of the IBM Corporation in the United States or other countries or both:

IBM
ThinkPad

Microsoft, Windows and Windows NT are trademarks of Microsoft Corporation in the United States, other countries, or both.

Other company, product, and service names may be trademarks or service marks of others.



Part Number: 92P1837

Printed in U.S.A.

(1P) P/N: 92P1837

