

ThinkPad Dock,
ThinkPad Dock II



User's Guide

ThinkPad Dock,
ThinkPad Dock II



User's Guide

ATTENTION

Before installing this product, refer to the documentation that comes with your computer.

Note

Be sure to keep your proof of purchase, because it might be required for warranty services. (See "Product warranty and notices" on page A-1 of ThinkPad Dock II User's Guide, or Warranty statements on page 2-3 of ThinkPad Dock User's Guide.)

First Edition (February 2003)

The following paragraph does not apply to the United Kingdom or any country where such provisions are inconsistent with local law:

INTERNATIONAL BUSINESS MACHINES CORPORATION PROVIDES THIS PUBLICATION "AS IS" WITHOUT ANY WARRANTY OF ANY KIND, EITHER EXPRESS OR IMPLIED, INCLUDING, BUT NOT LIMITED TO, THE LIMITED WARRANTIES OF MERCHANTABILITY OR FITNESS FOR A PARTICULAR PURPOSE. Some states do not allow disclaimers or express or implied warranties in certain transactions; therefore, this statement may not apply to you.

This publication could include technical inaccuracies or typographical errors. Changes are periodically made to the information herein; these changes will be incorporated in new editions of the publication. IBM may make improvements or changes in the products or the programs described in this publication at any time.

It is possible that this publication may contain reference to, or information about, IBM products (machines and programs), programming, or services that are not announced in your country. Such references or information must not be construed to mean that IBM intends to announce such IBM products, programming, or services in your country.

Requests for technical information about IBM products should be made to your IBM authorized dealer or your IBM marketing representative.

© Copyright International Business Machines Corporation 2003. All rights reserved. US Government Users Restricted Rights - Use, duplication or disclosure restricted by GSA ADP Schedule Contract with IBM Corp.

Contents

Chapter 1. About the ThinkPad Dock and the ThinkPad Dock II	1
Front view	1
Rear view	3
Inside view.	7
Chapter 2. Using the ThinkPad Dock or the ThinkPad Dock II.	9
Docking	9
Preparing for docking	9
Docking your computer in the ThinkPad Dock or the ThinkPad Dock II	11
Undocking	13
Emergency eject	15
Options for undocking	16
Inserting the PCI Card.	17
Inserting the PC Card	20
Using a device in the bay.	21
Security features.	24
Using security keyholes	24
Using the bay device lock	25
Using the PC Card lock	29
Trademarks	33

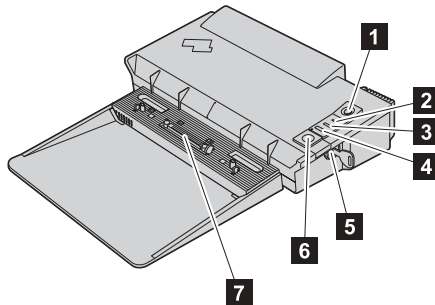
Chapter 1. About the ThinkPad Dock and the ThinkPad Dock II

You can extend the capabilities of your computer by attaching it to a docking station called ThinkPad[®] Dock or ThinkPad Dock II, available as an option. With an Ultrabay[™] 2000, a PCI slot, and two PC Card slots, the ThinkPad Dock or the ThinkPad Dock II enables your computer to emulate a powerful desktop computer when you are in your office or home. For portability, your computer can easily be detached.

When the computer is attached to the ThinkPad Dock or the ThinkPad Dock II, never pick up the assembly by taking hold of the computer alone. Always hold the whole assembly.

Front view

ThinkPad Dock

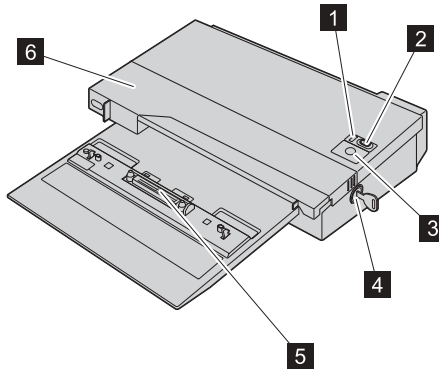


- (1) The **power switch** turns the computer on and off.
- (2) The **drive in use** indicator turns on when data is being read from or written to the hard disk drive or diskette drive in the bays for the Ultrabay device of both the computer and the ThinkPad Dock. Do not put your computer into standby mode when this indicator is on
- (3) The **docking indicator** turns on when the ThinkPad Dock is in use. When the indicator is on, you cannot detach your computer with the release button.
- (4) By pressing the **eject request button**, you can request the operating system to undock your computer from the ThinkPad Dock. You can also make this request through the operating system.
- (5) The **system lock key** is for locking the release button (6).

(6) By pressing the **release button**, you can detach the computer from the ThinkPad Dock. The button cannot be pressed when the docking indicator (3) is on.

(7) The **docking connector** is where you attach your ThinkPad computer.

ThinkPad Dock II



(1) The **docking indicator** turns on when the ThinkPad Dock II is in use. When the indicator is on, you cannot detach your computer by pressing the pop-up eject button.

(2) The **power switch** turns the computer on and off.

(3) By pressing the **pop-up eject button**, you can tell the operating system to get ready for undocking. (You can do the same by selecting **Eject PC** in the **start** menu of your computer.) When the docking indicator turns off and the button pops up, press the button again. You can now detach the computer from the ThinkPad Dock II.

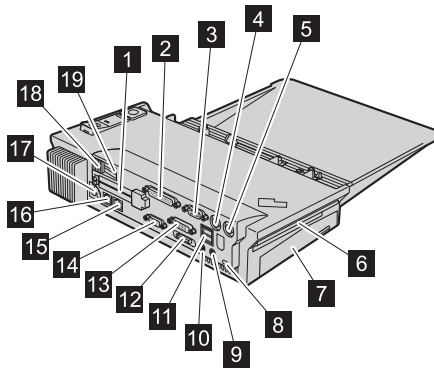
(4) The **system lock key** is for locking the pop-up eject button (3).

(5) The **docking connector** is where you attach your ThinkPad computer.

(6) Slide the **sliding adjuster** forward when attaching your ThinkPad computer to the ThinkPad Dock II .

Rear view

ThinkPad Dock



(1) The two **PC Card slots** accept a Type I, II, or III PC Card. If you are using a Type I or II PC Card, insert it into either the upper slot or the lower slot. If you are using a Type III PC Card, insert it into the lower slot. The slots also support CardBus cards.

(2) The **parallel connector** is for connecting a parallel device.

(3) The **serial connector** is for connecting a serial device.

(4) The **keyboard connector** is for connecting an external keyboard or an external numeric keypad.

(5) The **mouse connector** is for connecting a mouse.

(6) The **Ultrabay 2000** only supports Ultrabay devices. It does not support a second battery or an Ultrabay Plus device.

(7) The **PCI slot** accepts a short-size PCI card.

(8) The **security keyhole** is for attaching a mechanical lock so that the rear cover of the ThinkPad Dock cannot be opened.

(9) The **line-in jack**, a jack 1/8 inch (3.5 mm) in diameter, is for connecting an external stereo audio device.

(10) The **line-out jack**, a jack 1/8 inch (3.5 mm) in diameter, is for connecting an external stereo audio device.

(11) The **Universal Serial Bus (USB) connectors** are for connecting the devices that conform to the USB interface.

(12) The **external-diskette-drive connector** is for connecting an external-diskette drive.

Note: If your ThinkPad computer does not support the external-diskette-drive, you cannot use the connector.

(13) The **digital visual interface (DVI) connector** is for connecting a monitor that supports DVI.

Note: The DVI connector provides a digital interface only. If your ThinkPad computer does not support DVI, you cannot use this connector.

(14) The **external-monitor connector** is for connecting an external monitor.

(15) The **Ethernet connector** is for connecting the ThinkPad Dock to a 10BASE-T/100BASE-TX Ethernet LAN. Two indicators, to the upper left and the upper right of the connector, show the status of the network connection. When your computer connects to a LAN and the session is available, the left indicator shows green. While data is being transmitted, the right indicator blinks yellow.

Notes:

1. If your ThinkPad computer does not support the Ethernet connector, you cannot use the connector on the ThinkPad Dock.
2. You cannot use the Token Ring cable for this connector on the ThinkPad Dock.
3. This connector supports 10BASE-T/100BASE-TX Ethernet only.

(16) The **modem connector** is for connecting the docking station to a telephone line.

Note: If your ThinkPad computer does not support the modem connector, you cannot use the connector.

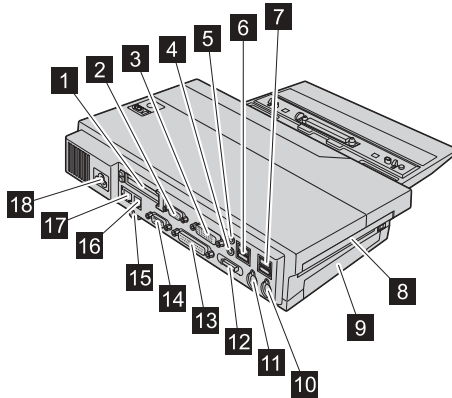
(17) The **power jack** is where you connect the power cord.

(18) The **device release lever** ejects a device from the Ultrabay 2000.

(19) The **security keyhole for Ultrabay 2000 device** is for securing the Ultrabay 2000 device to the docking station.

Note: To lock the Ultrabay 2000 device, you can use either the bay device lock or the security keyhole for the Ultrabay 2000 device. If you use the security keyhole for the Ultrabay 2000 devices, be sure that the bay device lock is unlocked.

ThinkPad Dock II



(1) The two **PC Card slots** accept a Type I, II, or III PC Card. If you are using a Type I or II PC Card, insert it into either the upper slot or the lower slot. If you are using a Type III PC Card, insert it into the lower slot. The slots also support CardBus cards.

(2) The **external-monitor connector** is for connecting an external monitor.

(3) The **digital visual interface (DVI) connector** is for connecting a monitor that supports DVI.

Note: The DVI connector provides a digital interface only. If your ThinkPad computer does not support DVI, you cannot use this connector.

(4) The **line-in jack**, a jack 1/8 inch (3.5 mm) in diameter, is for connecting an external stereo audio device.

(5) The **line-out jack**, a jack 1/8 inch (3.5 mm) in diameter, is for connecting an external stereo audio device.

(6) (7) The **Universal Serial Bus (USB) connectors** are for connecting USB 1.1 or USB 2.0 devices.

Notes:

1. If your ThinkPad computer does not support USB 2.0, any attached USB device will not work in USB 2.0 high-speed mode.

2. If your operating system is Microsoft® Windows® XP and your computer returns to normal operation after being attached to a ThinkPad Dock II when it is operating or in standby mode, the warning message, “HI-SPEED USB Device Plugged into non-HI-SPEED USB Hub,” may appear. It is displayed because of the USB 2.0 driver problem on Windows XP. You can safely close it. If your computer belongs to the ThinkPad X30 Series or the T40 Series and is compatible with USB 2.0, the message is not displayed.

(8) The **Ultrabay 2000** only supports the Ultrabay devices. It does not support a second battery or an Ultrabay Plus device.

(9) The **PCI slot** accepts a short-size PCI card.

(10) The **mouse connector** is for connecting a mouse.

(11) The **keyboard connector** is for connecting an external keyboard or an external numeric keypad.

(12) The **external-diskette-drive connector** is for connecting an external-diskette drive.

Note: If your ThinkPad computer does not support the external-diskette drive, you cannot use the connector.

(13) The **parallel connector** is for connecting a parallel device.

(14) The **serial connector** is for connecting a serial device.

(15) The **security keyhole** is for attaching a mechanical lock so that the rear cover of the ThinkPad Dock II cannot be opened.

(16) The **modem connector** is for connecting the docking station to a telephone line.

Note: If your ThinkPad computer does not support the modem connector, you cannot use the connector.

(17) The **Ethernet connector** is for connecting the ThinkPad Dock II to a 10BASE-T/100BASE-TX/1000BASE-T Ethernet LAN. Two indicators, to the upper left and the lower left of the connector, show the status of the network connection. When your computer connects to a LAN and the session is available, the upper indicator shows yellow. While data is being transmitted, the lower indicator blinks green.

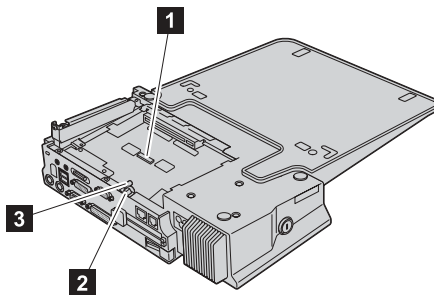
Notes:

1. If your ThinkPad computer does not support the Ethernet connector, you cannot use the connector on the ThinkPad Dock II.
2. You cannot use the Token Ring cable for this connector on the ThinkPad Dock II.
3. If your ThinkPad computer does not support 1000BASE-T Ethernet, you cannot use 1000BASE-T Ethernet LAN.

(18) The **power jack** is where you connect the power cord.

Inside view

ThinkPad Dock



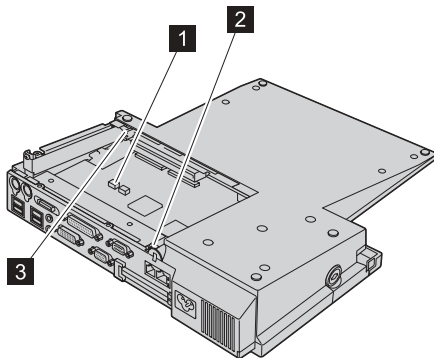
(1) The **LAN Wake connector** is where you connect the Wake on LAN[®] cable if you install the PCI card with Wake on LAN function.

(2) By setting the **PC Card lock** to the locked position, you can secure the PC Card.

(3) When you set the **bay device lock** to the locked position, the device release lever is locked to secure the device in the Ultrabay 2000.

Note: To lock the Ultrabay 2000 device, you can use either the bay device lock or the security keyhole for the Ultrabay 2000 device.

ThinkPad Dock II



(1) The **LAN Wake connector** is where you connect the Wake on LAN cable if you install the PCI card with the Wake on LAN function.

(2) By setting the **PC Card lock** to the locked position, you can secure the PC Card.

(3) When you set the **bay device lock** to the locked position, the bay latch is locked to secure the device in the Ultrabay 2000.

Chapter 2. Using the ThinkPad Dock or the ThinkPad Dock II

Docking

Preparing for docking

Note: Docking before installing the CMD IDE driver may cause system problems. Install the driver first. If you have a problem, try to recover by shutting down, undocking, and turning on the system. To update or install the driver for Windows 98, run Setup.exe before docking (refer to the “Installing device drivers” section of your on-line help system).

For Windows 2000

If this is your first time to dock your computer in a ThinkPad Dock or a ThinkPad Dock II, prepare your computer as follows:

- Check whether the CMD IDE driver is already installed in your computer, by the procedure given in “Checking whether the device driver is already installed in your system” for Windows 2000.
- If the device driver is installed, create the hardware profile for the dock configuration, by the procedure given in “Creating the hardware profile for the dock configuration” on page 10 with Windows 2000.
- If the device driver is not installed, install it as instructed in the “Installing device drivers” section of your on-line help system. Then create the hardware profile for the dock configuration, by the procedure given in the “Creating the hardware profile for the dock configuration” on page 10 with Windows 2000.

Checking whether the device driver is already installed in your system

1. Hold the Ctrl key down; then press the Esc key.
2. Click **Search**.
3. Click **For Files or Folders**.
4. In the **Search for files or folders named** field, type cmdide.sys
5. Click the arrow in the **Look in** field, and choose **Local Harddrives [C;:...]**.
6. Make sure that the **Search Subfolders** check box is marked.
By checking the **Advanced Options** check box under **Search Options <<**, you can see the **Search Subfolders** check box.
7. Click **Search Now**.
If the file named cmdide.sys is found, the device driver is already installed in your system.

Creating the hardware profile for the dock configuration

1. Turn off the computer.
2. Dock the computer in the ThinkPad Dock or the ThinkPad Dock II.
3. Turn on the computer.
The screen is in the VGA mode. When the **Found New Hardware** window appears, the hardware profile is created automatically.
4. Change the screen settings by using the **Display Properties** window.

Tuning the driver

By default, the Ultrabay 2000 drive within the ThinkPad Dock or the ThinkPad Dock II is set up in the PIO transfer mode. This is due to the driver design. For applications such as viewing a DVD and writing a CD-RW, the Ultrabay 2000 drive has to be set up in the DMA transfer mode.

1. Click **Start -> Settings -> Control Panel**.
2. Double-click the **System** icon.
3. Click the **Hardware** tab.
4. Click the **Device Manager** button.
5. Click **View**.
6. Click **Devices by Type**.
7. Click + at the left of the "IDE ATA/ATAPI controllers."
8. Double-click the second **Primary IDE Channel**.
9. Click the **Advanced Settings** tab.
10. Click the down arrow at the Transfer Mode in the Device 0.
11. Select "DMA if available."
12. Restart the system.

Attention: With some Ultrabay 2000 devices and application software, tuning the transfer mode may cause unexpected trouble. In such a case, change the transfer mode back to PIO.

For Windows XP

You do not need to install any additional device driver for the docking station CMD IDE controller under Windows XP. Dock your computer in the ThinkPad Dock or the ThinkPad Dock II, and create a hardware profile for the dock configuration with Windows XP.

1. Turn off the computer.
2. Dock the computer in the ThinkPad Dock or the ThinkPad Dock II.
3. Turn on the computer. The screen is in the VGA mode. When the **Found New Hardware** window appears, the hardware profile is created automatically.
4. Change the screen settings by using the **Display Properties** window.

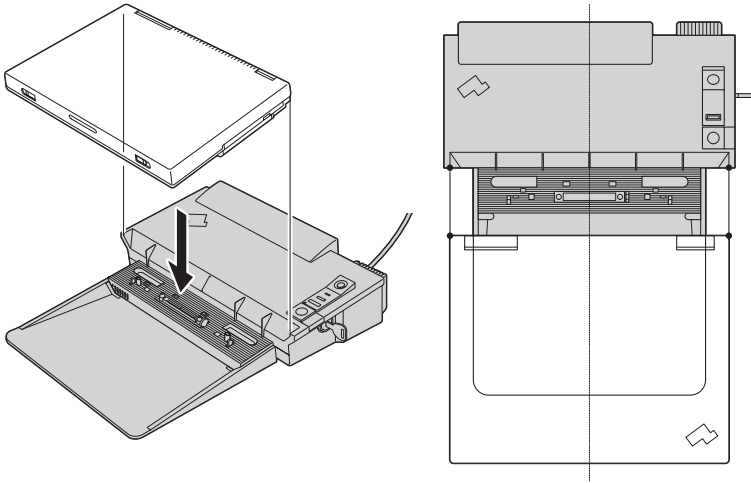
Docking your computer in the ThinkPad Dock or the ThinkPad Dock II

ThinkPad Dock

To dock your computer in a ThinkPad Dock, do the following:

Note: Before you start, refer to “Preparing for docking” on page 9.

1. Turn off the computer.
Note: If you are using Windows 2000 or Windows 98, you can dock your computer in the ThinkPad Dock either when the computer is in standby mode or when it is operating.
2. Make sure that the power cord is connected to the ThinkPad Dock.
3. Make sure that the system lock key of the ThinkPad Dock is in place and in the unlocked (vertical) position.
4. Put your computer on the platform of the ThinkPad Dock, making sure that the docking connector on the bottom of your computer and that on the ThinkPad Dock are aligned with each other.



5. Press firmly on both sides of your computer until you hear a click. The computer is now docked in the ThinkPad Dock.

ThinkPad Dock II

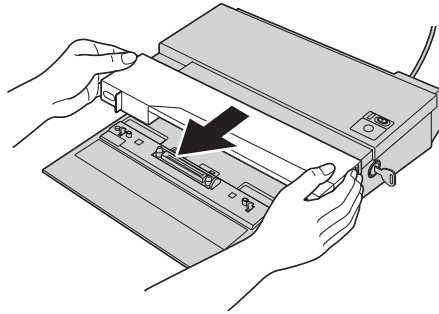
To dock your computer in a ThinkPad Dock II, do the following:

Attention: If you are using Windows 98, make sure that the device driver is already installed in your computer. Docking without the correct device driver may cause problems.

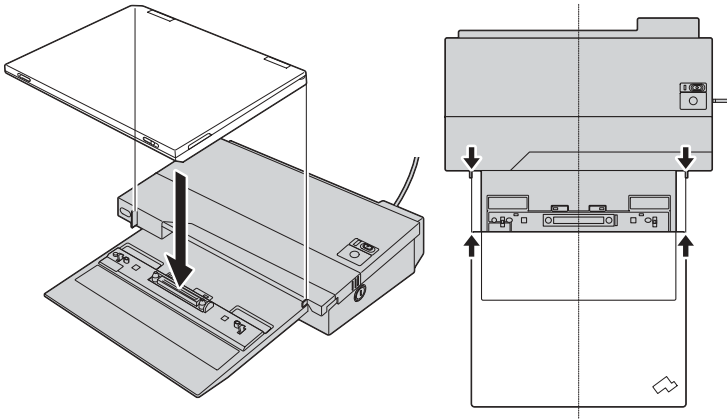
1. Turn off the computer.

Note: If you are using Windows XP, Windows 2000, or Windows 98, you can dock your computer in the ThinkPad Dock II either when the computer is in standby mode or when it is operating.

2. Make sure that the power cord is connected to the ThinkPad Dock II.
3. Make sure that the system lock key of the ThinkPad Dock II is in place and in the locked (vertical) position.
4. Slide forward the sliding adjuster at the top of the ThinkPad Dock II.



5. Put your computer on the platform of the ThinkPad Dock II, making sure that the docking connector on the bottom of your computer and that on the ThinkPad Dock II are aligned with each other.



6. Press firmly on both sides of your computer until you hear a click. The computer is now docked in the ThinkPad Dock II.

Undocking

ThinkPad Dock

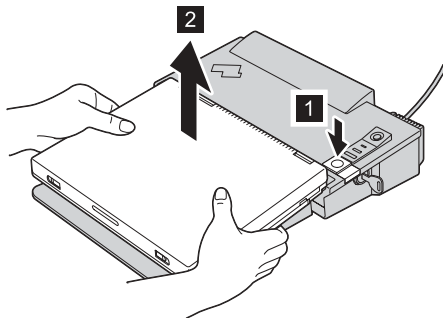
To undock your computer from the ThinkPad Dock, do the following:

1. Make sure that:
 - The devices connected to the USB, serial, and parallel connectors are not in use.
 - The connection to a modem or an Ethernet port has ended.
2. Make sure that the system lock key of the ThinkPad Dock is in the unlocked (vertical) position.
3. Check to see whether the computer is in the **Docked Config** status. It is in that status if either of the following is true:
 - **Eject PC** is shown in the **Start** menu (if the computer display is on).
 - The docking indicator on the ThinkPad Dock is on.
4. If the computer is in the **Docked Config** status, press the eject request button on the ThinkPad Dock; then make sure that the docking indicator turns off. If the computer is operating, you can select **Eject PC** in the **Start** menu at the lower left of the screen instead of pressing the eject request button.

Note: Make sure that the undock request to the OS is fulfilled and the Docking Indicator turns off.

If the computer is not in the **Docked Config** status, go to the next step.

5. Press the release button (1) of the ThinkPad Dock until the computer moves up; then, **grasping both sides**, remove the computer (2).



If the undock request to the OS fails, turn off the computer and undock the ThinkPad Dock.

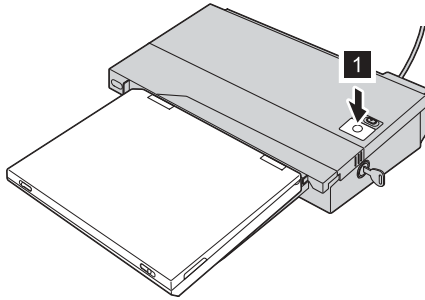
Note: If you are using Microsoft Windows NT® Workstation version 4.0, turn off the computer before pressing the release button of the ThinkPad Dock.

ThinkPad Dock II

If you are using Windows XP, Windows 2000, or Windows 98, you can undock your computer regardless of its power state. Otherwise, you need to shut down the system. For more information, see “Options for undocking” on page 16.

To undock your computer from the ThinkPad Dock II, do the following:

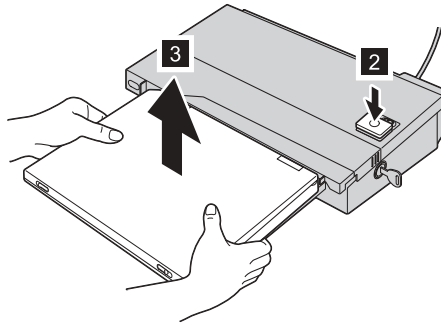
1. Make sure that:
 - The devices connected to USB, serial, and parallel connectors are not in use.
 - The connection to a modem or an Ethernet port has been ended.
2. Make sure that the system lock key of the ThinkPad Dock II is in place and in the unlocked (vertical) position.
3. Check to see whether the computer is in the **Docked Config** status. It is in that status if either of the following is true:
 - **Eject PC** is shown in the **Start** menu (if the computer display is on).
 - The docking indicator on the ThinkPad Dock II is on.
4. If the computer is in the **Docked Config** status, press the pop-up eject button (1) on the ThinkPad Dock II; then make sure that the docking indicator turns off, and the eject button pops up. If the computer is operating, you can select **Eject PC** in the **Start** menu at the lower left of the screen instead of pressing the eject button.



Note: Make sure that the undock request to the OS is fulfilled and the Docking Indicator turns off.

If the computer is not in the **Docked Config** status, go to the next step.

5. Press the eject button again (2) until the computer moves up; then, grasping both sides, remove the computer (3).



If the undock request fails, turn off the computer and undock the ThinkPad Dock II.

Note: If you are using Windows NT version 4.0, turn off the computer before pressing the eject button of the ThinkPad Dock II.

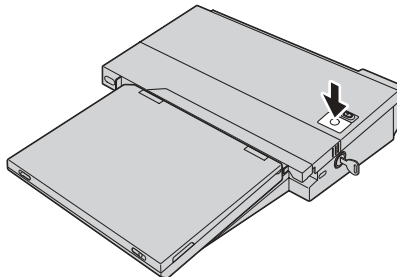
Emergency eject

Only ThinkPad Dock II has this function.

When no ac power is supplied, the eject button does not pop up automatically. To make it pop up, follow the procedure below.

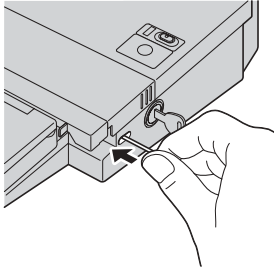
Note: Make sure that the system lock key is in place and in the unlocked (vertical) position. The eject button does not pop up while the key is removed or in the locked (horizontal) position.

1. Press the eject button.

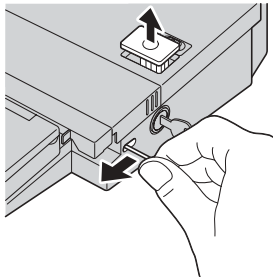


2. A release pin is included in the package of the ThinkPad Dock II. Insert it into the emergency eject hole, which is to the left of the system lock

keyhole.



3. Using the release pin, move the small silver plate in the hole to the left. The eject button pops up.



Options for undocking

Using the ThinkPad Configuration Program, you can specify what power state your computer is to be in when you undock it from the docking station.

Note: This function is supported in Windows XP or Windows 2000.

The following are the options you can select:

- Hot undocking
- Suspend when undocking
- Hibernate when undocking

To specify the option, do as follows:

1. Open the ThinkPad Configuration Program.
2. Click the **Power Management** icon.
3. Click the **Suspend/Hibernate Options** tab, and select one of the options in the window.

Inserting the PCI Card



DANGER

A high-voltage electric current might exist on the ThinkPad Dock or the ThinkPad Dock II. To avoid shock hazard, do the following before you install a short PCI card:

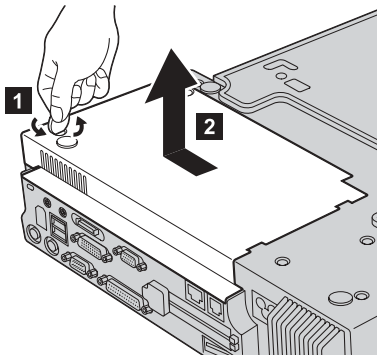
- Undock the ThinkPad computer from the ThinkPad Dock or the ThinkPad Dock II.
- Remove the power cord from the ThinkPad Dock or the ThinkPad Dock II.
- Remove all cables from the ThinkPad Dock or the ThinkPad Dock II.
- Remove all the peripheral devices from the ThinkPad Dock or the ThinkPad Dock II.

The ThinkPad Dock or the ThinkPad Dock II accepts a short card, no longer than 6.9 in. (174 mm) length form factor.

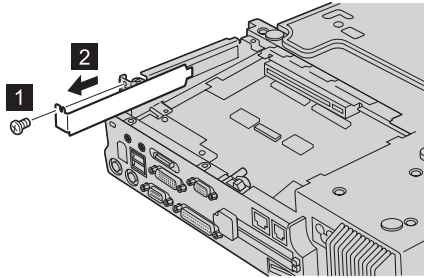
To install a short card, do the following:

ThinkPad Dock

1. Turn the ThinkPad Dock upside down and loosen the screw (1); then remove the bottom cover (2).

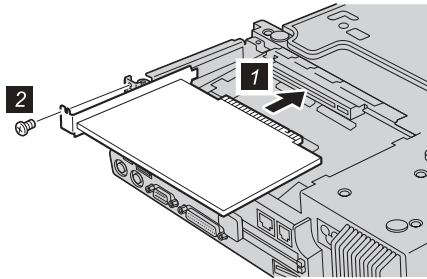


2. Loosen the screw (1); then remove the slot cover (2).

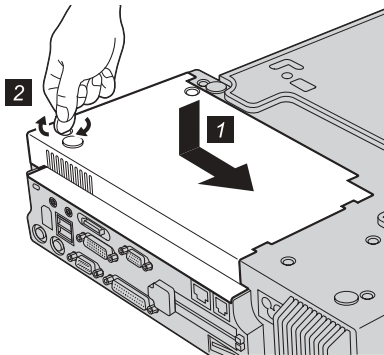


3. Install the PCI card and connect it firmly (1); then reinstall the screw (2).

Note: If you install the PCI card with Wake on LAN, you can connect the Wake on LAN cable to the LAN Wake connector of the ThinkPad Dock and the connector of the card. For details, refer to the user's guide for the card.

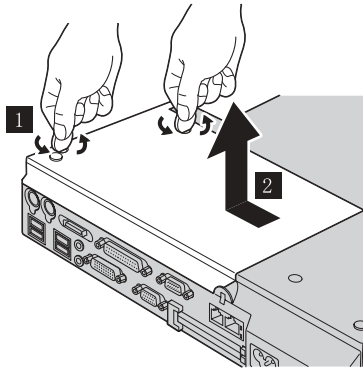


4. Reinstall the bottom cover (1) and tighten the screw (2).

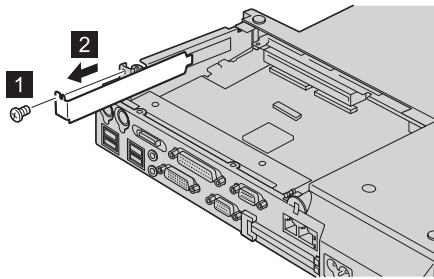


ThinkPad Dock II

1. Turn the ThinkPad Dock II upside down and loosen the screws (1); then remove the bottom cover (2).

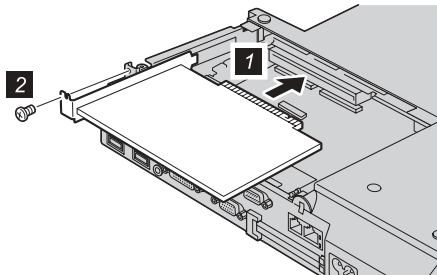


2. Loosen the screw (1); then remove the slot cover (2).

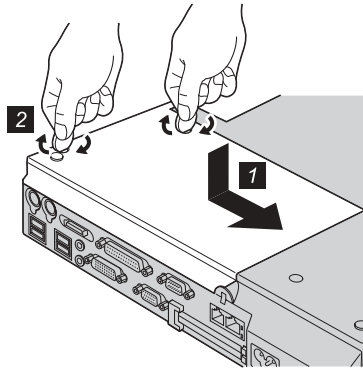


3. Install the PCI card and connect it firmly (1); then reinstall the screw (2).

Note: If you install the PCI card with Wake on LAN, you can connect the Wake on LAN cable to the LAN Wake connector of the ThinkPad Dock II and the connector of the card. For details, refer to the user's guide for the card.



4. Reinstall the bottom cover (1) and tighten the screws (2).



To remove the card, reverse the above procedure.

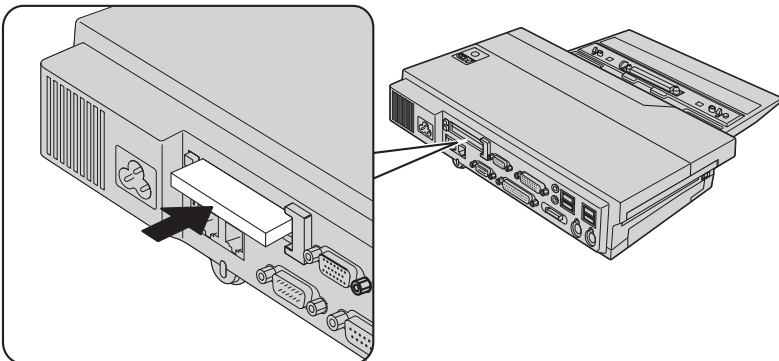
Inserting the PC Card

Notes:

1. The slots that the ThinkPad Dock or the ThinkPad Dock II have for the PC Cards are the same as those on the computer. For details on how to insert or remove the card, refer to the “Installing a card” section of your on-line help system.
2. If the PC Card lock is set in the locked position, you cannot insert or remove the PC Card. Unlock the PC Card lock.

The following drawings are for the ThinkPad Dock II. The procedure is the same for the ThinkPad Dock.

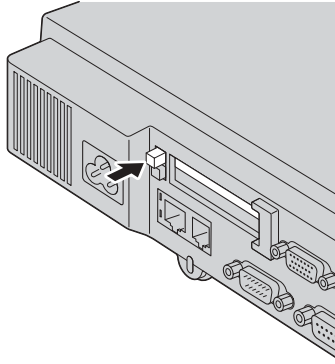
Insert the PC Card into the PC Card slot, as shown in the figure below, and press it firmly into place.



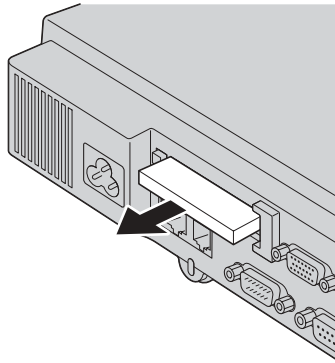
To secure the PC Card, refer to “Using the PC Card lock” on page 29.

To remove the PC Card from the PC Card slot, do as follows:

1. Stop the card. Refer to the “Removing the card” section of your on-line help system.
2. Press the PC Card eject button.



3. Remove the PC Card.



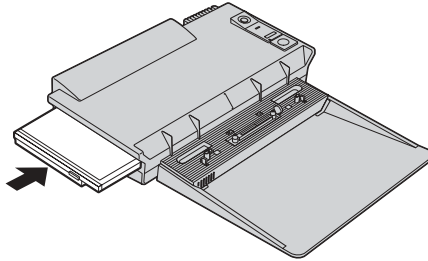
Using a device in the bay

The Ultrabay 2000 of the ThinkPad Dock or the ThinkPad Dock II supports an Ultrabay 2000 device, except for a second battery.

Attention: The Ultrabay 2000 supports warm swap of devices, but the Ultrabay 2000 of the ThinkPad Dock or the ThinkPad Dock II does not. Do not remove a device from the Ultrabay 2000 while the docking indicator is turned on. If you do, the computer might not respond or reset.

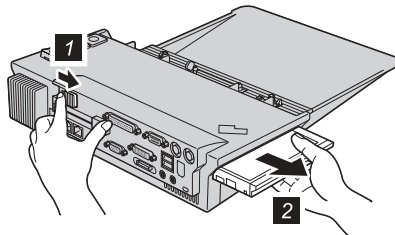
ThinkPad Dock

Insert a device into the Ultrabay 2000 as shown in the figure. Connect the device firmly.



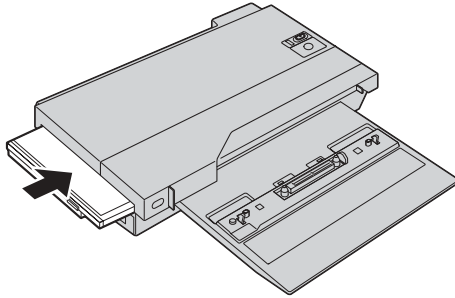
To eject a device from the Ultrabay 2000, slide the device release lever (1) to the right, and then remove the device (2).

Note: If you set the bay device lock to the locked position, or attach the mechanical lock to the security keyhole next to the device release lever, you cannot move the lever. Set the bay device lock to the unlocked position (refer to “Using the bay device lock” on page 25).



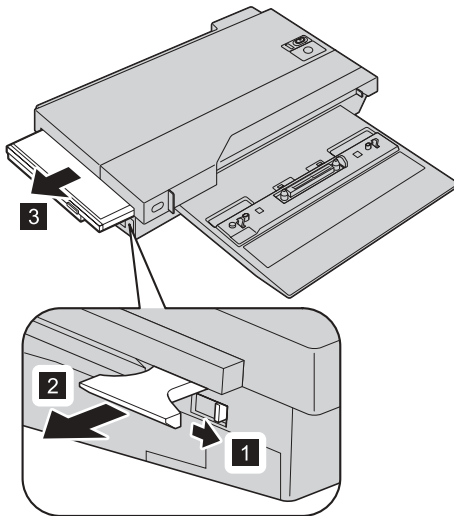
ThinkPad Dock II

Insert a device into the Ultrabay 2000 as shown in the figure. Connect the device firmly.



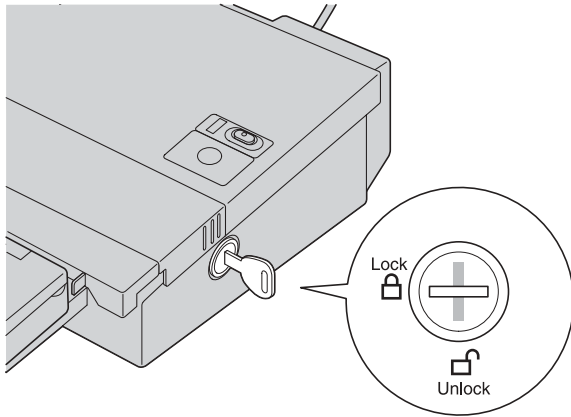
To eject a device from the Ultrabay 2000, slide the bay latch (1) to pop out the handle. Pull the handle until it stops (2), and then remove the device (3).

Note: If you set the bay device lock to the locked position, the handle will not pop out. To make it pop, set the bay device lock to the unlocked position.



Using the system lock key

The system lock key has two positions, unlocked and locked.



The drawing is for the ThinkPad Dock II.

When the key is in the unlocked position, you cannot remove it. When it is in the locked position, you can remove it; the release button of the ThinkPad Dock or the eject button of the ThinkPad Dock II is locked, and you cannot remove your computer.

Using the bay device lock

To secure the Ultrabay 2000 device to the ThinkPad Dock, you can lock the release lever. There are two ways to lock it:

- You can use the bay device lock, which is inside the bottom cover of the docking station.
- If the bay device lock is not locked, you can use the security keyhole next to the device release lever.

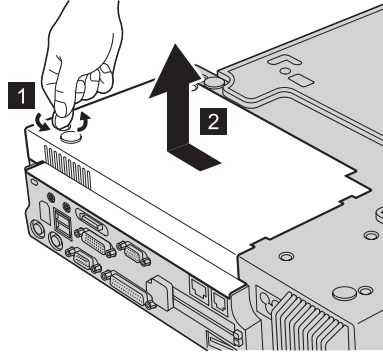
Whichever of these locks you use, it should always be used along with a mechanical lock.

To secure the Ultrabay 2000 device to the ThinkPad Dock II, set the bay device lock to the locked position. The handle for the bay device tray will be locked and will not come out.

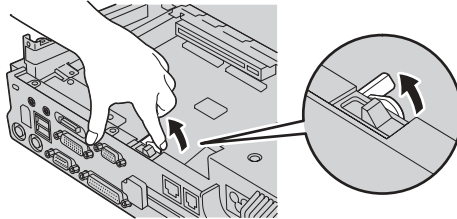
To use the bay device lock, do as follows.

ThinkPad Dock

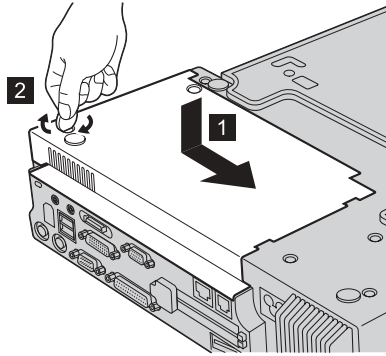
1. Turn the docking station upside down. Loosen the screw (1) and remove the bottom cover (2).



2. Set the bay device lock to the locked position.



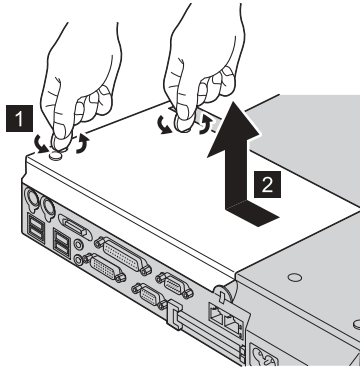
3. Reinstall the bottom cover (1) and tighten the screw (2).



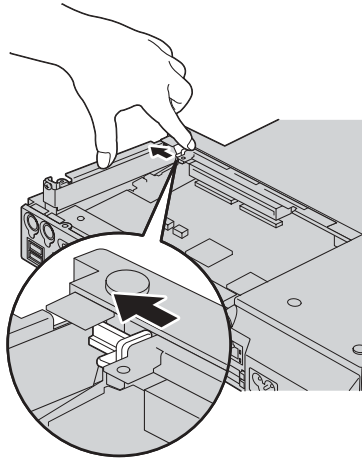
4. Turn the docking station right side up, and attach a mechanical lock to the security keyhole (refer to “Attaching a mechanical lock” on page 24).

ThinkPad Dock II

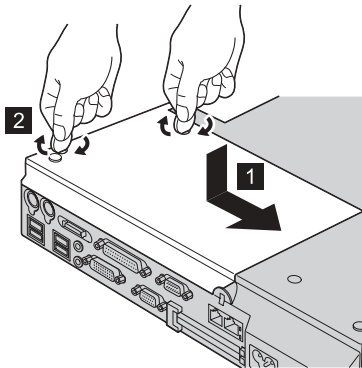
1. Turn the docking station upside down. Loosen the screws (1) and remove the bottom cover (2).



2. Set the bay device lock to the locked position.



3. Reinstall the bottom cover (1) and tighten the screws (2).



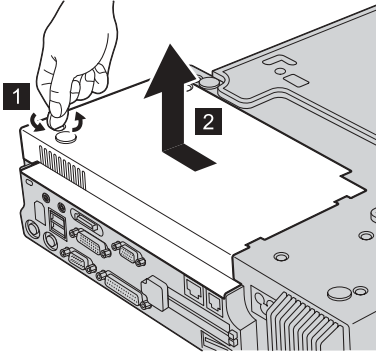
4. Turn the docking station right side up, and attach a mechanical lock to the security keyhole (refer to “Attaching a mechanical lock” on page 24).

Using the PC Card lock

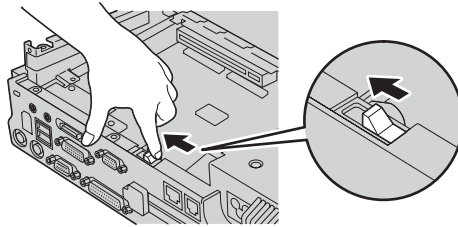
To secure PC Cards in the PC Card slots, set the PC Card lock to the locked position and attach the mechanical lock to the security keyhole as follows:

ThinkPad Dock

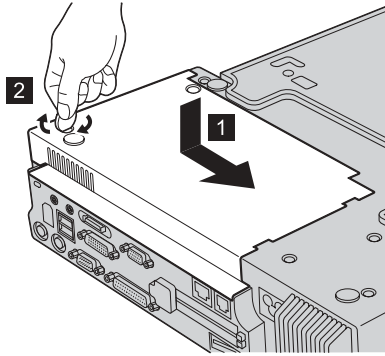
1. Turn the ThinkPad Dock upside down. Loosen the screw (1) and remove the bottom cover (2).



2. Set the PC Card lock to the locked position.



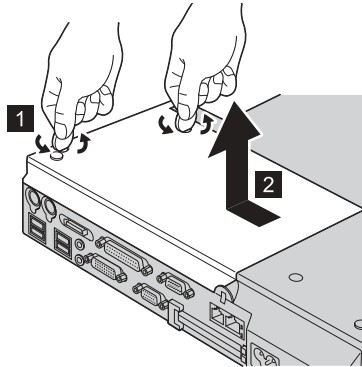
3. Reinstall the bottom cover (1) and tighten the screw (2).



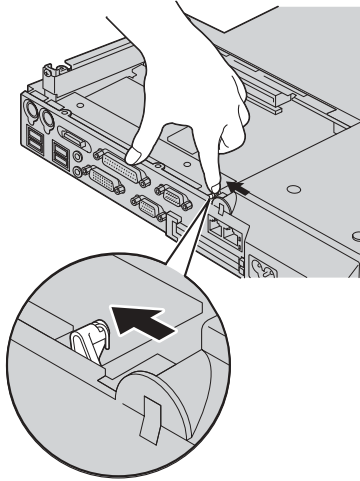
4. Turn the ThinkPad Dock right side up and attach the mechanical lock to the security keyhole (see “Attaching a mechanical lock” on page 24).

ThinkPad Dock II

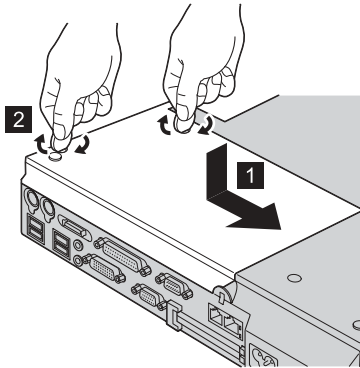
1. Turn the ThinkPad Dock II upside down. Loosen the screws (1) and remove the bottom cover (2).



2. Set the PC Card lock to the locked position.



3. Reinstall the bottom cover (1) and tighten the screws (2).



4. Turn the ThinkPad Dock II right side up and attach the mechanical lock to the security keyhole (see “Attaching a mechanical lock” on page 24).

Trademarks

The following terms are trademarks of the IBM Corporation in the United States or other countries or both:

IBM
ThinkPad
Ultrabay
Wake on LAN

Microsoft, Windows and Windows NT are trademarks of Microsoft Corporation in the United States, other countries, or both.

Other company, product, and service names may be trademarks or service marks of others.



Part Number: 92P1839

Printed in U.S.A.

(1P) P/N: 92P1839

