



xSeries 225 Type 8649

Installation Guide

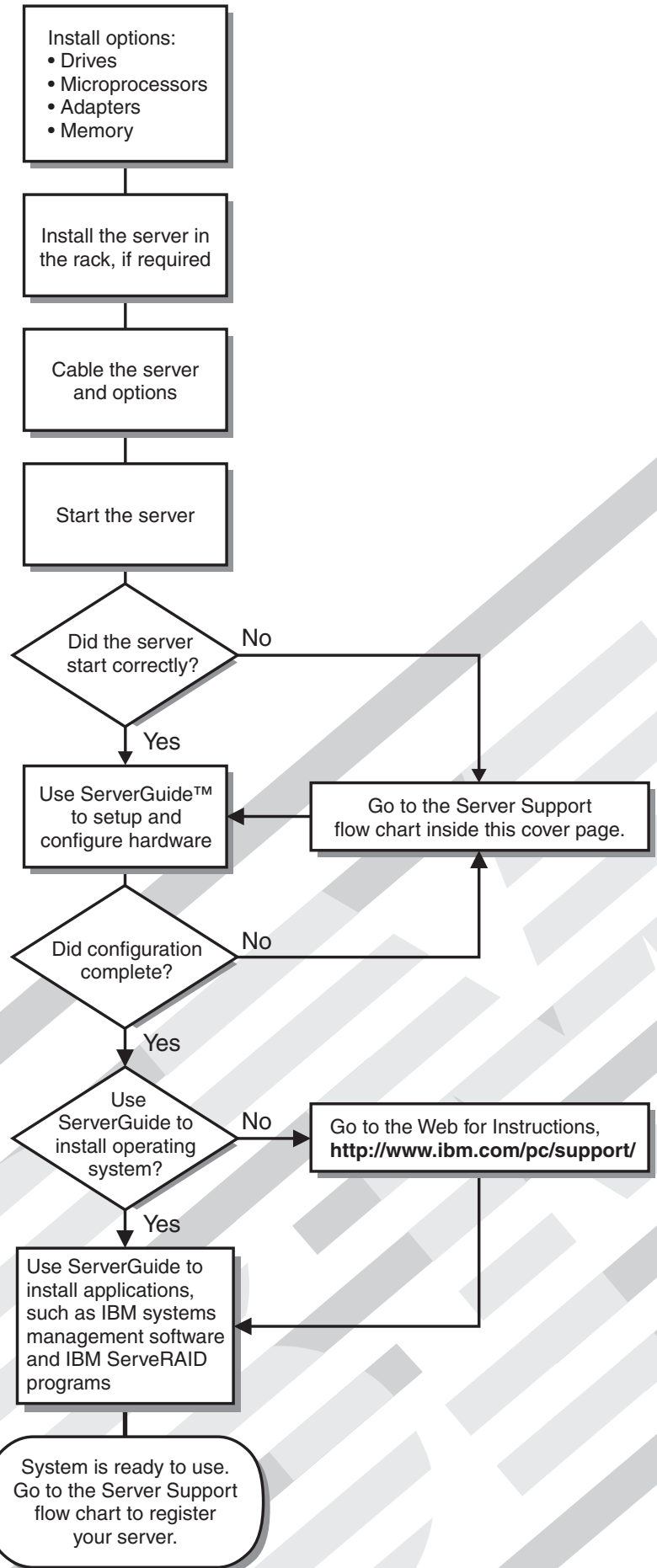
Welcome...

Thank you for buying an IBM xSeries server.

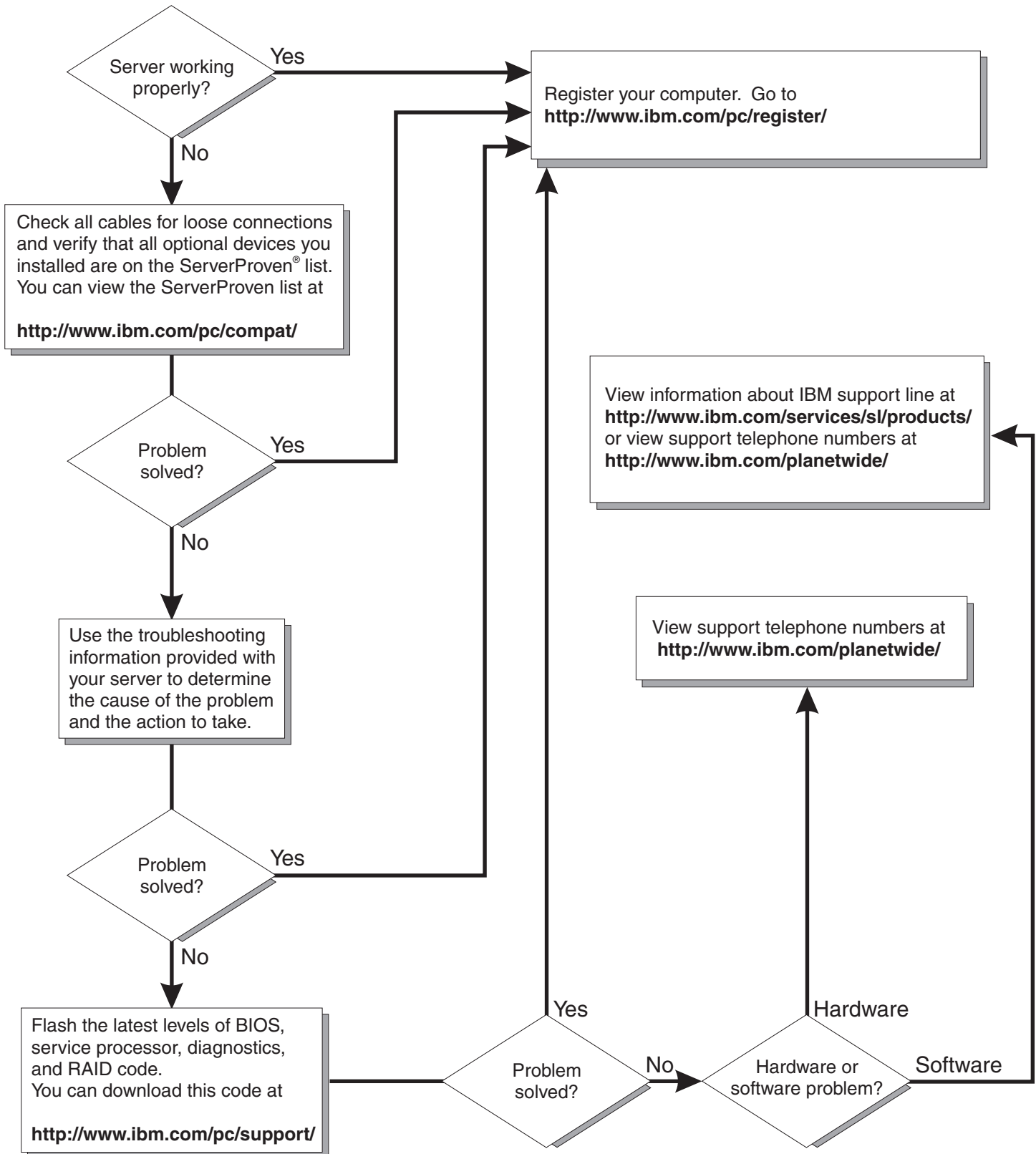
This server *Installation Guide* contains information for setting up and configuring your server.

For detailed information about your server, view the *User's Guide* on the Documentation CD.

You can also find the most current information about your server on the IBM Web site at: <http://www.ibm.com/pc/support>



Server Support





@server

xSeries 225

Type 8649

Installation Guide

Note:

Before using this information and the product it supports, read the general information in Appendix B, "IBM Statement of Limited Warranty Z125-4753-07 11/2002," on page 63 and Appendix C, "Notices," on page 79.

First Edition (February 2004)

© Copyright International Business Machines Corporation 2004. All rights reserved.

US Government Users Restricted Rights – Use, duplication or disclosure restricted by GSA ADP Schedule Contract with IBM Corp.

Contents

| | |
|--|----|
| Safety | v |
| Chapter 1. Introduction | 1 |
| The IBM xSeries Documentation CD | 2 |
| Hardware and software requirements | 2 |
| Using the Documentation Browser | 2 |
| Notices and statements used in this publication | 3 |
| Features and specifications | 4 |
| Major components of your server | 5 |
| System-board option connectors | 6 |
| System-board internal connectors | 7 |
| System-board external connectors | 7 |
| System-board error LEDs | 8 |
| Chapter 2. Installing options | 9 |
| Installation guidelines | 9 |
| System reliability guidelines | 9 |
| Working inside the server with the power on | 10 |
| Handling static-sensitive devices | 10 |
| Removing the side cover | 11 |
| Removing the bezel | 12 |
| Removing and installing the support bracket | 13 |
| Working with adapters | 14 |
| Adapter considerations | 14 |
| Installing an adapter | 15 |
| Cabling an optional SCSI adapter | 18 |
| Installing internal drives | 19 |
| Internal drive bays | 19 |
| Preinstallation steps | 21 |
| Installing a drive in bay 2 | 21 |
| Installing a non-hot-swap hard disk drive | 23 |
| Power and signal cables for internal drives | 25 |
| Installing a hot-swap drive | 26 |
| SCSI IDs for hot-swap hard disk drives | 27 |
| Installing memory modules | 28 |
| Installing an additional microprocessor | 30 |
| Installing a security rope clip | 33 |
| Completing the installation | 34 |
| Replacing the bezel | 34 |
| Replacing the side cover | 35 |
| Cabling the server | 36 |
| Updating your server configuration | 36 |
| Chapter 3. Server controls, LEDs, and power | 37 |
| Controls and LEDs | 37 |
| Server power features | 38 |
| Turning on the server | 38 |
| Turning off the server | 39 |
| Chapter 4. Configuring the server | 41 |
| Using the ServerGuide Setup and Installation CD | 41 |
| Using the Configuration/Setup Utility program | 42 |
| Using the RAID configuration programs | 42 |

| | |
|---|-----------|
| Using the LSI Logic Configuration Utility program | 43 |
| Using ServeRAID Manager | 43 |
| Chapter 5. Updating IBM Director | 51 |
| Chapter 6. Solving problems | 53 |
| Diagnostic tools overview | 53 |
| Power-on self-test (POST). | 54 |
| POST beep codes | 54 |
| POST error messages | 54 |
| ServerGuide problems | 55 |
| Troubleshooting charts | 56 |
| CD-ROM drive problems | 56 |
| Diskette drive problems. | 56 |
| Hard disk drive problems | 56 |
| Keyboard, mouse, or pointing-device problems | 57 |
| Memory problems | 57 |
| Microprocessor problems | 57 |
| Monitor problems | 58 |
| Power problems | 59 |
| System-board error LEDs | 59 |
| Appendix A. Getting help and technical assistance | 61 |
| Before you call | 61 |
| Using the documentation | 61 |
| Getting help and information from the World Wide Web | 62 |
| Software service and support | 62 |
| Hardware service and support | 62 |
| Appendix B. IBM Statement of Limited Warranty Z125-4753-07 11/2002 | 63 |
| Part 1 - General Terms | 63 |
| Part 2 - Country-unique Terms | 66 |
| Part 3 - Warranty Information | 77 |
| Appendix C. Notices | 79 |
| Edition notice | 80 |
| Trademarks | 80 |
| Important notes. | 81 |
| Product recycling and disposal | 81 |
| Battery return program | 82 |
| Electronic emission notices | 82 |
| Federal Communications Commission (FCC) statement | 82 |
| Industry Canada Class A emission compliance statement | 83 |
| Australia and New Zealand Class A statement | 83 |
| United Kingdom telecommunications safety requirement. | 83 |
| European Union EMC Directive conformance statement. | 83 |
| Taiwanese Class A warning statement | 83 |
| Chinese Class A warning statement | 84 |
| Japanese Voluntary Control Council for Interference (VCCI) statement | 84 |
| Power cords | 84 |
| Index | 87 |

Safety

Before installing this product, read the Safety Information.

قبل تركيب هذا المنتج، يجب قراءة الملاحظات الأمنية

Antes de instalar este produto, leia as Informações de Segurança.

在安装本产品之前，请仔细阅读 **Safety Information** (安全信息)。

安裝本產品之前，請先閱讀「安全資訊」。

Prije instalacije ovog produkta obavezno pročitajte Sigurnosne Upute.

Před instalací tohoto produktu si přečtěte příručku bezpečnostních instrukcí.

Læs sikkerhedsforskrifterne, før du installerer dette produkt.

Lees voordat u dit product installeert eerst de veiligheidsvoorschriften.

Ennen kuin asennat tämän tuotteen, lue turvaohjeet kohdasta Safety Information.

Avant d'installer ce produit, lisez les consignes de sécurité.

Vor der Installation dieses Produkts die Sicherheitshinweise lesen.

Πριν εγκαταστήσετε το προϊόν αυτό, διαβάστε τις πληροφορίες ασφάλειας (safety information).

לפני שתתקינו מוצר זה, קראו את הוראות הבטיחות.

A termék telepítése előtt olvassa el a Biztonsági előírásokat!

Prima di installare questo prodotto, leggere le Informazioni sulla Sicurezza.

製品の設置の前に、安全情報をお読みください。

본 제품을 설치하기 전에 안전 정보를 읽으십시오.

Пред да се инсталира овој продукт, прочитајте информацијата за безбедност.

Les sikkerhetsinformasjonen (Safety Information) før du installerer dette produktet.

Przed zainstalowaniem tego produktu, należy zapoznać się z książką "Informacje dotyczące bezpieczeństwa" (Safety Information).

Antes de instalar este produto, leia as Informações sobre Segurança.

Перед установкой продукта прочтите инструкции по технике безопасности.

Pred inštaláciou tohto zariadenia si pečítajte Bezpečnostné predpisy.

Pred namestitvijo tega proizvoda preberite Varnostne informacije.

Antes de instalar este producto, lea la información de seguridad.

Läs säkerhetsinformationen innan du installerar den här produkten.

Statement 1:



DANGER

Electrical current from power, telephone, and communication cables is hazardous.

To avoid a shock hazard:

- **Do not connect or disconnect any cables or perform installation, maintenance, or reconfiguration of this product during an electrical storm.**
- **Connect all power cords to a properly wired and grounded electrical outlet.**
- **Connect to properly wired outlets any equipment that will be attached to this product.**
- **When possible, use one hand only to connect or disconnect signal cables.**
- **Never turn on any equipment when there is evidence of fire, water, or structural damage.**
- **Disconnect the attached power cords, telecommunications systems, networks, and modems before you open the device covers, unless instructed otherwise in the installation and configuration procedures.**
- **Connect and disconnect cables as described in the following table when installing, moving, or opening covers on this product or attached devices.**

To Connect:

1. Turn everything OFF.
2. First, attach all cables to devices.
3. Attach signal cables to connectors.
4. Attach power cords to outlet.
5. Turn device ON.

To Disconnect:

1. Turn everything OFF.
2. First, remove power cords from outlet.
3. Remove signal cables from connectors.
4. Remove all cables from devices.

Statement 2



CAUTION:

When replacing the lithium battery, use only IBM Part Number 33F8354 or an equivalent type battery recommended by the manufacturer. If your system has a module containing a lithium battery, replace it only with the same module type made by the same manufacturer. The battery contains lithium and can explode if not properly used, handled, or disposed of.

Do not:

- Throw or immerse into water.
- Heat to more than 100°C (212°F)
- Repair or disassemble

Dispose of the battery as required by local ordinances or regulations.

Statement 3



CAUTION:

When laser products (such as CD-ROMs, DVD drives, fiber optic devices, or transmitters) are installed, note the following:

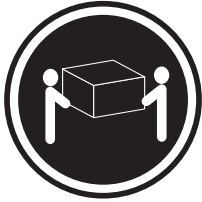
- Do not remove the covers. Removing the covers of the laser product could result in exposure to hazardous laser radiation. There are no serviceable parts inside the device.
- Use of controls or adjustments or performance of procedures other than those specified herein might result in hazardous radiation exposure.



Danger

Some laser products contain an embedded Class 3A or Class 3B laser diode. Note the following. Laser radiation when open. Do not stare into the beam, do not view directly with optical instruments, and avoid direct exposure to the beam.

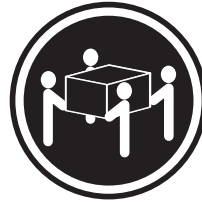
Statement 4



≥18 kg (39.7 lb)



≥32 kg (70.5 lb)



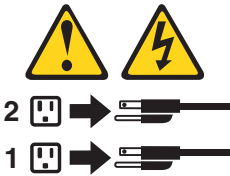
≥55 kg (121.2 lb)

CAUTION:
Use safe practices when lifting.

Statement 5:



CAUTION:
The power control button on the device and the power switch on the power supply do not turn off the electrical current supplied to the device. The device also might have more than one power cord. To remove all electrical current from the device, ensure that all power cords are disconnected from the power source.



Statement 8



CAUTION:
Never remove the cover on a power supply or any part that has the following label attached.



Hazardous voltage, current, and energy levels are present inside any component that has this label attached. There are no serviceable parts inside these components. If you suspect a problem with one of these parts, contact a service technician.

Statement 12:



CAUTION:

The following label indicates a hot surface nearby.



Statement 13:



DANGER

Overloading a branch circuit is potentially a fire hazard and a shock hazard under certain conditions. To avoid these hazards, ensure that your system electrical requirements do not exceed branch circuit protection requirements. Refer to the information that is provided with your device for electrical specifications.

Statement 15



CAUTION:

Make sure that the rack is secured properly to avoid tipping when the server unit is extended.

Statement 23



CAUTION:

Do not place any object weighing more than 50 kg (110 lb) on top of rack-mounted devices.



>50 kg (110 lb)

Declaración 23



PRECAUCIÓN:

No coloque ningún objeto que pese más de 50 kg (110 libras) encima de los dispositivos montados en bastidor.



>50 kg (110 libras)

Hinweis 23



ACHTUNG:

Keine Gegenstände, die mehr als 50 kg wiegen, auf Rack-Einheiten ablegen.



>50 kg

Notice n° 23



ATTENTION:

Ne posez pas d'objet dont le poids dépasse 50 kg sur les unités montées en armoire.



>50 kg

Varningsmeddelande 23



VARNING:

Placera inte något föremål som väger mer än 50 kg ovanpå rackmonterade enheter.

Varningsmeddelande 23



>50 kg

Merknad 23



ADVARSEL:

Ikke sett gjenstander som veier mer enn 50 kg oppå enheter som er montert i et kabinett.



>50 kg

Avviso 23



ATTENZIONE:

Non poggiare oggetti che pesano più di 50 kg sulla parte superiore delle unità montate in rack.



>50 kg

Turvaohje 23



Varoitus:

Telineeseen asennettujen laitteiden päälle ei saa asettaa yli 50 kilon painoista esinettä.



>50 kg

Voorschrift 23



WAARSCHUWING:

Plaats geen objecten die meer dan 50 kg wegen op apparaten die in het rek zijn gemonteerd.



>50 kg

Forskrift 23



Pas på!:

Anbring ikke genstande, der vejer mere end 50 kg, oven på enheder, der er monteret i rack.



>50 kg

Instrução 23



CUIDADO:

Não coloque nenhum objeto com peso superior a 50 kg (110 lbs.) sobre dispositivos montados em rack.



>50 kg (110 lbs)

عبارة ٢٣



تنبيه :

لا تضع أي عنصر يزن أكثر من ٥٠ كيلوجرام
(١١٠ رطل) أعلى سطح الأجهزة.



أكبر من ٥٠ كيلوجرام (١١٠ رطل)

• Izjava br. 23



OPREZ:

Ne postavljajte predmete teže od 50 kg (110 funti) na ormar u koji su ugrađeni uređaji.



> 50 kg (110 lbs)

Δήλωση 23



ΠΡΟΣΟΧΗ:

Μην τοποθετείτε οποιοδήποτε αντικείμενο με βάρος μεγαλύτερο από 50 kg επάνω σε συσκευές που έχουν προσαρμοσθεί σε ικρίωμα (rack).



> 50 kg

הודעה 23



זהירות:

אל תניחו שם חפץ שמשקלו יותר מ-50 ק"ג על גבי התקנים המורכבים על מסדי מרזוזירית.



50 ק"ג

• 23. ismertető



FIGYELEM:

Keretszerelésű eszközök tetejére ne helyezzen olyan tárgyat, melynek súlya több, mint 50 kg (110 lbs.).



> 50 kg (110 lbs)

• 記述 23

⚠ 注意

ラック・モデルのサーバーの上に 50 Kg 以上の物を置かないでください。



> 50 Kg

경고문 23



주의:

서랍형 모델의 장치 상단에 50 kg(110 lbs.)이 넘는 물체를 올려 놓지 마십시오.



> 50 kg (110 lbs)

Instrukcja 23



ZAGROŻENIE:

Nie należy umieszczać przedmiotów cięższych niż 50 kg (110 funtów.)



> 50 kg (110 funtów)

· Положение 23



ОСТОРОЖНО:

Не ставьте предметы весом более 50 кг на верхнюю крышку устройств, смонтированных на выдвижных полках.



> 50 кг

声明 23



警告:

机柜安装的设备上面不能放置重于 50kg (110 磅) 的物品。



> 50 kg (110 磅)

• Príkaz 23



VÝSTRAHA:

Neumiestňujte žiadny predmet vážiaci viac ako 50 kg (110 lbs.) na vrch zariadenia montovaného do stojana.



> 50 kg (110 lbs)

• Navedba 23



SVARILO:

Ne postavljajte nobenega predmeta, ki je težji od 50 kg, na vrh naprav, montiranih v stojala.



> 50 kg (110 lbs)

聲明 23



注意：

請勿將任何重量超過 50 公斤 (110 磅) 的物品置於已安裝機架的裝置上方。



> 50 公斤 (110 磅)

Instrukce 23



POZOR:

Neumísťujte nic s hmotností vyšší než 50 kg navrch zařízení namontovaných do stojanu.



>50 kg (110 lbs)

- Инструкција 23



ПРЕДУПРЕДУВАЊЕ:

Не поставувајте предмети потешки од 50 кг. (110 lbs.) над уредите кои се монтирани во ормари.



>50 kg (110 lbs)

Instrução 23



CUIDADO:

Não coloque nenhum objeto com peso superior a 50 kg (110 lbs.) sobre dispositivos montados em rack.



>50 kg (110 lbs)

WARNING: Handling the cord on this product or cords associated with accessories sold with this product, will expose you to lead, a chemical known to the State of California to cause cancer, and birth defects or other reproductive harm. **Wash hands after handling.**

ADVERTENCIA: El contacto con el cable de este producto o con cables de accesorios que se venden junto con este producto, pueden exponerle al plomo, un

elemento químico que en el estado de California de los Estados Unidos está considerado como un causante de cancer y de defectos congénitos, además de otros riesgos reproductivos. ***Lávese las manos después de usar el producto.***

Important:

All caution and danger statements in this documentation begin with a number. This number is used to cross reference an English caution or danger statement with translated versions of the caution or danger statement in the IBM *Safety Information* book.

For example, if a caution statement begins with a number 1, translations for that caution statement appear in the IBM *Safety Information* book under statement 1.

Be sure to read all caution and danger statements in this documentation before performing the instructions. Read any additional safety information that comes with your server or optional device before you install the device.

Chapter 1. Introduction

This *Installation Guide* contains instructions for setting up your IBM® @server xSeries™ 225 Type 8649 server and basic instructions for installing some options. More detailed instructions for installing options are in the *Option Installation Guide* on the IBM *xSeries Documentation CD*, which comes with your server. This publication contains information about:

- Setting up and cabling your server
- Starting and configuring your server
- Installing some options
- Solving problems

Your server might have features that are not described in the documentation that you received with the server. The documentation might be updated occasionally to include information about those features, or technical updates might be available to provide additional information that is not included in your server documentation. These updates are available from the IBM Web site. Complete the following steps to check for updated documentation and technical updates:

1. Go to <http://www.ibm.com/pc/support/>.
2. In the **Learn** section, click **Online publications**.
3. On the "Online publications" page, in the **Brand** field, select **Servers**.
4. In the **Family** field, select **xSeries 225**.
5. Click **Display documents**.

Your server comes with an IBM *ServerGuide™ Setup and Installation CD* to help you configure the hardware, install device drivers, and install the operating system.

Your server comes with a limited warranty. You can obtain up-to-date information about your server and other IBM server products at <http://www.ibm.com/eserver/xseries/>.

Record information about your server in the following table. You will need this information when you register your server with IBM.

| | |
|--------------------------|---------------------------------|
| Product name | IBM @server xSeries® 225 server |
| Machine type | 8649 |
| Model number | _____ |
| Serial number | _____ |
| Key serial number | _____ |
| Key manufacturer | _____ |
| Key phone number | _____ |

The model number and serial number are on the bottom of the server and on the front of the server near the bottom of the bezel behind the door. The information label containing the serial number, machine type, model number, and agency marks for your server is on the bottom of the server, as shown in the following illustration.

Important: Your server keys cannot be duplicated by a locksmith. If you lose them, order replacement keys from the key manufacturer. The key serial number and the telephone number of the manufacturer are on a tag that is attached to the keys.

See the *Rack Installation Instructions* publication for complete rack installation and removal instructions.

If you plan to install your server in a rack, you must purchase a Tower-to-Rack Kit conversion kit. For a list of supported options for your server, see the ServerProven® list at <http://www.ibm.com/pc/compat/>.

The IBM xSeries Documentation CD

The IBM *xSeries Documentation* CD contains documentation for your server in Portable Document Format (PDF) and includes the IBM Documentation Browser to help you find information quickly.

Hardware and software requirements

The IBM *xSeries Documentation* CD requires the following minimum hardware and software:

- Microsoft Windows NT 4.0 (with Service Pack 3 or later), Windows 98, or Windows 2000.
- 100 MHz Intel Pentium microprocessor.
- 32 MB of RAM.
- Adobe Acrobat Reader 3.0 or later. Acrobat Reader software is included on the CD, and you can install it when you run the Documentation Browser.

Using the Documentation Browser

Use the Documentation Browser to browse the contents of the CD, read brief descriptions of the books, and view books using Adobe Acrobat Reader. The Documentation Browser automatically detects the regional settings in use in your system and displays the books in the language for that region (if available). If a book is not available in the language for that region, the English version is displayed.

Use one of the following procedures to start the Documentation Browser:

- If Autostart is enabled, insert the CD into your CD-ROM drive. The Documentation Browser starts automatically.
- If Autostart is disabled, insert the CD into your CD-ROM drive and click **Start --> Run**. In the **Open** field, type

```
e:\win32.bat
```

where *e* is the drive letter of your CD-ROM drive, and click **OK**.

Select your server from the **Product** menu. The **Available Topics** list displays all the books for your server. Some books might be in folders. A plus sign (+) indicates each folder or book that has additional books under it. Click the plus sign to display the additional books.

When you select a book, a description of the book appears under **Topic Description**. To select more than one book, press and hold the Ctrl key while you

select the books. Click **View Book** to view the selected book or books in Acrobat Reader. If you selected more than one book, all the selected books are opened in Acrobat Reader.

To search all the books, type a word or word string in the **Search** field and click **Search**. The books in which the word or word string appears are listed in order of the most occurrences. Click a book to view it, and press Ctrl+F to use the Acrobat search function within the book.

Click **Help** for detailed information about using the Documentation Browser.

Notices and statements used in this publication

The caution and danger statements that appear in this publication are also in the multilingual *Safety Information* publication, which is on the IBM *xSeries Documentation CD*. Each statement is numbered for reference to the corresponding statement in the *Safety Information* publication.

The following notices and statements are used in the documentation:

- **Notes:** These notices provide important tips, guidance, or advice.
- **Important:** These notices provide information or advice that might help you avoid inconvenient or problem situations.
- **Attention:** These notices indicate potential damage to programs, devices, or data. An attention notice is placed just before the instruction or situation in which damage could occur.
- **Caution:** These statements indicate situations that can be potentially hazardous to you. A caution statement is placed just before the description of a potentially hazardous procedure step or situation.
- **Danger:** These statements indicate situations that can be potentially lethal or extremely hazardous to you. A danger statement is placed just before the description of a potentially lethal or extremely hazardous procedure step or situation.

Features and specifications

The following table provides a summary of the features and specifications of your server. Depending on your server model, some features might not be available, or some specifications might not apply.

You can use the Configuration/Setup Utility program in your server to determine the specific type of microprocessor that is on the system board.

Table 1. Features and specifications

| | | |
|--|---|--|
| <p>Microprocessor:</p> <ul style="list-style-type: none"> • Intel™ Xeon Processor • 512 KB Level-2 or 1 MB Level-3 cache • 533 MHz front-side bus (FSB) • Support for up to two microprocessors <p>Memory:</p> <ul style="list-style-type: none"> • Minimum: 256 MB • Maximum: 8 GB • Type: PC2100, double-data-rate (DDR) • Connectors: four dual inline memory module (DIMM) connectors, two-way interleaved <p>Drives standard:</p> <ul style="list-style-type: none"> • Diskette: 1.44 MB (two mode) • CD-ROM: IDE <p>Expansion bays:</p> <ul style="list-style-type: none"> • Six open hot-swap, slim-high, 3.5-inch drive bays (some models) • Four slim-high, 3.5-inch drive bays with one hard disk drive installed (some models) • Two 5.25-inch bays (CD-ROM drive installed in one bay) • One 3.5-inch removable-media drive bay (diskette drive installed) <p>PCI expansion slots:</p> <ul style="list-style-type: none"> • Four PCI-X 100 MHz/64-bit • One PCI 33 MHz/32-bit <p>Cooling:</p> <p>Three or more speed-controlled fans</p> <p>Upgradeable microcode:</p> <p>BIOS upgrades (when available) can update EEPROMs on the system board</p> | <p>Integrated functions:</p> <ul style="list-style-type: none"> • Support for IBM® Remote Supervisor Adapter II • Broadcom 5703 10/100/1000 Ethernet controller on the system board with RJ-45 Ethernet port • Two serial ports • One parallel port • Integrated SCSI controller with RAID capabilities and two Ultra320 SCSI ports (one internal, one optional external) • Four Universal Serial Bus (USB) v2.0 ports (two on front and two on rear of enclosure) • Keyboard port • Mouse port • Audio ports (rear) <ul style="list-style-type: none"> – Line out – Mic – Line in • ATA-100 dual-channel IDE controller • ATI Rage XL video (mini-PCI) <ul style="list-style-type: none"> – Compatible with SVGA and VGA – 8 MB video memory <p>Diagnostic LEDs:</p> <ul style="list-style-type: none"> • Fans • Memory • Microprocessors • Hot-swap power supplies (some models) <p>Power supplies:</p> <ul style="list-style-type: none"> • Hot-swap (depending on your model) Your system might come with two 514 watt (115-230 V ac) output. Two power supplies provide redundant power. • Non-hot-swap (some models) One 425 watt output (115-230 V ac). <p>Size:</p> <ul style="list-style-type: none"> • Height: 440 mm (18.4 in.) • Depth: 660 mm (26 in.) • Width: 217 mm (6.5 in.) • Weight: 20 kg (44 lb) to 25.8 kg (57 lb) depending upon configuration | <p>Electrical input:</p> <ul style="list-style-type: none"> • Sine-wave input (50 or 60 Hz) required • Input voltage and frequency ranges automatically selected • Input voltage low range: <ul style="list-style-type: none"> – Minimum: 100 V ac – Maximum: 127 V ac • Input voltage high range: <ul style="list-style-type: none"> – Minimum: 200 V ac – Maximum: 240 V ac • Input kilovolt-amperes (kVA) approximately: <ul style="list-style-type: none"> – Minimum: 0.15 kVA (all models) – Maximum: 0.80 kVA <p>Heat output:</p> <p>Approximate heat output in British thermal units (Btu) per hour</p> <ul style="list-style-type: none"> • Minimum configuration: 341 Btu/hour (100 watts) • Maximum configuration: 2455 Btu/hour (720 watts) <p>Environment:</p> <ul style="list-style-type: none"> • Air temperature: <ul style="list-style-type: none"> – Server on: 10° to 35°C (50° to 95°F) – Altitude: 0 to 2134 m (7000 ft) – Server off: -40° to +60°C (-40° to 140°F) – Maximum altitude: 2133 m (7000 ft) • Humidity (operating and storage): 8% to 80% <p>Acoustical noise emissions:</p> <ul style="list-style-type: none"> • Non-redundant <ul style="list-style-type: none"> Sound power, idle: 5.3 bel maximum Sound power, operating: 5.8 bel maximum • Redundant <ul style="list-style-type: none"> Sound power, idle: 6.0 bel maximum Sound power, operating: 6.1 bel maximum |
|--|---|--|

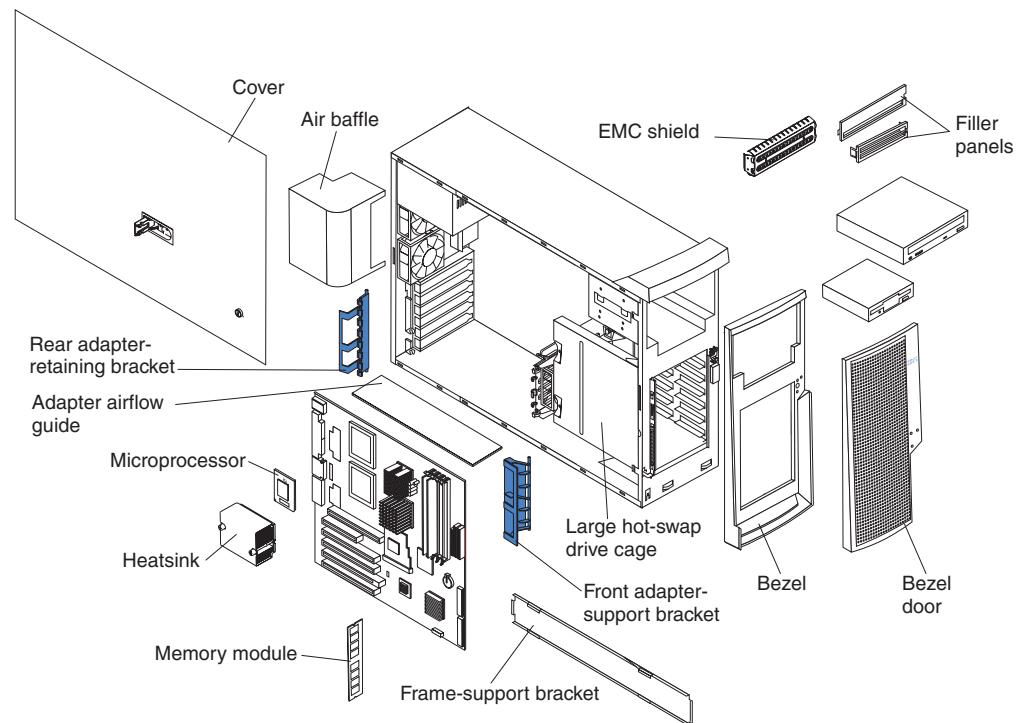
Major components of your server

The orange color on components and labels in your server identifies hot-swap or hot-plug components. You can install or remove these components while the server is running, provided that the server is configured to support hot-swap and hot-plug features. For complete details about installing or removing a hot-swap or hot-plug component, see the information in Chapter 2, “Installing options,” on page 9.

The blue color on components and labels indicates touch points where a component can be gripped, a latch moved, and so on.

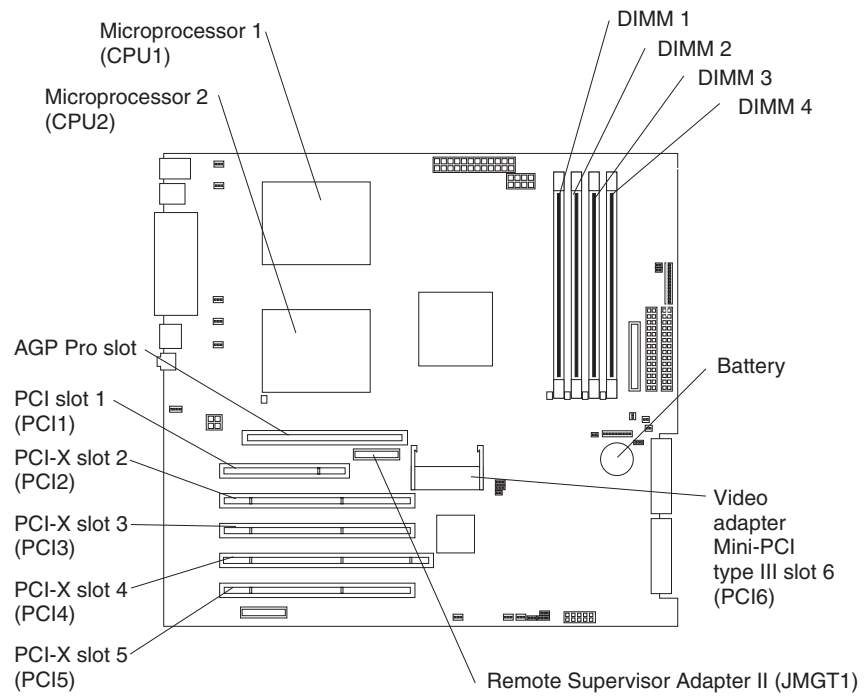
The following illustration shows the major components in the server.

Note: The illustrations in this publication might differ slightly from your hardware.



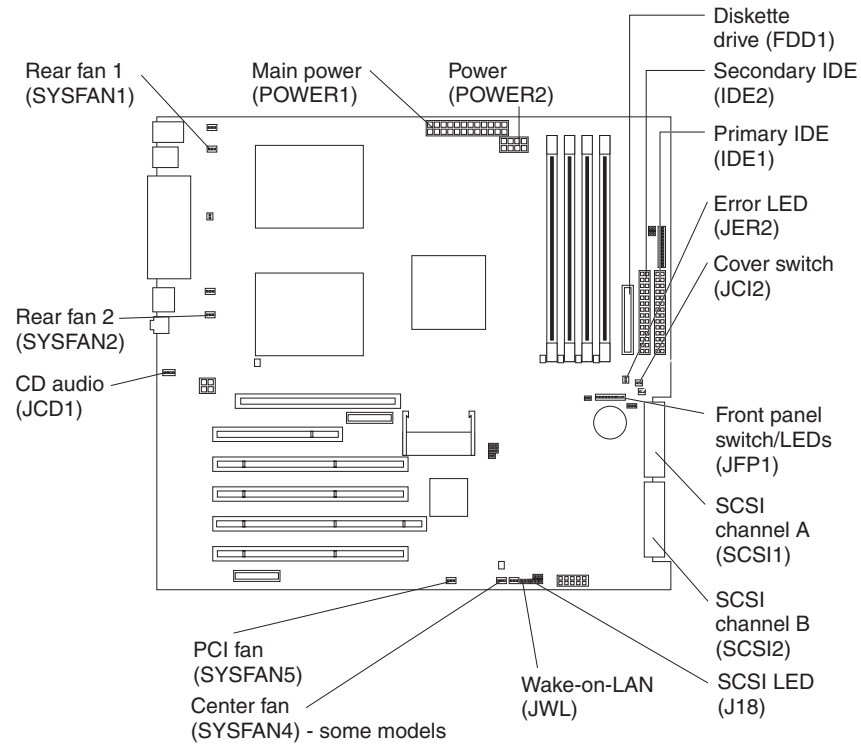
System-board option connectors

The following illustration shows the system-board connectors for user-installable options.



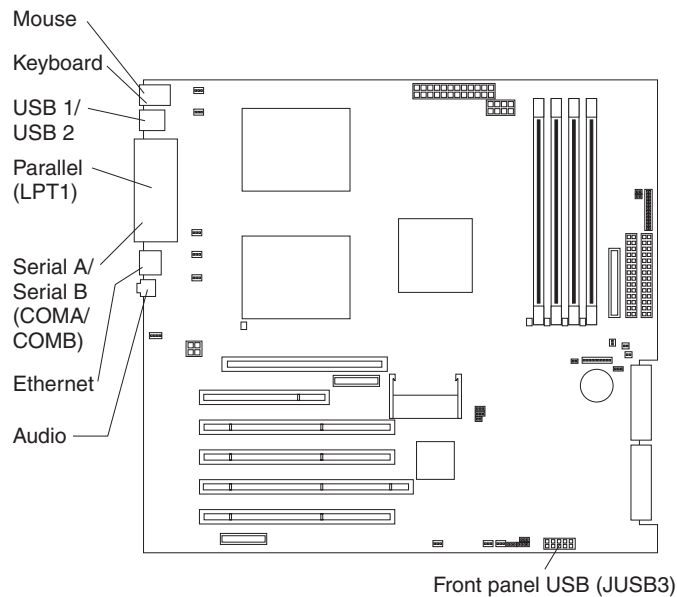
System-board internal connectors

The following illustration shows the internal connectors on the system board.



System-board external connectors

The following illustration shows the external input/output port connectors on the system board.



System-board error LEDs

The following illustration shows the LEDs on the system board. You might need to refer to this illustration when solving problems with the server.

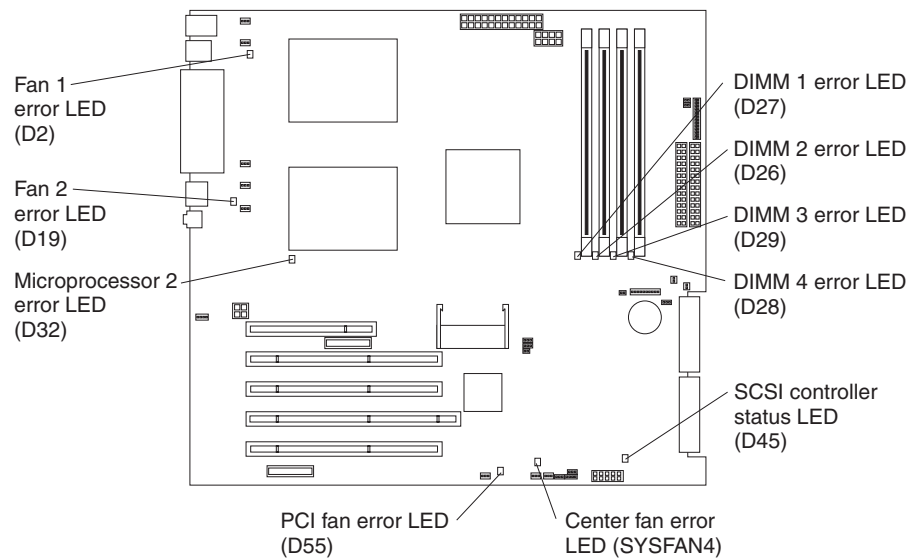


Table 2. Error LEDs

| Error LED | Without optional Remote Supervisor Adapter II | With optional Remote Supervisor Adapter II |
|---|--|--|
| DIMM error (D26, D27, D28, D29) | Memory problem (also turns on system error LED on the front bezel) | Memory problem (also turns on system error LED on the front bezel) |
| Microprocessor 2 error (D32) | Microprocessor 2 problem (also turns on system error LED on the front bezel) | Microprocessor 2 problem (also turns on system error LED on the front bezel) |
| Fan error (D2, D19, D55, D56) | No function | Fan failure |
| Hard disk error (LEDs on hot-swap hard disk drives) | Hot-swap hard disk drive failure | Hot-swap hard disk drive failure |

Chapter 2. Installing options

This chapter provides basic instructions for installing hardware options in your server. These instructions are intended for users who are experienced with setting up IBM server hardware. If you need more detailed instructions, see the *Option Installation Guide* on the IBM xSeries Documentation CD.

Installation guidelines

Before you begin installing options in your server, read the following information:

- Read the safety information beginning on page v and the guidelines in “Handling static-sensitive devices” on page 10. This information will help you work safely with your server and options.
- Make sure that you have an adequate number of properly grounded electrical outlets for your server, monitor, and other devices that you will connect to the server.
- Back up all important data before you make changes to disk drives.
- Have a small flat-blade screwdriver available.
- You do not need to turn off the server to install or replace hot-swap power supplies, hot-swap drives, or hot-plug Universal Serial Bus (USB) devices.
- The orange color on components and labels identifies hot-swap or hot-plug components. You can install or remove hot-swap and hot-plug components while the server is running, provided that the server is configured to support this capability. See the instructions in this chapter for more information about removing and installing hot-swap and hot-plug components.
- The blue color on components and labels identifies touch points, where you can grip a component, move a latch, and so on.
- When you need to access the inside of the server to install options, you might find it easier to lay the server on its side.
- For a list of supported options for your server, go to <http://www.ibm.com/pc/us/compat/>.

System reliability guidelines

To help ensure proper cooling and system reliability, make sure that:

- Each of the drive bays has a drive or a filler panel and electromagnetic compatibility (EMC) shield installed in it.
- If the server has redundant power, each of the power-supply bays has a power supply installed in it.
- There is adequate space around the server to allow the server cooling system to work properly. Leave approximately 50 mm (2 in.) of open space around the front and rear of the server. Do not place objects in front of the fans. For proper cooling and airflow, replace the server cover before turning on the server. Operating the server for extended periods of time (over 30 minutes) with the server cover removed might damage server components.

When installing the server in a rack, make sure that space is available around the server to enable the server cooling system to work properly. See the documentation that comes with the rack for additional information.

- You have followed the cabling instructions that come with optional adapters.
- You have replaced a failed fan as soon as possible.
- You replace a hot-swap drive within 2 minutes of its removal.

- You do not remove the air baffle when the server is operational. Operating the server without the air baffle might cause the microprocessor to overheat.
- Microprocessor socket 2 always contains either a microprocessor baffle or a microprocessor and heat sink.

Working inside the server with the power on

Your server supports hot-swap devices and is designed to operate safely while it is turned on and the cover is removed. Follow these guidelines when you work inside a server that is turned on:

- Avoid wearing loose-fitting clothing on your forearms. Button long-sleeved shirts before working inside the server; do not wear cuff links while you are working inside the server.
- Do not allow your necktie or scarf to hang inside the server.
- Remove jewelry, such as bracelets, necklaces, rings, and loose-fitting wrist watches.
- Remove items from your shirt pocket, such as pens and pencils, that could fall into the server as you lean over it.
- Avoid dropping any metallic objects, such as paper clips, hairpins, and screws, into the server.

Handling static-sensitive devices

Attention: Static electricity can damage electronic devices, including your server. To avoid damage, keep static-sensitive devices in their static-protective packages until you are ready to install them.

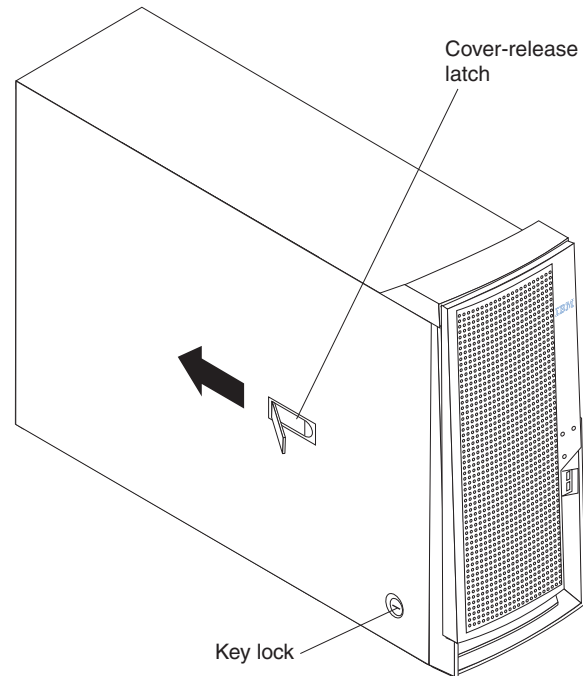
To reduce the possibility of electrostatic discharge, observe the following precautions:

- Limit your movement. Movement can cause static electricity to build up around you.
- Handle the device carefully, holding it by its edges or its frame.
- Do not touch solder joints, pins, or exposed circuitry.
- Do not leave the device where others can handle and damage it.
- While the device is still in its static-protective package, touch it to an unpainted metal part of the server for at least 2 seconds. This drains static electricity from the package and from your body.
- Remove the device from its package and install it directly into the server without setting down the device. If it is necessary to set down the device, put it back into its static-protective package. Do not place the device on your server cover or on a metal surface.
- Take additional care when handling devices during cold weather. Heating reduces indoor humidity and increases static electricity.

Removing the side cover

Complete the following steps to remove the side cover of the server:

1. Review the “Installation guidelines” on page 9.
2. Turn off the server and all attached devices (see “Turning on the server” on page 38); then, disconnect all power cords and external cables.
3. Lay the server on its side.
4. Unlock the side cover; then, pull the cover-release latch away from the server, and push the cover toward the rear of the server. Lift the side cover off the server and set it aside.



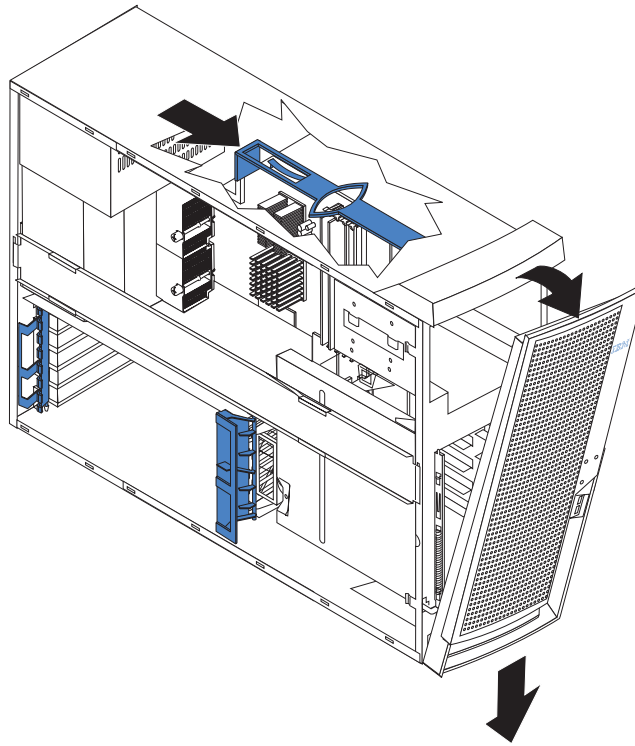
Attention: For proper cooling and airflow, replace the cover before turning on the server. Operating the server with the cover removed might damage server components.

Removing the bezel

When working with some devices, such as additional optical drives, you must first remove the bezel to access the device.

Complete the following steps to remove the bezel:

1. Remove the side cover (see “Removing the side cover” on page 11).
2. For hot-swap hard disk drive models:
 - a. Open the server door.
 - b. Rotate the hot-swap lock bar forward and remove it from the bezel (see the illustration on page 26). If the hot-swap lock bar will not rotate, press the top of the hot-swap lock bar to release the lock mechanism.
3. Locate the bezel-release lever; then, press the bezel-release lever toward the front of the server.
4. Pull the top of the bezel away from the chassis; then, push the bezel down to disengage the bottom tabs.
5. Remove the bezel from the server and store the bezel in a safe place.



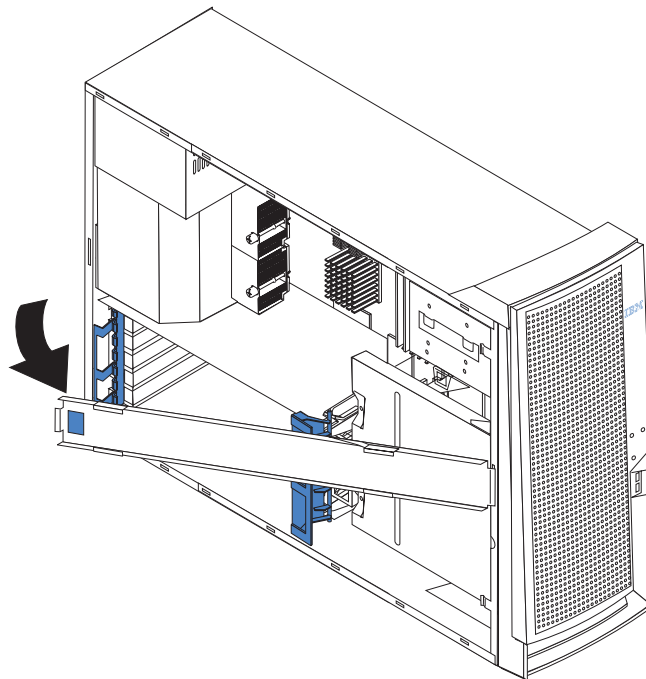
For instructions for replacing the bezel, see “Replacing the bezel” on page 34.

Removing and installing the support bracket

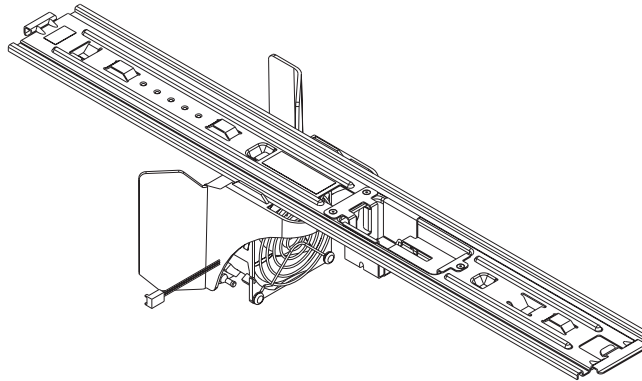
When working with some devices, such as hard disk drives, adapters, and memory modules, you must first remove the support bracket to access the device.

Complete the following steps to remove the support bracket:

1. Review the safety information beginning on page v and “Installation guidelines” on page 9.
2. Remove the side cover (“Removing the side cover” on page 11).
3. If your server comes with a standard support bracket similar to the support bracket in the following illustration, complete the following steps:
 - a. Pull out on the rear end of the support bracket at a 45° angle.
 - b. Disengage the front end of the support bracket from the server and set the bracket aside.



4. If your server comes with a support bracket that has a fan and a fan bracket attachment that looks like the bracket in the following illustration, complete the following steps:
 - a. Disconnect the fan cable from the fan connector on the system board before removing the support bracket.
 - b. Pull out on the rear end of the support bracket at a 45° angle.
 - c. Disengage the front end of the support bracket from the server and set the bracket aside.



To reinstall the support bracket, reverse the previous steps for your server.

Working with adapters

Your server comes with adapter connectors or *slots*. The standard video adapter is installed in mini-PCI slot 6 (PCI6). You can install up to five additional optional adapters in PCI slot 1 (PCI1) and PCI-X slots 2 through 5 (PCI2 through PCI5).

See “System-board option connectors” on page 6 for the locations of expansion slots on the system board.

Adapter considerations

Before you install an adapter, review the following information:

- Read the documentation that comes with your operating system.
- Locate the documentation that comes with the adapter and follow those instructions in addition to the instructions in this chapter. If you need to change the switch or jumper settings on your adapter, follow the instructions that come with the adapter.
- Installation of an AGP video adapter in the AGP slot is not supported.
- You can install a only 32-bit adapter in the 32-bit PCI slot 1 and 64-bit adapters in the 64-bit PCI-X slots 2 through 5.
- You can install full-length adapters in all five expansion slots. None of the expansion slots are hot-plug.
- The 32-bit PCI slot 1 supports 5.0 V signaling PCI adapters; it does not support 3.3 V signaling adapters or 64-bit adapters.
- The 64-bit PCI-X slots 2 through 5 support 3.3 V signaling PCI or PCI-X adapters; they do not support 5.0 V signaling adapters.
- The PCI bus configuration is as follows:
 - The 32-bit PCI slot 1 and mini-PCI slot 6 (video adapter) are on the 33 MHz PCI bus.

Note: Do not install any adapters other than the standard video adapter in mini-PCI slot 6. Other adapter types are not supported.

- The 64-bit PCI-X slots 2 and 3 and the integrated Ethernet controller are on the 100 MHz PCI-X bus, channel A.
- The 64-bit PCI-X slots 4 and 5 and the integrated SCSI controller with RAID capabilities are on the 100 MHz PCI bus, channel B. If an optional ServeRAID™-6i controller is installed, it overrides the standard functionality of the integrated SCSI controller with RAID capabilities and forces PCI-X slots 4 and 5 to 66 MHz.
- The optional IBM Remote Supervisor Adapter II can be installed only in PCI slot 1. Use the ribbon cable that comes with this adapter to connect it to the Remote Supervisor Adapter II connector (JMGT1) on the system board.
- You cannot swap the optional Remote Supervisor Adapter II card between systems with different machine types. For example, you cannot remove the optional Remote Supervisor Adapter II from an xSeries 225 Machine Type 8647 system and install it in an xSeries 225 Machine Type 8649 system. It is not supported.
- The optional ServeRAID-6i controller can be installed only in PCI-X slot 4 and must use the 3-U bracket that comes preinstalled on the controller.
- To provide failover protection, an optional Ethernet adapter can be installed only in PCI-X slots 2 through 5.
- The server scans the AGP slot, mini-PCI slot 6, PCI expansion slot 1, and PCI-X expansion slots 2 through 5 to assign system resources. Then, the server starts the PCI devices in the following order, if you have not changed the default startup sequence: AGP slot, mini-PCI slot 6, PCI expansion slot 1, system-board integrated drive electronics (IDE) or SCSI devices (including the optional ServeRAID-6i controller), and then PCI-X expansion slots 2 through 5.
- For a list of supported options for your server, go to <http://www.ibm.com/pc/support/>.

Installing an adapter

Note: You can install an optional ServeRAID-6i controller only in PCI-X slot 4. Slot 4 is the only PCI-X slot that supports the ServeRAID-6i controller requirements. Install the ServeRAID-6i controller using the 3-U bracket that comes preinstalled on the controller. See the documentation that comes with the ServeRAID-6i controller for additional information.

Complete the following steps to install an adapter in your server:

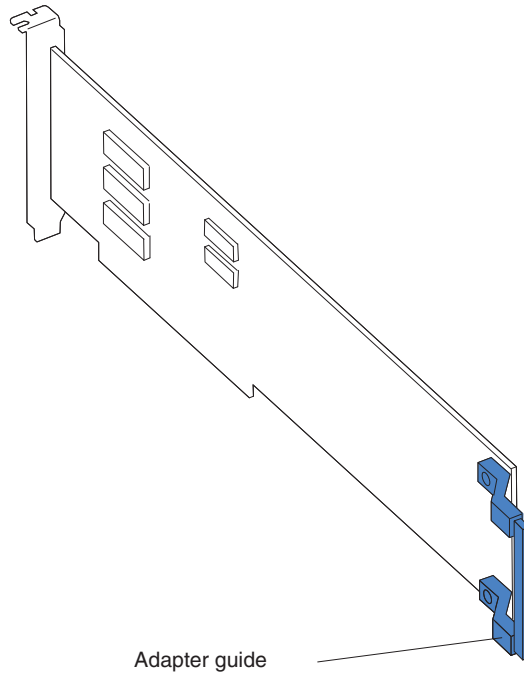
1. Review the “Installation guidelines” on page 9 and “Handling static-sensitive devices” on page 10.
2. Remove the side cover (see “Removing the side cover” on page 11).
3. Determine which slot you will use for the adapter. Check the instructions that come with the adapter for any requirements, restrictions, or cabling instructions. It might be easier to route cables before you install the adapter.
4. Rotate the rear adapter-retention bracket to the open (unlocked) position and remove it from the server. Rotate the front adapter-retention bracket to the open position. If you are installing a smaller adapter, remove only the rear adapter-retention bracket.
5. Remove the expansion-slot cover. From the rear of the server, press on the slot cover. Grasp it and pull it out of the expansion slot. Store it in a safe place for future use.

Note: Expansion-slot covers must be installed on all vacant slots. This maintains the electronic emissions standards of the server and ensures proper ventilation of server components.

6. Set any jumpers or switches on the adapter or system board according to the documentation that comes with the adapter.

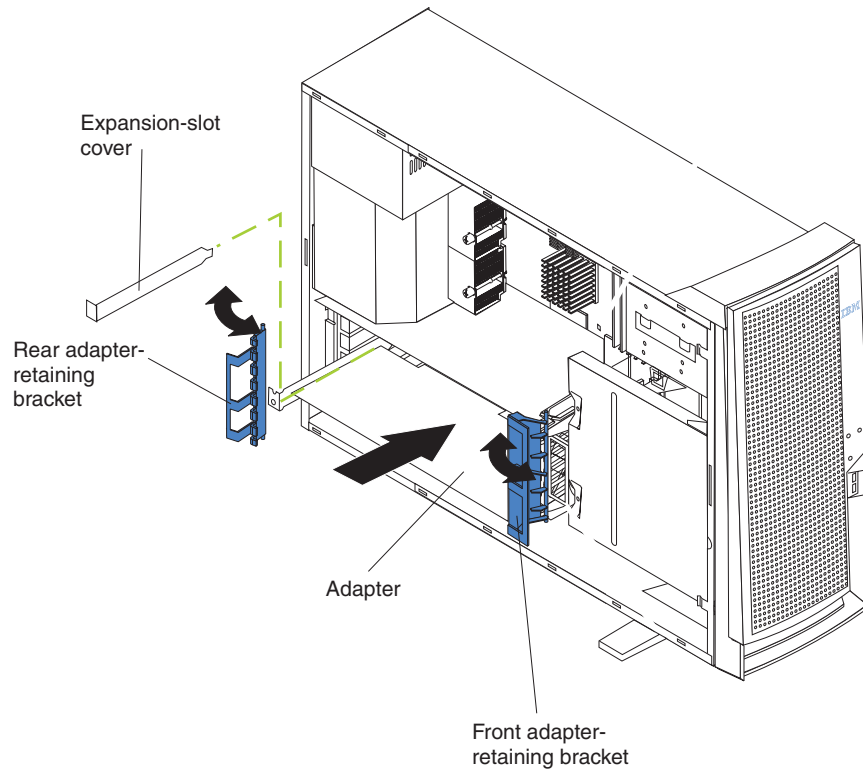
Attention: Avoid touching the components and gold-edge connectors on the adapter.

7. If you are installing a full-length adapter, remove the blue adapter guide (if any) from the end of the adapter.



Attention: Be certain that the adapter is correctly seated in the expansion slot before you turn on the server. Incomplete installation of an adapter might damage the system board or the adapter.

8. Carefully grasp the adapter by the top edge or upper corners, and align it with the expansion slot guides; then, press the adapter *firmly* into the expansion slot. Move the adapter directly from the static-protective package to the adapter slot.



9. Connect required cables to the adapter. Route cables so that they do not block the flow of air from the fans. If you are installing an optional SCSI adapter, see “Cabling an optional SCSI adapter” on page 18 for additional information.
10. If you have another adapter to install, repeat steps 3 through 9.
11. If you have installed a full-length adapter, rotate the front adapter-support bracket to the closed (locked) position.
12. Reinstall the rear adapter-retention bracket; then, rotate the bracket to the closed (locked) position.

Note: If any adapters in your server are large or have heavy cables attached to them, you can remove the rear adapter-retention bracket and secure all of the adapters with expansion-slot screws. The expansion-slot screws are stored on the frame-support bracket.

13. If you have other options to install, do so now; otherwise, go to “Completing the installation” on page 34.

Cabling an optional SCSI adapter

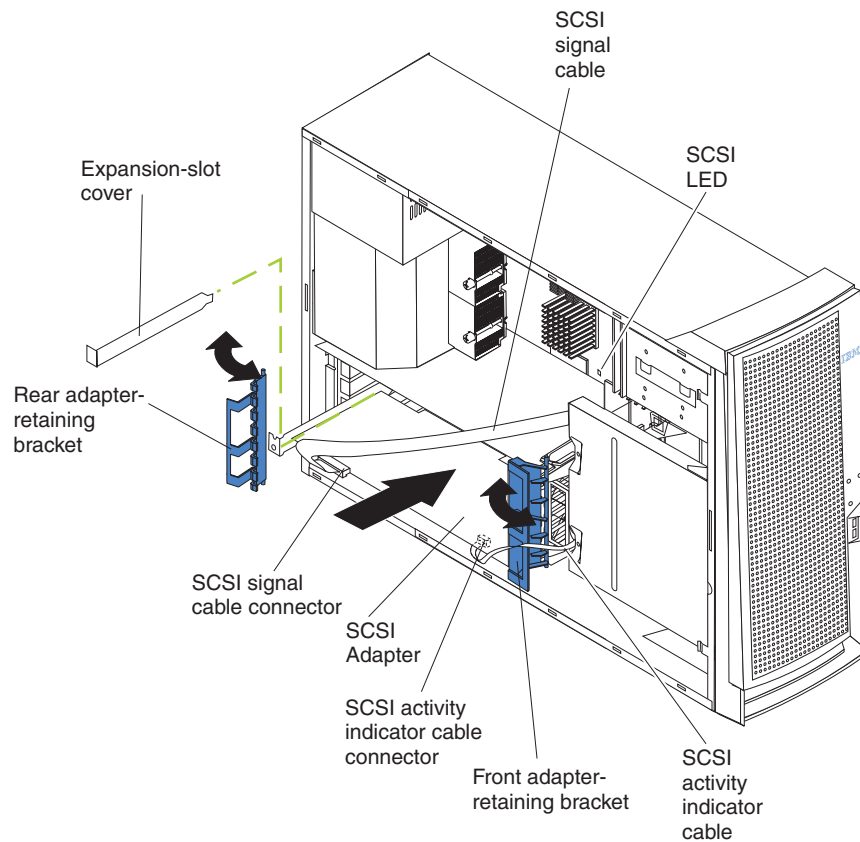
You can install an optional SCSI adapter in your server to control the internal hard disk drives. With a SCSI adapter installed, you can configure the internal hard disk drives into disk arrays. You can also cable a SCSI adapter to external hard disk drives. See your SCSI adapter option documentation for complete instructions for installing a SCSI adapter in your server and for additional information about SCSI adapters.

Notes:

1. This information in this section does not apply to the ServerRAID-6i controller, which uses the integrated SCSI controller with RAID capabilities on the system board.
2. An optional SCSI adapter or cable option is required to connect external SCSI devices.

Complete the following steps to cable an optional SCSI adapter:

1. Install the SCSI adapter (see “Installing an adapter” on page 15).
2. Connect the SCSI signal cable to the adapter and to one or more of the signal-cable connectors to the rear of the SCSI devices.
3. Connect the SCSI-activity-indicator cable to the adapter and to the SCSI-LED connector (J18) on the system board. See “System-board internal connectors” on page 7 for the location of the SCSI-LED connector.



4. Complete the installation of the optional SCSI adapter.

Installing internal drives

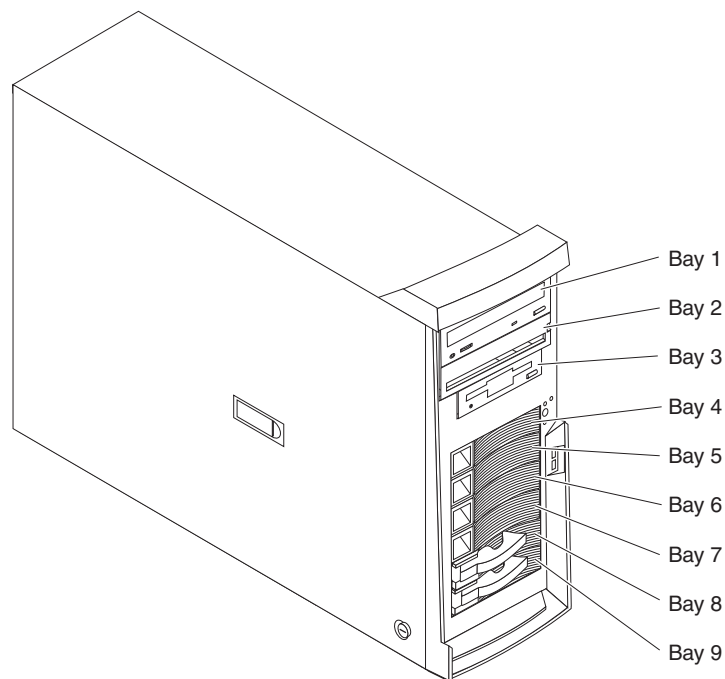
Depending on your server model, you might have one or more of the following drives installed:

- Diskette
- Hard disk
- CD-ROM

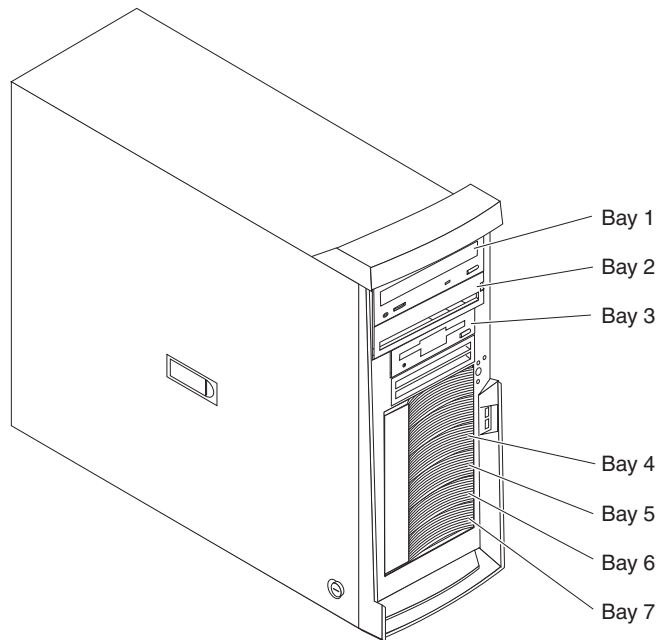
Internal drive bays

Some server models come with an IDE CD-ROM drive in bay 1, a 3.5-in., 1.44 MB diskette drive in bay 3, and six hot-swap hard disk drive bays. Other server models come with an IDE CD-ROM drive in bay 1, a 3.5-in., 1.44 MB diskette drive in bay 3, and a hard disk drive in bay 7.

Server with hot-swap hard disk drives



Server with non-hot-swap hard disk drives



Notes:

1. Diskette drives, tape drives, CD-ROM, CD-RW, and DVD drives are examples of removable-media drives. You can install removable-media drives in bays 1, 2, and 3 only.
2. The integrated IDE controller in your server supports the connection of up to four IDE devices.
3. You can install a 3.5-in. slim-high or 5.25-in. half-high removable-media drive, such as a tape backup drive, CD-RW, or DVD drive, in bay 2.
4. The server supports only one diskette drive.
5. To install a 3.5-in. drive in a 5.25-in. bay, you must use the 5.25-in. conversion kit, supplied with the option.
6. The electromagnetic interference (EMI) integrity and cooling of the server are protected by having all bays and PCI slots covered or occupied. When you install a drive or PCI adapter, save the EMC shield and filler panel from the bay or the PCI adapter slot cover in the event you later remove the option.
7. For a complete list of supported options for your server, go to <http://www.ibm.com/pc/support/> on the World Wide Web.

Preinstallation steps

Some of these steps are required only the first time a drive is installed in a specific bay:

1. Review the safety information beginning on page v and the documentation that comes with your drive.
2. Verify that you have all the cables and other equipment specified in the documentation that comes with the drive.
3. Choose the bay in which you want to install the drive.
4. Check the instructions that come with the drive to see if you need to set any switches or jumpers on the drive. If you are installing a SCSI device, be sure to set the SCSI ID for that device.

Installing a drive in bay 2

Complete the following steps to install a drive in bay 2:

1. Follow the instructions in “Preinstallation steps” on page 21.
2. Remove the side cover (see “Removing the side cover” on page 11).
3. Remove the bezel (see “Removing the bezel” on page 12).
4. Remove the support bracket (see “Removing and installing the support bracket” on page 13).
5. Use a screwdriver to pry the filler panel and EMC shield away from the server.

Note: If you are installing a drive that contains a laser, observe the following safety precaution.

Statement 3



CAUTION:

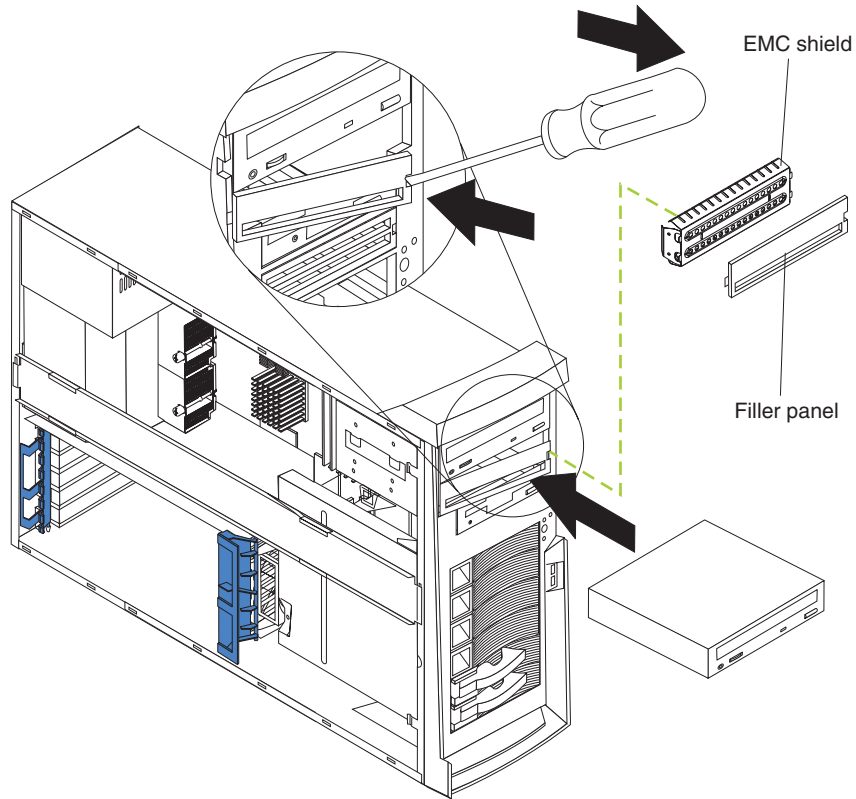
When laser products (such as CD-ROMs, DVD drives, fiber optic devices, or transmitters) are installed, note the following:

- Do not remove the covers. Removing the covers of the laser product could result in exposure to hazardous laser radiation. There are no serviceable parts inside the device.
- Use of controls or adjustments or performance of procedures other than those specified herein might result in hazardous radiation exposure.



Danger

Some laser products contain an embedded Class 3A or Class 3B laser diode. Note the following. Laser radiation when open. Do not stare into the beam, do not view directly with optical instruments, and avoid direct exposure to the beam.



6. Touch the static-protective package containing the drive to any unpainted metal surface on the server; then, remove the drive from the package and place it on a static-protective surface.
7. Set any jumpers or switches on the drive according to the documentation that comes with the drive.

Note: You might find it easier to install the new drive into the appropriate opening on the front, and then attach the cables.

8. If you are installing a 5.25-in. drive in bay 2, push the drive into the bay; then, use the two screws to attach the drive to the drive cage. If you are installing a 3.5-in. drive in bay 2, you must attach the 5.25-in. conversion kit, supplied with the option, to the 3.5-in. drive.
9. Determine whether the drive is an IDE or SCSI device; then, connect one end of the appropriate signal cable into the back of the drive and make sure that the other end of this cable is connected into the appropriate IDE or SCSI connector on the system board.
 - If you are installing a SCSI removable-media drive, use the one-drop SCSI cable that comes with the drive and connect it to SCSI channel B (SCSI2). See “Power and signal cables for internal drives” on page 25 for additional information about cabling drives and “System-board internal connectors” on page 7 for the location of IDE and SCSI connectors on the system board.
 - If there are open connectors on the cables connecting an existing IDE drive, this cable can be used to connect the new drive. The 4-connector SCSI cable that comes with non-hot-swap model servers cannot be used to connect a SCSI drive in bay 2.
10. Route the signal cable so that it does not block the airflow to the rear of the drives or over the microprocessor and memory.

11. Connect the power cable to the back of the drive. The connectors are keyed and can be inserted only one way.
12. If you have other options to install or remove, do so now; otherwise replace the support bracket and then go to “Completing the installation” on page 34.

Installing a non-hot-swap hard disk drive

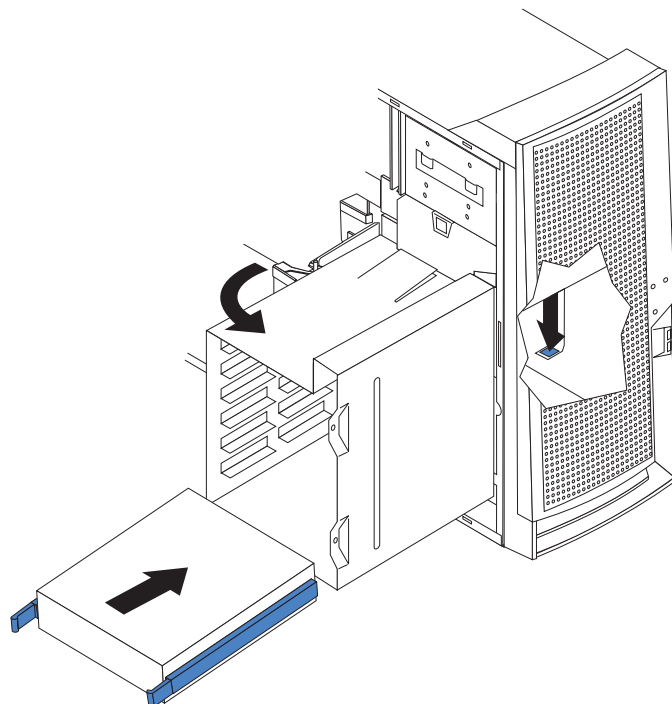
Some server models come with non-hot-swap hard disk drives. Non-hot swap hard disk drives are in the drive cage in bays 4, 5, 6, and 7. The drive cage is behind the front of the adapter-support bracket. Drives are installed starting at the bottom in bay 7. Additional drives are then installed in bays 6, 5, and 4.

Notes:

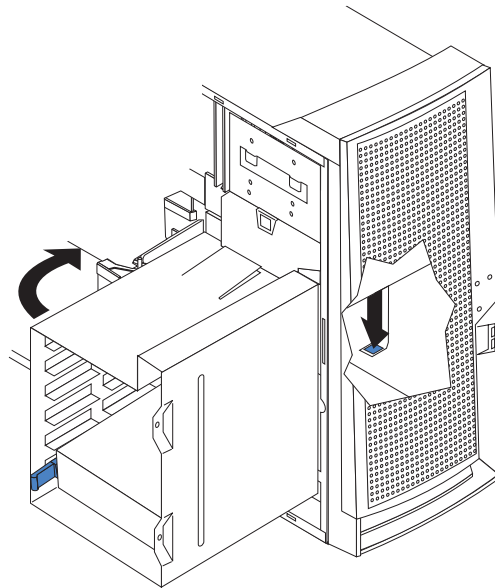
1. You can install up to four non-hot-swap hard disk drives in your server. The additional space in the drive cage above bay 4 is not designed to accommodate any additional drives.
2. When installing non-hot-swap hard disk drives, you might find it easier to lay the server on its side.

Complete the following steps to install a non-hot-swap hard disk drive in bay 4, 5, 6, or 7:

1. Follow the instructions in “Preinstallation steps” on page 21.
2. Remove the side cover (see “Removing the side cover” on page 11).
3. Remove the support bracket (see “Removing and installing the support bracket” on page 13).
4. Press the drive cage release lever down and then rotate the cage out of the server until the drive-cage retention tab locks into place and the open ends of the drive slots and installed drives are facing you. Ensure that the drive cage locks into place over the drive-cage retention tab by rotating the drive cage all the way out of the server.



5. Attach the blue guide rails to the side of the drive using the screws that are provided.
6. Slide the drive into the drive cage until the plastic tabs on the drive guide rails lock into place in the drive cage. Clear any cables that might impede the replacement of the drive cage.
7. Connect one end of the SCSI signal cable into the back of the drive and make sure that the other end of this cable is connected into the SCSI connector on the system board. See “Power and signal cables for internal drives” on page 25 for additional information about cabling drives and “System-board internal connectors” on page 7 for the location of the SCSI connectors on the system board. If there are open connectors on the cables connecting existing SCSI drives, these cables can be used to connect the new drive.
8. Route the signal cable so that it does not block the air flow to the rear of the drives or over the microprocessor and memory.
9. Connect the power cable to the back of the drive. The connectors are keyed and can be inserted only one way.
10. Push the drive cage outward, and press in on the drive-cage release tab; then, rotate the cage back into the server.



11. If you have other options to install or remove, do so now; otherwise, replace the support bracket (see “Removing and installing the support bracket” on page 13) and then go to “Completing the installation” on page 34.

Power and signal cables for internal drives

Your server uses cables to connect IDE and SCSI devices to the power supply and to the system board. (See “System-board internal connectors” on page 7 for the location of system-board connectors.) Review the following information before connecting power and signal cables to internal drives:

- The drives that are preinstalled in your server come with power and signal cables attached. If you replace any drives, remember which cable is attached to which drive.
- When you install a drive, ensure that one of the drive connectors of the signal cable is connected to the drive and that the connector at the other end of the signal cable is connected to the system board.
- The server has two IDE buses, primary and secondary. Each of these buses supports up to two IDE devices. The primary IDE bus uses connector IDE1 on the system board and the secondary IDE bus uses connector IDE2.
- If you have only one IDE device on a cable, it must be set as a master device.
- If two IDE devices are used on a single cable, one must be designated as the master device and the other as the subordinate device; otherwise, the server might not recognize some of the IDE devices. The master and subordinate designation is determined by switch or jumper settings on each IDE device.

The following cables are provided:

- **Power cables:** Four-wire power cables connect the drives to the power supply. At the end of these cables are plastic connectors that can be attached to different drives; these connectors vary in size.
- **Signal cables:** Signal cables are typically flat cables, also called ribbon cables, that connect IDE, SCSI, and diskette drives to the system board. Two or three types of signal cable come with your server:
 - **IDE:** The wider IDE signal cable has three connectors. One of these connectors is attached to the drive, one is a spare, and the third is attached to the primary or secondary IDE connector on the system board. The spare connector can be used to connect an additional IDE drive to your server.
The CD-ROM drive is attached to an ATA 100 signal cable. ATA 100 signal cables are color-coded. The blue connector is attached to the system board. The black connector is attached to the master IDE device. The gray middle connector is attached to the subordinate IDE device.
 - **Diskette drive:** The narrower signal cable has two connectors. One is attached to the diskette drive, and the other is attached to the connector (FDD1) on the system board.
 - **SCSI:** A round SCSI cable connects SCSI devices to the integrated SCSI controller with RAID capabilities on the system board. For hot-swap models, the maximum cable length that supports Ultra320 SCSI hard disk drives is 16 inches. For more information about connecting SCSI devices, see the SCSI documentation.

Installing a hot-swap drive

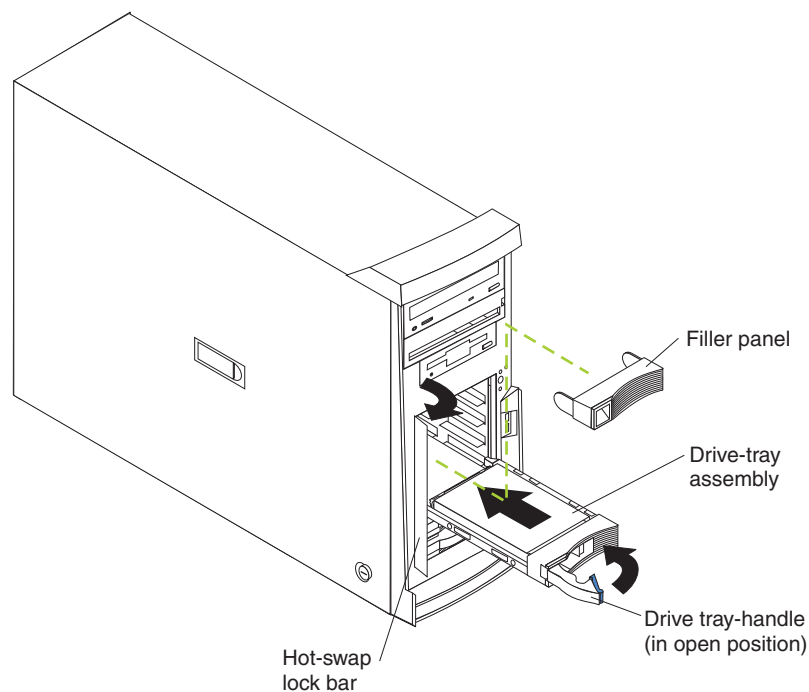
Some server models support a maximum of six 1-inch (26 mm) slim-high, 3.5-inch, hot-swap hard disk drives in the standard hot-swap bays. The hot-swap bays are arranged vertically in the standard hard disk drive cage; the bay numbers are 4 through 9 (from top to bottom) with SCSI IDs of 0 through 5 (from bottom to top). The hot-swap bays are below the removable-media drive bays.

For increased security, the hot-swap drives and filler panels are locked in the server by the hot-swap lock bar. The hot-swap lock bar cannot be released, allowing installation and removal of the hot-swap drives and filler panels, unless the key lock on the server side cover is unlocked.

Notes:

1. All hot-swap drives being used in the server should have the same speed rating; mixing speed ratings will cause all drives to operate at the lower speed.
2. You do not have to turn off the server to install hot-swap drives in the hot-swap drive bays. However, you must turn off the server when performing any steps that involve installing or removing cables.
3. The SCSI ID for each hot-swap hard disk drive is printed on the hot-swap lock bar.

The following illustration shows how to install a hot-swap hard disk drive.



Complete the following steps to install a drive in a hot-swap bay.

Attention: To maintain proper system cooling, do not operate the server for more than 10 minutes without either a drive or a filler panel installed in each bay.

1. Review the “Installation guidelines” on page 9, and “Handling static-sensitive devices” on page 10.
2. Open the server door.

3. Remove the hot-swap lock bar:
 - a. Unlock the side-cover lock.
 - b. Rotate the hot-swap lock bar forward and remove it from the bezel. If the hot-swap lock bar will not rotate, press the top of the hot-swap lock bar to release the lock mechanism.
4. Remove the filler panel from one of the empty hot-swap bays by inserting your finger into the depression at the left side of the filler panel and pulling it away from the server.
5. Install the hard disk drive in the hot-swap bay:
 - a. Ensure that the tray handle is open (that is, perpendicular to the drive).
 - b. Align the drive assembly with the guide rails in the bay.
 - c. Gently push the drive assembly into the bay until the drive stops.
 - d. Push the tray handle to the closed (locked) position.
 - e. Check the hard disk drive status indicator to verify that the hard disk drive is operating properly.

If the amber hard disk drive status LED for a drive is lit continuously, this indicates that drive is faulty and needs to be replaced. If the green hard disk drive activity LED is flashing, this indicates that the drive is being accessed.

Note: If your server is configured for RAID operation using the integrated SCSI controller with RAID capabilities or an optional ServeRAID controller, you might need to reconfigure your disk arrays after installing hard disk drives. See the ServeRAID documentation on the *IBM ServeRAID Support* CD for additional information about RAID operation and complete instructions for using ServeRAID Manager.
6. If you are installing additional hot-swap hard disk drives, do so now; otherwise, replace the hot-swap lock bar.
7. If you have other options to install or remove, do so now; otherwise go to “Completing the installation” on page 34.

SCSI IDs for hot-swap hard disk drives

The hot-swap-drive backplane controls the SCSI IDs for the internal hot-swap drive bays. The SCSI ID for each hot-swap hard disk drive is printed on the hot-swap lock bar. Table 3 lists the SCSI IDs for the hard disk drives and backplane that are connected to one channel in hot-swap hard disk drive models. In the typical configuration, the standard hard disk drives and backplane are connected to channel A.

Table 3. SCSI IDs for standard hot-swap hard disk drives and backplane

| Device | SCSI ID |
|-------------|---------|
| Drive bay 9 | 0 |
| Drive bay 8 | 1 |
| Drive bay 7 | 2 |
| Drive bay 6 | 3 |
| Drive bay 5 | 4 |
| Drive bay 4 | 5 |
| Backplane | 8 |

Installing memory modules

You can increase the amount of memory in your server by installing memory modules. Your server uses industry-standard PC2100 double-data-rate (DDR) dual inline memory modules (DIMMs).

Notes:

1. The system board contains four DIMM connectors and supports two-way memory interleaving.
2. The DIMM options available for your server are 128 MB, 256 MB, 512 MB, 1 GB, and 2 GB. Your server supports a minimum of 256 MB and a maximum of 8 GB of system memory.
3. The amount of usable memory will be reduced depending on the system configuration. A certain amount of memory must be reserved for system resources. The BIOS will display the total amount of installed memory and the amount of configured memory.
4. Your server comes with two 256 MB or 512 MB DIMMs (for a total of 512 MB or 1024 MB) installed in the DIMM 3 and DIMM 4 memory connectors. When you install additional DIMMs, be sure to install them as a pair in DIMM connectors 1 and 2.
5. DIMMs must be installed in matched pairs. The first pair of DIMMs you install in DIMM 3 and DIMM 4 memory connectors must be the same size, speed, type, and technology. You can mix compatible DIMMs from various manufacturers. If you install a second pair of DIMMs in DIMM 1 and DIMM 2 memory connectors, they do not have to be the same size, speed, type, and technology as the DIMMs you installed in DIMM 3 and DIMM 4 memory connectors. However, the size, speed, type, and technology of the DIMMs you install in DIMM 1 and DIMM 2 memory connectors must match each other.
6. Install only 133 MHz (memory bus), 2.5 V, 184-pin, double-data-rate (DDR), PC2100, registered synchronous dynamic random-access memory (SDRAM) with error correcting code (ECC) DIMMs. These DIMMs must be compatible with the latest PC2100 SDRAM Registered DIMM specification. For a list of supported options for your server, go to <http://www.ibm.com/us/compat/>.
7. Your server supports Chipkill™ memory if the DIMMs are 512 MB or larger. Your server also supports Chipkill memory if you have 256 MB, 128 Mb technology DIMMs installed. All 128 MB DIMMs or 256 MB, 256 Mb technology DIMMs do not provide Chipkill memory support.

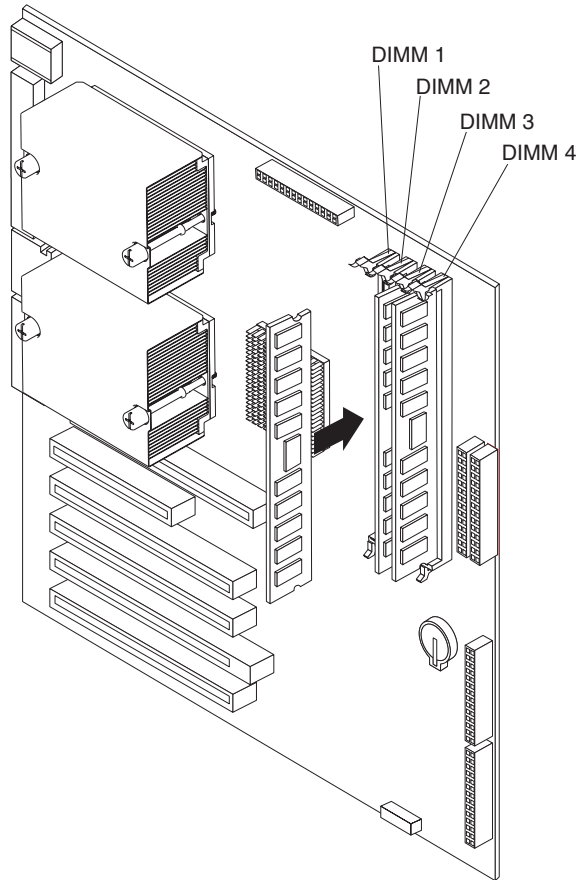
Complete the following steps to install a DIMM:

1. Review the safety information beginning on page v, and “Handling static-sensitive devices” on page 10.
2. Remove the side cover (see “Removing the side cover” on page 11).
3. Remove the support bracket (see “Removing and installing the support bracket” on page 13).
4. Locate the DIMM connectors on the system board. Determine the connectors into which you will install the DIMMs. Install the DIMMs in the order shown in the following table.

Table 4. DIMM installation sequence

| Installation order | DIMM connectors | Diagnostic reference |
|--------------------|-------------------|----------------------|
| First pair | DIMM 3 and DIMM 4 | Bank 2 |
| Second pair | DIMM 1 and DIMM 2 | Bank 1 |

5. Open the retaining clips and, if necessary, remove any existing DIMM.
6. Touch the static-protective package containing the DIMM to any unpainted metal surface on the server. Then remove the new DIMM from the package.
7. Gently open the retaining clip on each end of the DIMM slot. Turn the DIMM so that the pins align correctly with the connector.
8. Insert the DIMM into the connector. Firmly press the DIMM straight down into the connector by applying pressure on both ends of the DIMM simultaneously. The retaining clips snap into the locked position when the DIMM is firmly seated in the connector. If there is a gap between the DIMM and the retaining clips, the DIMM has not been correctly installed. Open the retaining clips, remove the DIMM, and then reinsert it.



9. If you have other options to install or remove, do so now; otherwise, replace the support bracket (see “Removing and installing the support bracket” on page 13) and go to “Completing the installation” on page 34.

Installing an additional microprocessor

Your server comes with one microprocessor installed on the system board. Your server supports up to two microprocessors. With two microprocessors, your server can operate as a symmetric multiprocessing (SMP) server. With SMP, certain operating systems and application programs can distribute the processing load among the microprocessors.

Before you begin:

- Thoroughly review the documentation that comes with the microprocessor to determine the required BIOS update. The latest level of BIOS code for your server is available from the World Wide Web. See the *User's Guide* on the IBM *xSeries Documentation* CD for the World Wide Web addresses.
- (Optional) Obtain an SMP-capable operating system. For a list of supported operating systems and other options, go to <http://www.ibm.com/pc/us/compat/> on the World Wide Web.

Attention: To ensure proper server operation when you install an additional microprocessor, use microprocessors that have the same cache size and type, and the same clock speed. Microprocessor internal and external clock frequencies must be identical. You can use the Configuration/Setup Utility program in your server to determine the specific type of microprocessor on your system board.

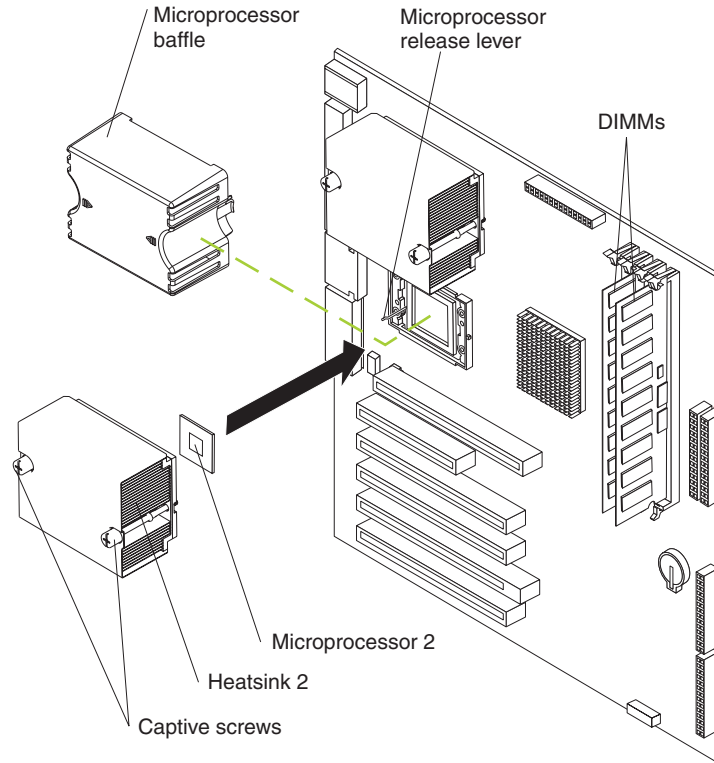
Important: A microprocessor must always be installed in socket CPU1 of the system board.

Notes:

1. To order additional microprocessor options, contact your IBM marketing representative or authorized reseller.
2. Terminator cards are not required for empty microprocessor sockets. However, for airflow, an empty microprocessor socket must contain a microprocessor baffle.
3. The microprocessor speeds are automatically set for this server; therefore, you do not need to set any microprocessor frequency-selection jumpers or switches.
4. If you need to replace a microprocessor, call for service.
5. For additional illustrations of the system-board components, see "System-board option connectors" on page 6.

Some operating systems need to be configured to support an additional microprocessor. See the *Option Installation Guide* on the IBM *xSeries Documentation* CD for instructions.

The following illustration shows how to install an additional microprocessor.

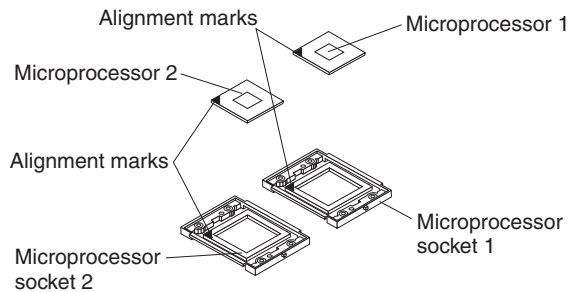


Complete the following steps to install an additional microprocessor:

1. Review the “Installation guidelines” on page 9 and “Handling static-sensitive devices” on page 10.
2. Remove the side cover (see “Removing the side cover” on page 11).
3. Remove the support bracket (“Removing and installing the support bracket” on page 13).
4. Remove the adapter airflow guide:
 - a. Rotate the front and rear adapter-retention brackets to the open (unlocked) position.
 - b. Slide the adapter airflow guide out of the guides on the air baffle and front adapter-support bracket; then, remove it from the chassis.
5. Remove the air baffle by unhooking it from its retaining tabs and lifting it off the chassis.
6. Locate the second microprocessor socket (connector CPU2) on the system board.
7. Remove the microprocessor baffle from the second microprocessor socket.
8. If the second microprocessor socket is covered with protective film, peel and remove the film.
9. Install the microprocessor:
 - a. Touch the static-protective package containing the new microprocessor to any *unpainted* metal surface on the server; then, remove the microprocessor from the package.

Attention:

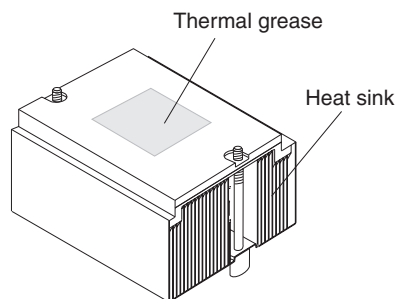
- 1) Do not use excessive force when pressing the microprocessor into the socket.
- 2) Make sure that the microprocessor is oriented and aligned correctly with pin number 1 in the socket before you try to close the microprocessor-release lever. The following illustration shows the alignment marks for both microprocessors and sockets.



- b. Pull out and lift up on the microprocessor-release lever to unlock the microprocessor socket.
- c. Center the microprocessor over the microprocessor socket. Align the triangle on the corner of the microprocessor with the triangle on the corner of the socket and carefully press the microprocessor into the socket.
- d. Carefully close the microprocessor-release lever to secure the microprocessor in the socket.

Attention: Do not set the heat sink down after you remove the plastic cover and do not touch the thermal grease on the bottom of the heat sink. Touching the thermal grease will contaminate it. If the thermal grease on the microprocessor or heat sink becomes contaminated, contact your service technician.

10. Install the heat sink on the microprocessor.



- a. Remove the plastic cover from the bottom of the heat sink.
- b. Align and place the heat sink on top of the microprocessor, grease side down, in the retention bracket. Press firmly on the heat sink.

Attention: Alternate the tightening of the two captive screws to prevent damage to the microprocessor. Ensure that the screws are completely tightened (until they stop); otherwise, damage to the microprocessor will occur.

- c. Secure the heat sink to the microprocessor by tightening the captive screws. Alternate between the two captive screws in the heat sink while tightening them.

11. Install the air baffle.

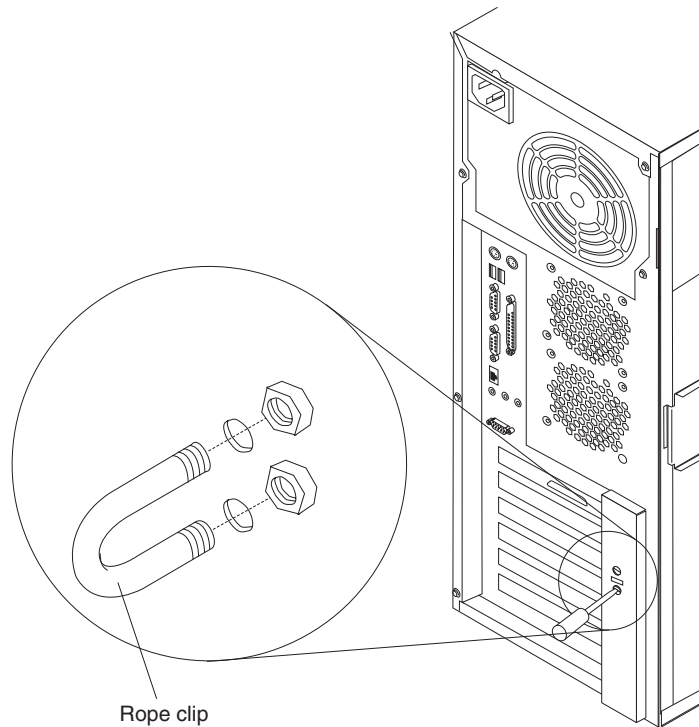
12. Install the adapter airflow guide:
 - a. Rotate the front and rear adapter-retention brackets to the open (unlocked) position.
 - b. Slide the adapter airflow guide into the guides on the air baffle and front adapter-support bracket; then, push it into place, using care to not damage any cables.
 - c. Rotate the front and rear adapter-retention brackets to the closed (locked) position.
13. If you have other options to install or remove, do so now; otherwise, replace the support bracket and go to “Completing the installation” on page 34.

Installing a security rope clip

To help prevent theft, you can add a security rope clip and cable to your server.

Complete the following steps to install a rope clip:

1. Remove the side cover (see “Removing the side cover” on page 11).
2. Use a screwdriver to remove the two metal knockouts.
3. Insert the rope clip through the rear panel; then, attach and tighten the nuts.
4. Thread a cable through the rope clip and around an object that is not part of or permanently secured to the building structure or foundation, and from which the cable cannot be removed. Fasten the cable ends together with a lock. After you add the security cable, be certain it does not interfere with other cables connected to the server.



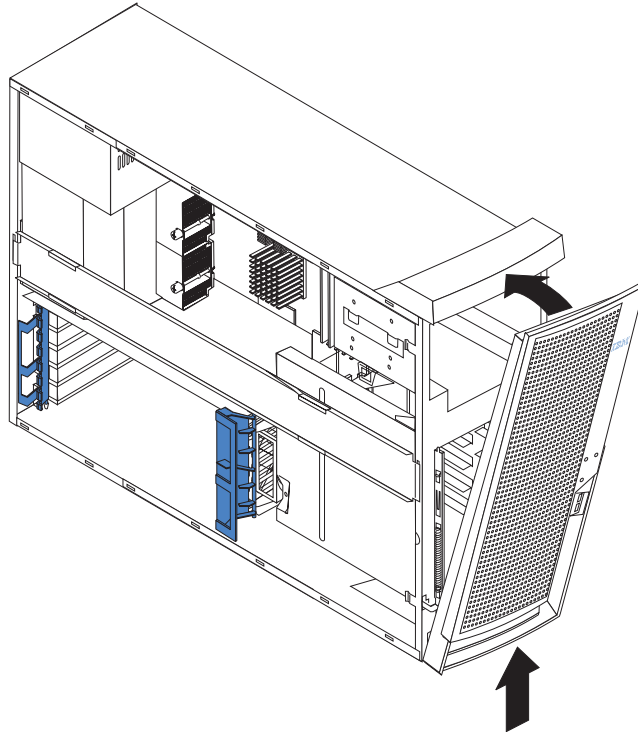
5. If you have other options to install or remove, do so now; otherwise, go to “Completing the installation.”

Completing the installation

To complete your installation, you must reinstall the bezel, reinstall the side cover, connect all the cables and, for certain options, run the Configuration/Setup Utility program. Follow the instructions in this section.

Replacing the bezel

The following illustration shows how to install the bezel on the server.



Complete the following steps to replace the bezel:

1. Insert the two tabs on the bottom of the bezel into the matching holes on the server chassis.
2. Push the top of the bezel toward the server until the two tabs at the top of the bezel snap into place.
3. For hot-swap hard disk drive models, make sure the side cover is unlocked; then, insert the hot-swap lock bar into the slots on the bezel and rotate it to the locked position. The hot-swap lock bar locks when you lock the side cover key lock.

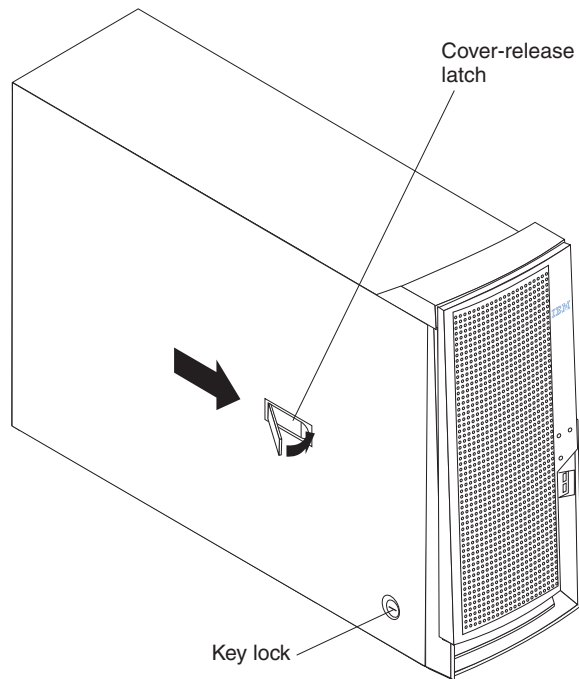
Replacing the side cover

If you removed the support bracket or bezel, reinstall it before you replace the side cover. See “Removing and installing the support bracket” on page 13 and “Replacing the bezel” on page 34..

Note: The rear adapter retaining bracket rests against the server side cover. You might find it easier to lay the server on its side to replace the side cover.

Complete the following steps to replace the side cover:

1. Before installing the cover, check that all cables, adapters, and other components are installed and seated correctly and that you have not left loose tools or parts inside the server.
2. Place the bottom lip of the side cover over the bottom edge of the server chassis.
3. Rotate the side cover to a vertical position, inserting the tabs at the top of the side cover into the matching slots in the server chassis.
4. Slide the side cover forward until it locks in place. Press down on the cover-release-latch button as you close the cover-release latch to lock the side cover.



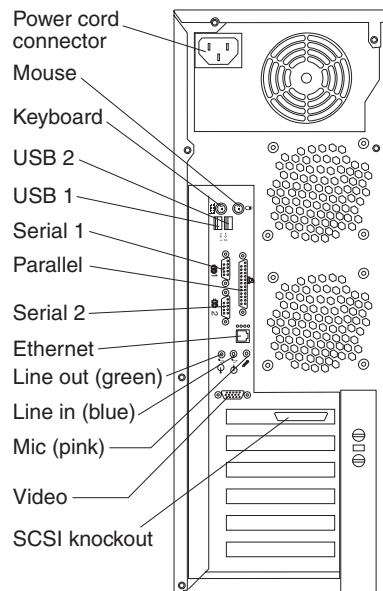
5. For hot-swap hard disk drive models, open the server door and hold the hot-swap lock bar in the closed position, lock the side cover key lock, and close the server door.

Cabling the server

If your server cables and connector panel have color-coded connections, match the color of the cable end with the color of the connector. For example, match a blue cable end with a blue panel connector, a red cable end with a red connector, and so on.

Attention: To prevent damage to equipment, connect the power cords last.

The following illustration shows the input/output (I/O) connectors on the rear of the server.



Updating your server configuration

When you start your server for the first time after you add or remove an internal option or an external SCSI device, you might see a message telling you that the configuration has changed. The Configuration/Setup Utility program automatically starts so that you can save the new configuration information. See Chapter 4, “Configuring the server,” on page 41 for additional information.

Some options have device drivers that you need to install. See the documentation that comes with your option for information about installing any required device drivers.

Your server comes with one microprocessor installed on the system board. If you have installed an additional microprocessor, your server can now operate as an SMP server. Therefore, you might need to upgrade your operating system to support SMP. See the *User's Guide* on the IBM *xSeries Documentation* CD and your operating-system documentation for additional information.

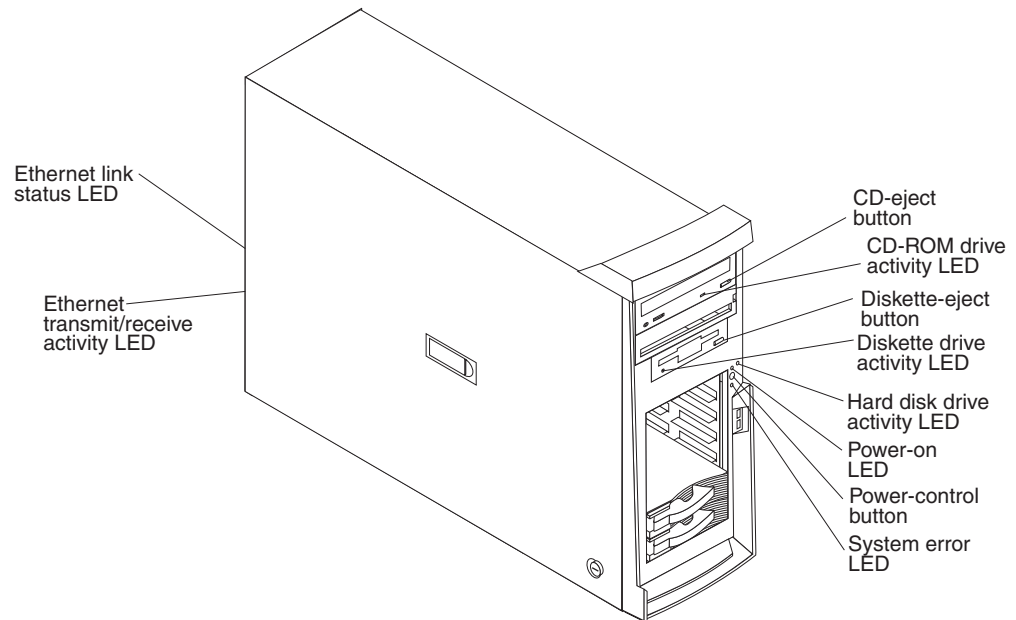
If your server has a RAID configuration using the integrated SCSI controller with RAID capabilities or has a ServeRAID controller installed and you have installed or removed a hard disk drive, see the ServeRAID documentation that comes with your server for information about reconfiguring your disk arrays.

Chapter 3. Server controls, LEDs, and power

This section identifies the controls and indicators on the front and rear of your server. It also describes the power features of your server.

Controls and LEDs

The following illustration shows the controls and LEDs on the server.



AC power LED

This LED is on each hot-swap power supply on the back of some server models. During typical operation, both the ac and dc power LEDs are on. For any other combination of LEDs, see the *Hardware Maintenance Manual and Troubleshooting Guide* on the IBM xSeries Documentation CD.

CD-eject button

Press this button to release a CD from the CD-ROM drive.

CD-ROM drive activity LED

When this LED is lit, it indicates that the CD-ROM drive is in use.

DC power LED

This LED is on each hot-swap power supply on the back of some server models. During typical operation, both the ac and dc power LEDs are on. For any other combination of LEDs, see the *Hardware Maintenance Manual and Troubleshooting Guide* on the IBM xSeries Documentation CD.

Diskette-eject button

Press this button to release a diskette from the diskette drive.

Diskette drive activity LED

When this LED is lit, it indicates that the diskette drive is in use.

Ethernet link status LED

This LED is on the Ethernet connector on the back of the server. When this LED is lit, it indicates that there is an active connection on the Ethernet port.

Ethernet transmit/receive activity LED

This LED is on the Ethernet connector on the back of the server. When this LED is lit, it indicates that there is activity between the server and the network.

Hard disk drive activity LED

When this LED is flashing, it indicates that a hard disk drive is in use.

Hot-swap hard disk drive activity LED

On some server models, each hot-swap drive has a hard disk drive activity LED. When this green LED is flashing, it indicates that the drive is in use.

Hot-swap hard disk drive status LED

On some server models, each hot-swap hard disk drive has a status LED. If the status LED for a drive is lit continuously, that individual drive is faulty. The interpretation of a flashing status LED depends on the SCSI controller connected to the hot-swap drive, as follows:

- When the drive is connected to the integrated SCSI controller with RAID capabilities, a flashing status LED indicates that the drive is a secondary drive in a mirrored pair and the drive is being synchronized.
- When the drive is connected to an optional ServeRAID controller, a slowly flashing (one flash per second) status LED indicates that the drive is being rebuilt. When the LED is flashing rapidly (three flashes per second), it indicates that the controller is identifying the drive.

Power-control button

Press this button to turn the server on and off manually.

Power-on LED

When this LED is lit and not flashing, it indicates that the server is turned on. When this LED is flashing, it indicates that the server is off and still connected to an ac power source (standby mode).

System-error LED

When this LED is lit, it indicates that a system error has occurred. An LED on the system board might also be lit to help isolate the error. See Chapter 6, "Solving problems," on page 53 for additional information. Detailed troubleshooting information is in the *Hardware Maintenance Manual and Troubleshooting Guide* on the IBM xSeries Documentation CD.

Server power features

When the server is connected to an ac power source but is not turned on, the operating system does not run, and all core logic is shut down; however, the server can respond to remote requests to turn on the server. The power-on LED flashes to indicate that the server is connected to an ac power source but is not turned on (standby mode).

Turning on the server

Notes:

1. Turn on all external devices, such as the monitor, before turning on the server.
2. The power-on LED on the front of the server is lit when the server is on and while it is powering-up.

Approximately 20 seconds after the server is connected to ac power, the power-control button becomes active, and you can turn on the server and start the operating system by pressing the power-control button. The server can also be turned on in any of the following ways:

- If a power failure occurs while the server is turned on, the server will restart automatically when power is restored.
- If an optional Remote Supervisor Adapter II is installed in the server, the server can be turned on from the Remote Supervisor Adapter II user interface.
- When you plug in your server for the first time, the Wake on LAN[®] feature can turn on the server. If your server was previously turned on, it must be properly turned off for the Wake on LAN feature to turn on the server.

Note: When 4 GB or more of memory (physical or logical) is installed, some memory is reserved for various system resources and is unavailable to the operating system. The amount of memory that is reserved for system resources depends on the operating system, the configuration of the server, and the configured PCI options.

Turning off the server

When you turn off the server and leave it connected to ac power, the server can respond to remote requests to turn on the server. To remove all power from the server, you must disconnect it from the power source.

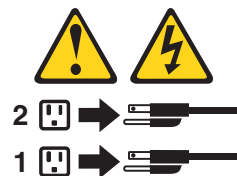
Some operating systems require an orderly shutdown before you turn off the server. See your operating-system documentation for information about shutting down the operating system.

Statement 5:



CAUTION:

The power control button on the device and the power switch on the power supply do not turn off the electrical current supplied to the device. The device also might have more than one power cord. To remove all electrical current from the device, ensure that all power cords are disconnected from the power source.



Note: After turning off the server, wait at least 5 seconds before you press the power-control button to turn on the server again.

The server can be turned off in any of the following ways:

- You can turn off the server from the operating system, if your operating system supports this feature. After an orderly shutdown of the operating system, the server will be turned off automatically.

- You can press the power-control button to start an orderly shutdown of the operating system and turn off the server, if your operating system supports this feature.
- If the operating system stops functioning, you can press and hold the power-control button for more than 4 seconds to turn off the server.
- If an optional Remote Supervisor Adapter II is installed in the server, the server can be turned off from the Remote Supervisor Adapter II user interface.
- The server can turn itself off as an automatic response to a critical system failure.

Chapter 4. Configuring the server

The *ServerGuide Setup and Installation* CD provides software setup tools and installation tools that are specifically designed for your IBM server. Use this CD during the initial installation of your server to configure basic hardware features and to simplify your operating system installation. (See “Using the ServerGuide Setup and Installation CD” for more information.)

In addition to the *ServerGuide Setup and Installation* CD, you can use the following configuration programs to customize your server hardware:

- **Configuration/Setup Utility**

This program is part of the basic input/output system (BIOS) code that comes with your server. You can use this program to configure serial- and parallel-connector assignments, change the drive startup sequence, set the date and time, and set passwords. For more information about how to start this utility, see “Using the Configuration/Setup Utility program” on page 42.

- **LSI Logic Configuration Utility**

With the built-in LSI Logic Configuration Utility program, you can configure the integrated SCSI controller and the devices that are attached to it. For information about how to start this utility, see “Using the LSI Logic Configuration Utility program” on page 43.

- **ServeRAID Manager**

The ServeRAID programs come with your server. If your server has a ServeRAID controller installed, you must use the ServeRAID Configuration program to define and configure your disk-array subsystem *before* you install your operating system. See “Using ServeRAID Manager” on page 43 for more information.

This section provides the instructions for starting the utility programs. See the *User's Guide* on the IBM *xSeries Documentation* CD for detailed instructions for using the configuration programs and *ServerGuide Setup and Installation* CD.

Using the ServerGuide Setup and Installation CD

The *ServerGuide Setup and Installation* CD provides state-of-the-art programs to detect the server model and hardware options that are installed, configures the server hardware, provides device drivers, and helps you install your operating system. For information about the supported operating-system versions, see the label on the CD.

1. Insert the *ServerGuide Setup and Installation* CD, and restart the server. If the CD does not start, see “ServerGuide problems” on page 55..
2. Follow the instructions that appear on the screen to:
 - a. Select your language.
 - b. Select your keyboard layout and country.
 - c. View the overview to learn about ServerGuide features.
 - d. View the readme file to review installation tips about your operating system and adapter.
 - e. Start the setup and hardware configuration programs.
 - f. Start the operating system installation. You will need your copy of the operating-system CD.

Using the Configuration/Setup Utility program

The Configuration/Setup Utility program is part of the BIOS code. You can use it to:

- Change interrupt request (IRQ) settings
- Change the startup drive sequence
- Configure serial port assignments
- Enable USB keyboard and mouse support
- Resolve configuration conflicts
- Set the date and time
- Set passwords

Complete the following steps to start the Configuration/Setup Utility program:

1. Turn on the server and watch the monitor screen.
2. When the message Press F1 for Configuration/Setup appears, press F1. If an administrator password has been set, you must type the administrator password to access the full Configuration/Setup Utility menu.
3. Follow the instructions on the screen.

See the *User's Guide* on the IBM xSeries Documentation CD for more detailed information about the Configuration/Setup Utility.

Using the RAID configuration programs

Use the following programs to configure and manage RAID arrays. Be sure to use these programs as described in this book:

- **LSI Logic Configuration Utility program**

Use the LSI Logic Configuration Utility program to:

- Perform a low-level format on a SCSI hard disk drive
- View or change SCSI IDs for attached devices
- Set SCSI protocol parameters on SCSI hard disk drives

- **ServeRAID Manager**

Use the ServeRAID Manager program to:

- Configure a redundant array of independent disks (RAID)
- View your RAID configuration and associated devices
- Monitor operation of your RAID controllers

The following notes provide information that you must consider when using the LSI Logic Configuration Utility and the ServeRAID Manager programs to configure and manage your arrays:

- The integrated SCSI controller with RAID capabilities in your server supports only RAID level 1 with a hot-spare drive installed. Installing an optional ServeRAID controller provides additional RAID levels.
- You cannot use the ServerGuide Setup and Installation CD to configure the integrated SCSI controller with RAID capabilities.
- When you create a RAID 1 mirrored pair, all drives must be on the same channel.
- Hard disk capacities influence the way you create arrays. Drives in the array can be of different capacities, but the RAID controller treats them as if they all have the capacity of the smallest disk drive.

- To help ensure signal quality, do not mix drives with different speeds and data rates.
- You can set up a mirror after the operating system is installed on the primary drive only if you are using the integrated SCSI controller with RAID capabilities. You must ensure that the primary drive has the lower SCSI ID (for example 0).

Important: If you use the integrated SCSI controller with RAID capabilities to configure a RAID level 1 (mirrored) array after you install the operating system, you will lose access to any data or applications that were previously stored on the secondary physical drive of the mirrored pair.

- To update the firmware and BIOS for an optional ServeRAID controller, you must use the IBM ServeRAID Support CD that comes with ServeRAID option.
- If you install a different type of RAID controller in your server, use the configuration method supplied with the RAID controller to view or change SCSI settings for attached devices.

Using the LSI Logic Configuration Utility program

Complete the following steps to start the LSI Logic Configuration Utility program:

1. Turn on the server.
2. When the prompt <<< Press <CTRL><C> to start LSI Logic Configuration Utility >>> appears, press Ctrl+C. If you have set an administrator password, you are prompted to type the password.
3. Use the arrow keys to select a controller (channel) from the list of adapters; then, press Enter.
4. Follow the instructions on the screen to change the settings of the selected items; then, press Enter. The **Device Properties** and **Mirroring Properties** choices produce additional screens of parameters to review or change.

See the *User's Guide* on the IBM *xSeries Documentation* CD for more detailed information about the LSI Logic Configuration Utility. In addition, an LSI Command-line configuration program (CFG1030) is available at <http://www.ibm.com/pc/support/>.

Using ServeRAID Manager

You can run ServeRAID Manager in startable-CD mode from the *IBM ServeRAID Support* CD or as an installed program. For information about installing ServeRAID Manager, see the documentation on the CD.

The following sections provide instructions for running ServeRAID Manager in startable-CD mode to configure your integrated SCSI controller with RAID capabilities and perform an initial RAID configuration on your server. See the ServeRAID documentation on the *IBM ServeRAID Support* CD for additional information about RAID technology and instructions for using ServeRAID Manager to configure your integrated SCSI controller with RAID capabilities.

Before you install your operating system, you must configure the controller that is attached to the hard disk drives. You must use the configuration program on the *IBM ServeRAID Support* CD to configure the integrated SCSI controller with RAID capabilities or to configure an optional IBM ServeRAID controller.

Notes:

1. You cannot use the *ServerGuide Setup and Installation CD* to configure the optional controllers.
2. To update the firmware and BIOS for an optional ServeRAID controller, you must use the *IBM ServeRAID Support CD* that comes with the ServeRAID option.

Using ServeRAID Manager in startable-CD mode

The information in this section focuses on using the ServeRAID Manager program in startable-CD mode to configure your controller. For information about installing ServeRAID Manager, see the documentation on the *IBM ServeRAID Support CD*.

When you run the ServeRAID Manager program from the startable *IBM ServeRAID Support CD*, you are using startable-CD mode, in which you can configure your controller *before* you install your operating system.

To run the ServeRAID Manager program in startable-CD mode, turn on the server; then, insert the *IBM ServeRAID Support CD* into the CD-ROM drive. If the ServeRAID Manager program detects an unconfigured controller and ready drives, the program automatically starts the Configuration wizard, and a window similar to that shown in Figure 1 opens.

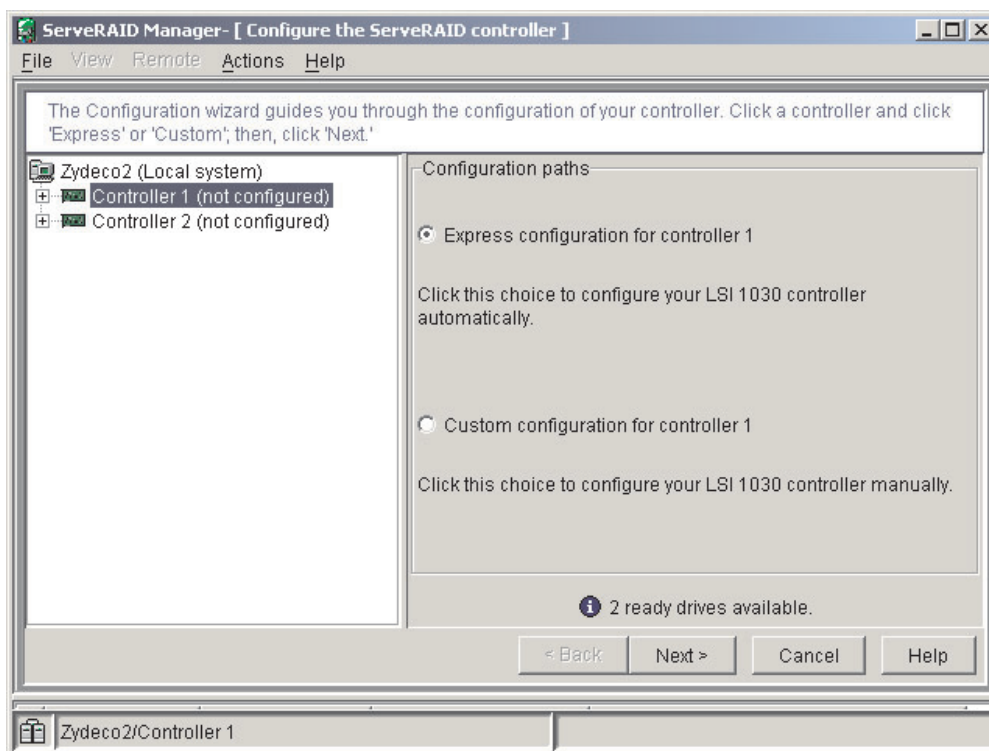


Figure 1. "Configuration wizard" window

Configuring the controller: You can use the Configuration wizard to configure your controller. The Configuration wizard provides two configuration options: Express and Custom. Express configuration automatically configures your controller, and you can use Custom configuration to configure your controller manually.

Note: If the integrated RAID controller has two channels, it will appear in the ServeRAID Manager tree as two controller objects. However, you can configure only one array and one RAID level-1 logical drive.

Using Express configuration: Express configuration automatically configures your controller. It creates an array by grouping together the first two physical drives that appear in the ServeRAID Manager tree, and it creates a RAID level-1 logical drive.

Complete the following steps to use Express configuration:

1. In the ServeRAID Manager tree, click the controller.
2. Click **Express configuration**.
3. Click **Next**. The “Configuration summary” window opens.
4. Review the information that is displayed in the “Configuration summary” window. To change the configuration, click **Modify arrays**.

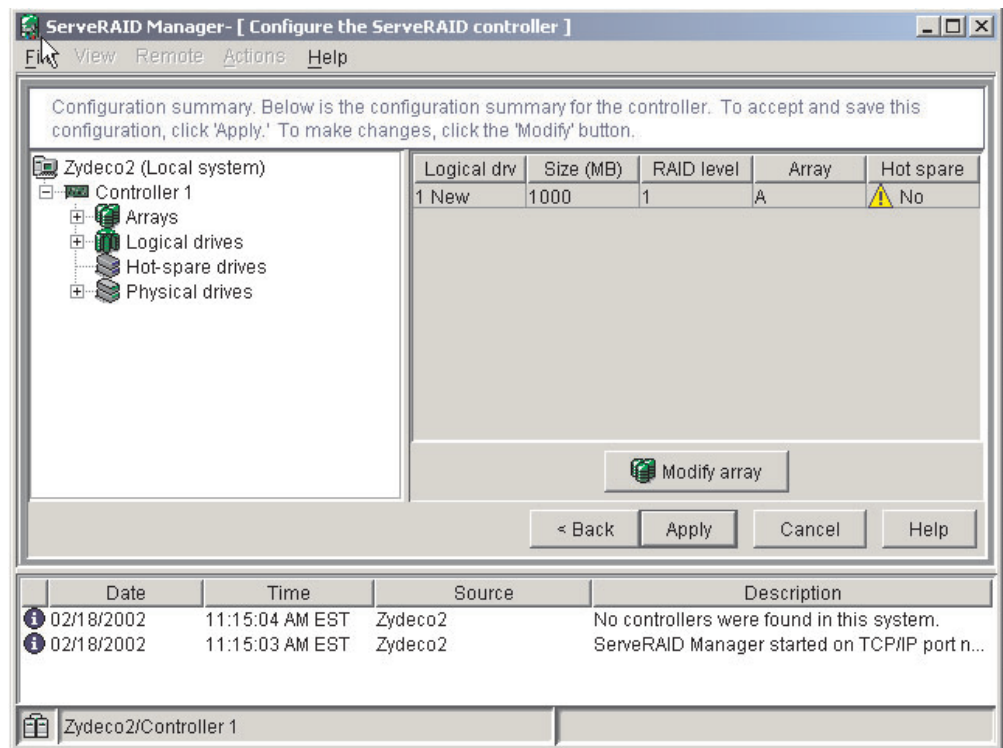


Figure 2. “Configuration summary” window

5. Click **Apply**; then, click **Yes** when asked if you want to apply the new configuration. The configuration is saved in the controller and in the physical drives.
6. Exit from the ServeRAID Manager program and remove the CD from the CD-ROM drive.
7. Restart the server.

Using Custom configuration: To configure your controller manually, select Custom configuration. Using Custom configuration, you can select which two physical drives you want to configure and create a hot-spare drive.

Complete the following steps to use Custom configuration:

1. In the ServeRAID Manager tree, click the controller.
2. Click **Custom configuration**.
3. Click **Next**. The “Create arrays” window opens.

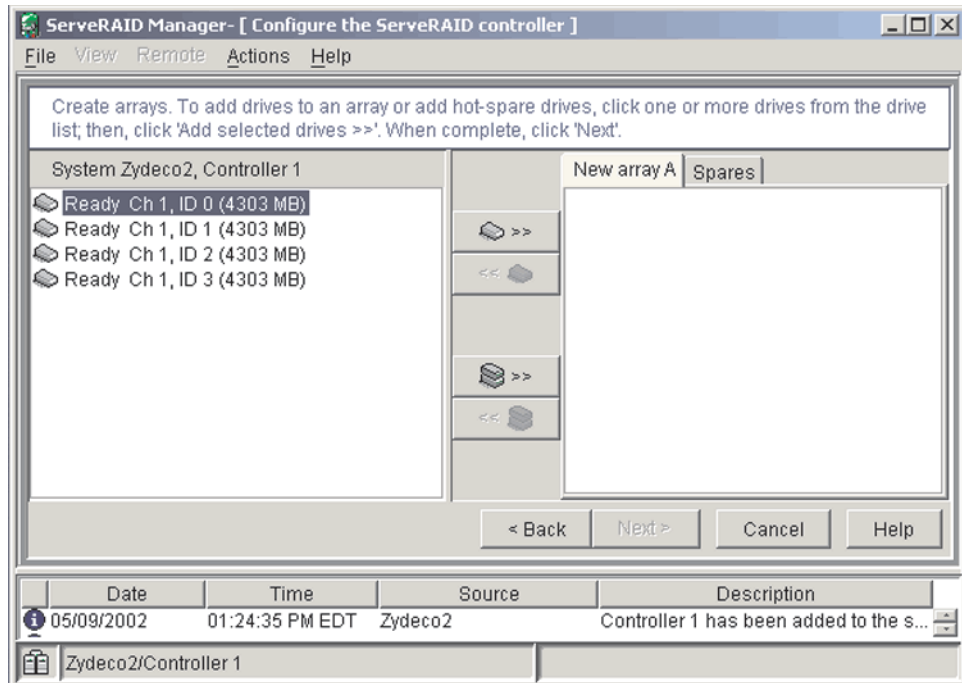

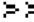

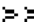


Figure 3. “Create arrays” window

4. From the list of ready drives, select the two drives you want to move to the array.
5. Click   (Add selected drives) to add the drives to the array.
6. Complete the following steps if you want to configure a hot-spare drive:
 - a. Click the **Spares** tab.
 - b. Select the physical drive you want to designate as the hot-spare drive; then, click   (Add selected drives).

7. Click **Next**. The “Configuration summary” window opens.

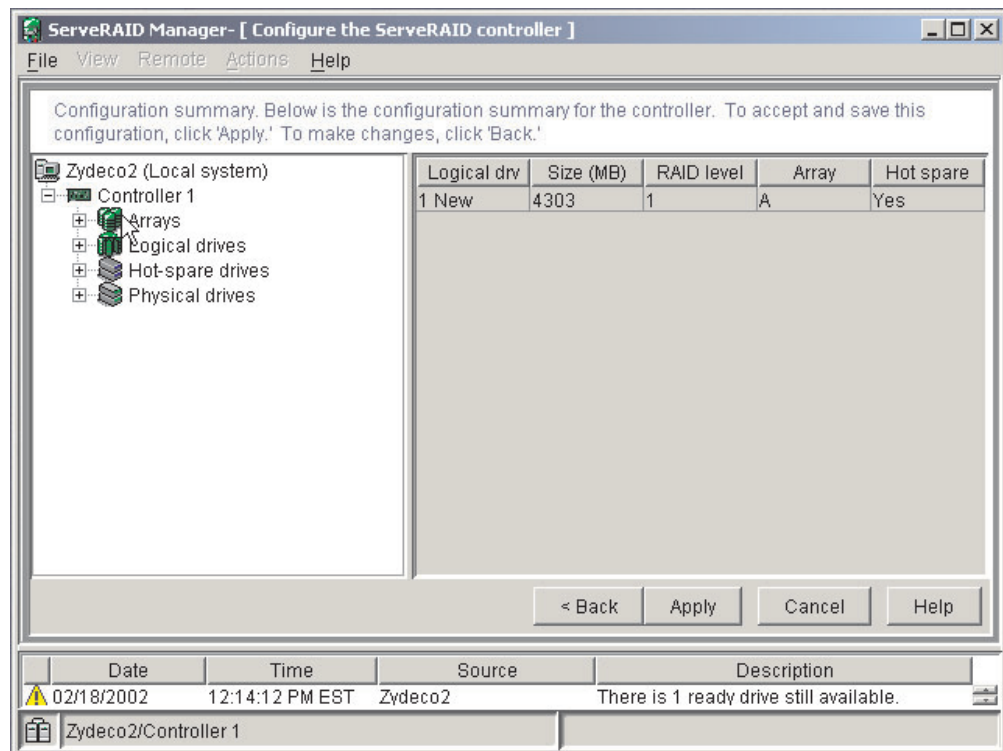


Figure 4. “Configuration summary” window

8. Review the information that is displayed in the “Configuration summary” window. To change the configuration, click **Back**.
9. Click **Apply**; then, click **Yes** when asked if you want to apply the new configuration. The configuration is saved in the controller and in the physical drives.
10. Exit from the ServeRAID Manager program, and remove the CD from the CD-ROM drive.
11. Restart the server.

Viewing your configuration

You can use ServeRAID Manager to view information about RAID controllers and the RAID subsystem (such as arrays, logical drives, hot-spare drives, and physical drives).

To view information, expand the ServeRAID Manager tree; then, click the relevant tree object. Detailed information about the selected device appears in the right pane.

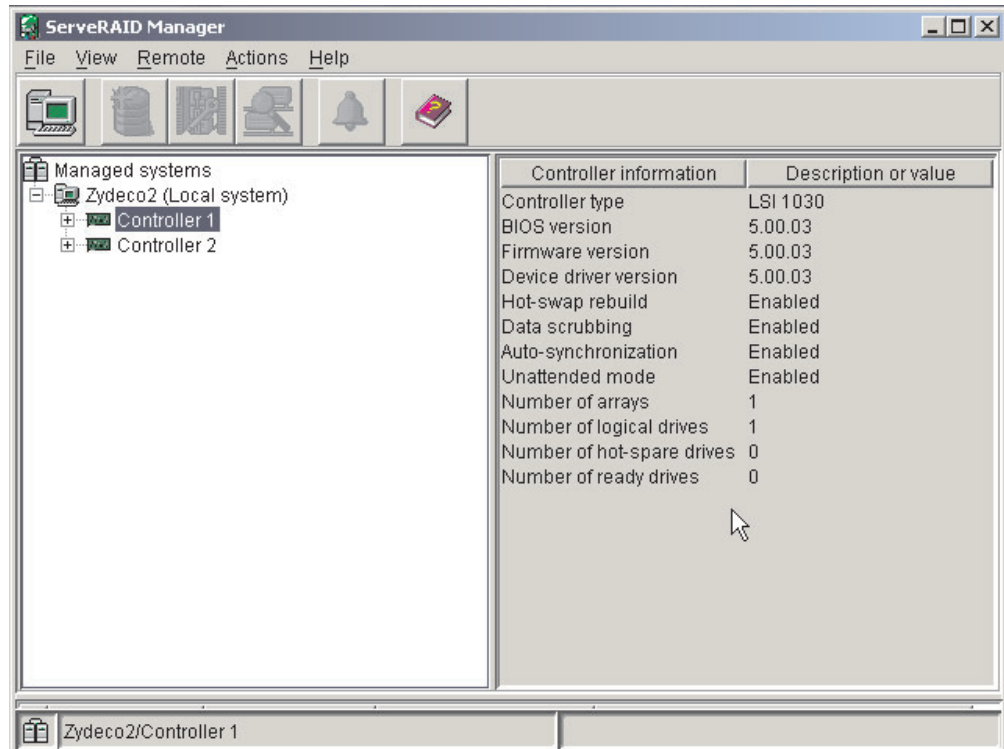


Figure 5. ServeRAID Manager window

To display available actions for an item, click the item in the ServeRAID Manager tree and click **Actions**.

Getting assistance

For more information about ServeRAID Manager, see the online help system. To

start the help system, either click  (Information about this window) on the toolbar or select an item from the **Help** menu.

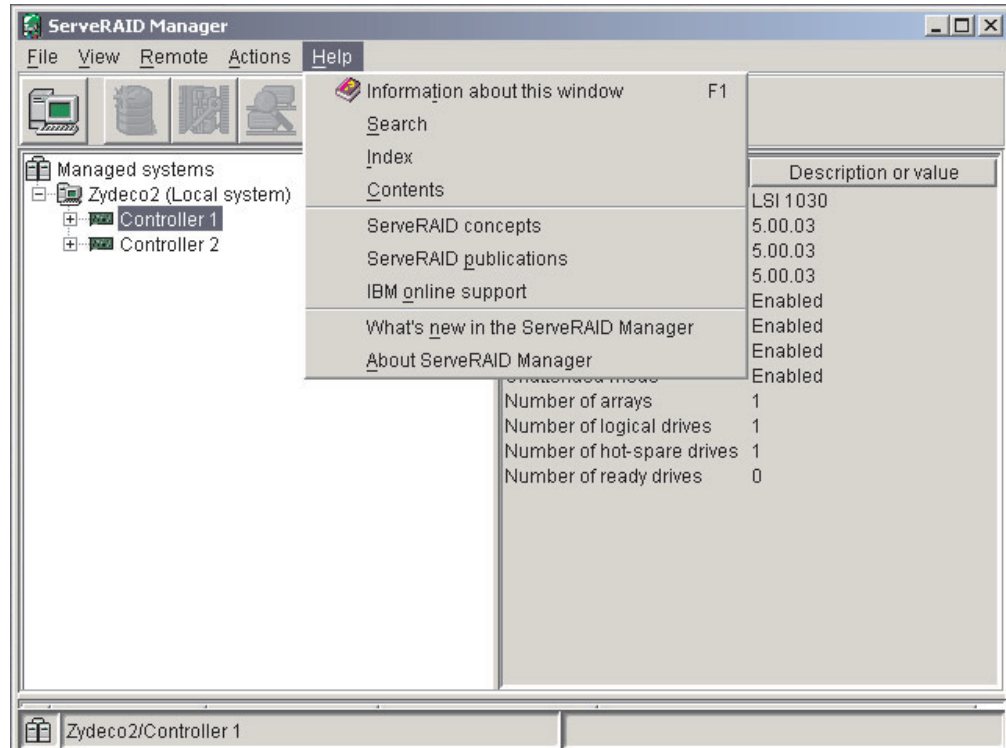


Figure 6. ServeRAID Manager help menu

The help system (ServeRAID Assist) will open within the ServeRAID Manager interface.

To learn more about the ServeRAID Manager tree objects and the actions that apply to them, select a tree object and click **Actions** → **Hints and tips**. ServeRAID Assist will start, and information about the tree object will appear in the right pane of ServeRAID Manager.

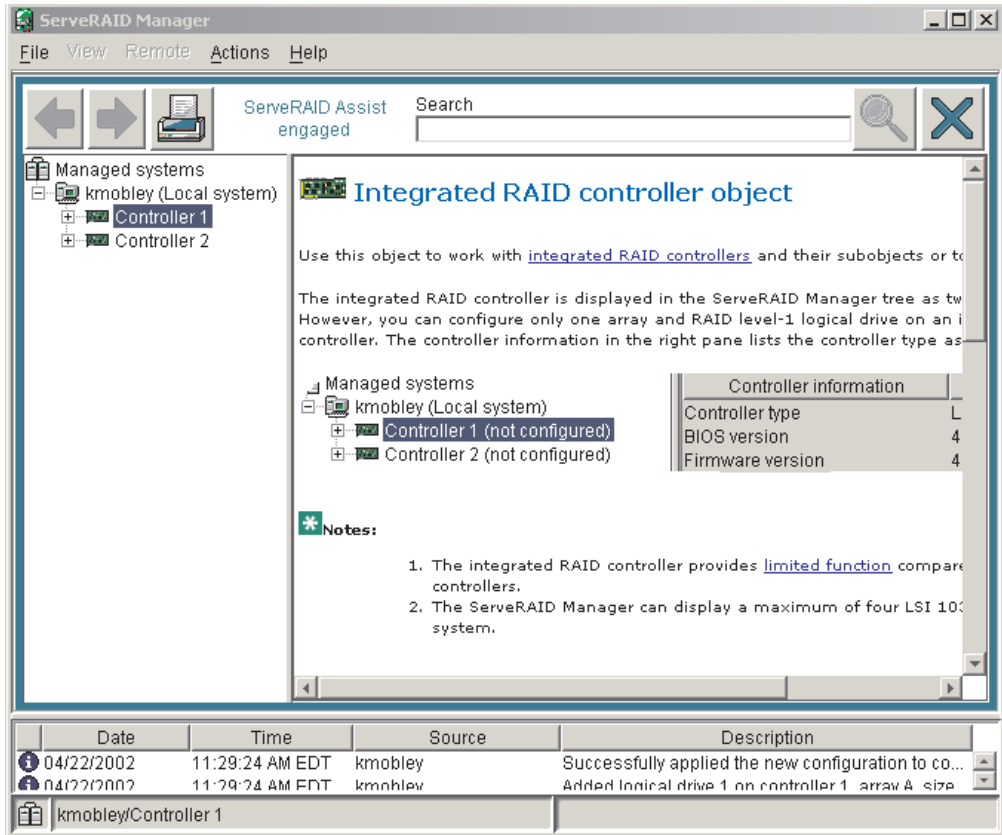


Figure 7. Hints and tips feature

Chapter 5. Updating IBM Director

If you plan to use IBM Director to manage your server, you must install the applicable IBM Director updates, which could include a Service Pack for your release of IBM Director, interim fixes, and a Director System Support Package (DSSP) for this server.

Note: For Automatic Server Restart (ASR) support and environmental-sensor support, you must install version 4.1 of IBM Director.

To install the IBM Director updates, complete the following steps, in order:

1. If you plan to enable the Automatic Server Restart (ASR) feature, install the ASR device driver, which is available from the IBM Web site:
 - a. Go to the IBM Web site at <http://www.ibm.com>.
 - b. Click **Support & downloads**.
 - c. Click **All downloads & drivers**.
 - d. In the **Enter search terms** field, type advanced system management 8649 and click **Submit**.
 - e. Select the applicable IBM Advanced System Management device driver for your server and operating system.
 - f. Click the file link for the executable file to download the file, and follow the instructions in the readme file to install the device driver.
2. Install the IBM Director application.
3. If the IBM Director CD that comes with your server includes the IBM Director Service Pack, install the Service Pack. If the CD does not contain the Service Pack, check the IBM Web site to see whether a Service Pack is available. If it is, download and install the Service Pack according to the instructions in its readme file.
4. Install any applicable interim fixes, DSSPs, and additional updates for your server from the IBM Web site:
 - a. Go to the IBM Web site at <http://www.ibm.com>.
 - b. Click **Support & downloads**.
 - c. Click **All downloads & drivers**.
 - d. In the **Enter search terms** field, type director 8649 and click **Submit**.
 - e. Select the interim fix, DSSP, or update that you want to download.
 - f. Click the file link for the executable file to download the file, and follow the instructions in the readme file to install the update.

Chapter 6. Solving problems

This section provides basic troubleshooting information to help you solve some common problems that might occur while you are setting up your server.

If you cannot locate and correct the problem using the information in this section, see Appendix A, “Getting help and technical assistance,” on page 61, the *Hardware Maintenance Manual and Troubleshooting Guide* on the IBM xSeries Documentation CD, and the “Server Support” flowchart in the front of this book.

Diagnostic tools overview

The following tools are available to help you identify and resolve hardware-related problems:

- **POST beep codes and error messages**

The power-on self-test (POST) indicates the detection of a problem. See “Power-on self-test (POST)” on page 54.

- **Diagnostic programs and error messages**

The diagnostic programs are provided on the *IBM Enhanced Diagnostics CD*. These programs test the major components of your server.

Note: See “Solving problems” in the *Hardware Maintenance Manual and Troubleshooting Guide* on the IBM xSeries® Documentation CD for information about the diagnostic programs.

- **ServerGuide problems**

This chart lists problem symptoms and steps to correct problems when using the *ServerGuide Setup and Installation CD*. See the “ServerGuide problems” on page 55 for information.

- **Troubleshooting charts**

These charts list problem symptoms and steps to correct the problems. See the “Troubleshooting charts” on page 56 for information.

- **System-board error LEDs**

An LED on the system board might also be lit to help isolate an error indicated by the system error LED on the front of the server. See the “System-board error LEDs” on page 8 for more information.

Power-on self-test (POST)

When you turn on the server, the power-on self-test (POST) performs a series of tests to check the operation of system components and some of the installed options.

If POST finishes without detecting any problems, the first window of your operating system or application program appears.

If POST detects a problem, more than one beep might sound, an error message might appear on your screen, or both.

Notes:

1. If you have a user password set, you must type the password and press Enter, when prompted, before the operating system will load.
2. A single problem might cause several error messages. When this occurs, work to correct the cause of the first error message. After you correct the cause of the first error message, the other error messages typically will resolve the next time you run the test.

POST beep codes

The possible types of beep codes are:

No beeps

No beep codes indicates that your server successfully completed POST without finding any errors.

Continuous beep

Your startup (boot) microprocessor has failed, or your system board or speaker subsystem might contain a failing component. If the system continues through POST with no errors, call for service. If no video appears, the startup processor has failed.

Beep codes for specific failures

Beep codes indicating specific system problems are listed in the *Hardware Maintenance Manual and Troubleshooting Guide* on the IBM xSeries Documentation CD.

POST error messages

The following table provides an abbreviated list of the error messages that might appear during POST.

Note: See the *Hardware Maintenance Manual and Troubleshooting Guide* on the IBM xSeries Documentation CD for more information about the POST error messages.

| POST message | Failing device or problem found | Suggested action |
|--------------|---------------------------------|--|
| 162 | Change in device configuration | Verify that your optional devices are turned on and installed correctly. |
| 163 | Time of day has not been set | Set the correct date and time. |
| 164 | Change in memory configuration | Verify that your memory is installed properly; then, restart the server and run the Configuration/Setup Utility program. |

| POST message | Failing device or problem found | Suggested action |
|-----------------------|--|---|
| 201 | Memory error | Verify that your memory is fully seated and installed properly. |
| 289 | Failing DIMM was disabled | Verify that your memory is correct for your server and that it is installed properly. |
| 301 and 303 | Keyboard and keyboard controller | Ensure that the keyboard cable is connected and nothing is resting on the keyboard keys. |
| 11xx | Serial port error | Verify that the serial cable is connected correctly. |
| 1162 | Serial port configuration error | Start the Configuration/Setup Utility program and ensure that the IRQ and I/O port assignments needed by the serial port are available. |
| 1601 | BIOS code update needed | Download and install the latest level of system BIOS code. |
| 1800 | PCI adapter hardware interrupt | Start the Configuration/Setup Utility program and verify that the interrupt resource settings are correct. |
| 2400 and 2462 | Video adapter and memory | Call for service. |
| 00180xxx | A PCI adapter requested a resource that is not available | Start the Configuration/Setup Utility program and ensure that the resources needed by the PCI adapter are available. |
| 012980xx and 012981xx | Data for microprocessor | Download and install the latest level of system BIOS code. |
| I9990305 | POST could not find an operating system | Install your operating system. |

ServerGuide problems

The following table lists problem symptoms and suggested solutions.

Table 5. ServerGuide Setup and Installation CD

| Symptom | Suggested action |
|---|---|
| ServerGuide Setup and Installation CD will not start. | <ul style="list-style-type: none"> • Ensure that the system is a supported server with a startable (bootable) CD-ROM drive. • If the startup (boot) sequence settings have been altered, ensure that the CD-ROM drive is first in the startup sequence. • If more than one CD-ROM drive is installed, ensure that only one drive is set as the primary drive. Start the CD from the primary drive. |
| ServeRAID program cannot view all installed drives - or - cannot install NOS. | <ul style="list-style-type: none"> • Ensure that there are no duplicate SCSI IDs or IRQ assignments. • Ensure that the hard disk drive is connected properly. |
| The Operating System Installation program continuously loops. | Make more space available on the hard disk. |
| ServerGuide will not start your NOS CD. | Ensure that the NOS CD you have is supported by the ServerGuide program. See the <i>ServerGuide Setup and Installation</i> CD label for a list of supported NOS versions. |
| Cannot install NOS - option is unavailable. | Ensure that the NOS is supported on your server. If the NOS is supported, either there is no logical drive defined (ServeRAID systems) or the ServerGuide System Partition is not present. Run the ServerGuide setup and configuration program, and ensure that setup is complete. |

Troubleshooting charts

The following table lists problem symptoms and suggested solutions. See the *Hardware Maintenance Manual and Troubleshooting Guide* on the IBM xSeries Documentation CD for more detailed troubleshooting charts. If you cannot find the problem in the troubleshooting charts, run the diagnostic programs. If you have run the diagnostic test programs, or if running the tests does not reveal the problem, call for service.

CD-ROM drive problems

| CD-ROM Drive symptom | Suggested action |
|---|---|
| CD-ROM drive is not recognized. | Verify that: <ul style="list-style-type: none">• The IDE channel to which the CD-ROM drive is attached (primary or secondary) is enabled in the Configuration/Setup Utility program.• All cables and jumpers are installed correctly.• The correct device driver is installed for the CD-ROM drive. If the problem remains, call for service. |
| CD is not working properly. | Clean the CD. If the problem remains, call for service. |
| CD-ROM drive tray is not working. (The server must be turned on.) | Insert the end of a straightened paper clip into the manual tray-release opening. If the problem remains, call for service. |

Diskette drive problems

| Diskette drive symptom | Suggested action |
|--|--|
| Diskette drive activity LED stays on, or the system bypasses the diskette drive. | <ol style="list-style-type: none">1. If there is a diskette in the drive, verify that:<ul style="list-style-type: none">• The diskette drive is enabled in the Configuration/Setup utility program.• The diskette is good and not damaged. (Try another diskette if you have one.)• The diskette is inserted correctly in the drive.• The diskette contains the necessary files to start the server.• The software program is working properly.• The cable is installed correctly (in the proper orientation).2. To prevent diskette drive read/write errors, be sure the distance between monitors and diskette drives is at least 76 mm (3 in.). If the problem remains, call for service. |

Hard disk drive problems

| Hard disk drive symptom | Suggested action |
|---|--|
| Not all drives are recognized by the hard disk drive diagnostic test (Fixed Disk test). | <ol style="list-style-type: none">1. Remove the first drive not recognized and try the hard disk drive diagnostic test again.2. If the remaining drives are recognized, replace the drive you removed with a new one. If the problem remains, call for service. |

Keyboard, mouse, or pointing-device problems

| Keyboard, mouse, or pointing-device symptom | Suggested action |
|---|--|
| All or some keys on the keyboard do not work. | Verify that: <ul style="list-style-type: none">• The keyboard cable is securely connected to the system, and the keyboard and mouse cables are not reversed.• Both the server and the monitor are turned on.• Try using another keyboard. If the problem remains, call for service. |
| The mouse or pointing device does not work. | Verify that: <ul style="list-style-type: none">• The mouse or pointing-device cable is securely connected, and that the keyboard and mouse cables are not reversed.• The mouse device drivers are installed correctly.• Both the server and the monitor are turned on.• Try using another mouse or pointing device. If the problem remains, call for service. |

Memory problems

| Memory symptom | Suggested action |
|---|--|
| The amount of system memory displayed is less than the amount of physical memory installed. | <ol style="list-style-type: none">1. Verify that:<ul style="list-style-type: none">• The memory modules are seated properly.• You have installed the correct type of memory.• If you changed the memory, you updated the memory configuration with the Configuration/Setup Utility program.• All banks of memory on the DIMMs are enabled. The server might have automatically disabled a DIMM bank when it detected a problem or a DIMM bank could have been manually disabled.2. Check POST error log for error message 289:<ul style="list-style-type: none">• If the DIMM was disabled by a system-management interrupt (SMI), replace the DIMM.• If the DIMM was disabled by the user or by POST:<ol style="list-style-type: none">a. Start the Configuration/Setup Utility program.b. Enable the DIMM.c. Save the configuration and restart the server. If the problem remains, call for service. |

Microprocessor problems

| Microprocessor symptom | Suggested action |
|--|-------------------|
| The server emits a continuous tone during POST. (The startup (boot) microprocessor is not working properly.) | Call for service. |

Monitor problems

| Monitor symptom | Suggested action |
|---|---|
| The screen is blank. | <p>Verify that:</p> <ul style="list-style-type: none"> • The server power cord is plugged into the server and a working electrical outlet. • The monitor cables are connected properly. • The monitor is turned on and the Brightness and Contrast controls are adjusted correctly. • If the servers are C2T chained together, verify that: <ul style="list-style-type: none"> – The C2T chain cables are securely connected to the servers. – The C2T breakout cable is connected properly. – A server that is turned on is selected. <p>Important: In some memory configurations, the 3-3-3 beep code might sound during POST followed by a blank display screen. If this occurs and the Boot Fail Count feature in the Start Options of the Configuration/Setup Utility program is set to Enabled (its default setting), you must restart the server three times to force the system BIOS code to reset the CMOS values to the default configuration (memory connector or bank of connectors enabled).</p> <p>If the problem remains, call for service.</p> |
| Only the cursor appears. | Call for service. |
| The screen is wavy, unreadable, rolling, distorted, or has screen jitter. | <p>If the monitor self-tests show the monitor is working properly, consider the location of the monitor. Magnetic fields around other devices (such as transformers, appliances, fluorescent lights, and other monitors) can cause screen jitter or wavy, unreadable, rolling, or distorted screen images. If this happens, turn off the monitor. (Moving a color monitor while it is turned on might cause screen discoloration.) Then move the device and the monitor at least 305 mm (12 in.) apart. Turn on the monitor.</p> <p>Notes:</p> <ol style="list-style-type: none"> 1. To prevent diskette drive read/write errors, be sure the distance between monitors and diskette drives is at least 76 mm (3 in.). 2. Non-IBM monitor cables might cause unpredictable problems. 3. An enhanced monitor cable with additional shielding is available for the 9521 and 9527 monitors. For information about the enhanced monitor cable, contact your IBM reseller or IBM marketing representative. <p>If the problem remains, call for service.</p> |
| Wrong characters appear on the screen. | <p>If the wrong language is displayed, update the BIOS code with the correct language.</p> <p>If the problem remains, call for service.</p> |
| No video. | <ol style="list-style-type: none"> 1. Make sure the correct machine is selected, if applicable. 2. Make sure all cables are locked down. <p>If the problem remains, call for service.</p> |

Power problems

| Power symptom | Suggested action |
|------------------------------|--|
| The server does not turn on. | Verify that: <ul style="list-style-type: none"> • The power cords are properly connected to the server. • The electrical outlet functions properly. • The type of memory installed is correct. • If you just installed an option, remove it, and restart the server. If the server now turns on, you might have installed more options than the power supply supports. If the problem remains, call for service. |

System-board error LEDs

The following illustration shows the LEDs on the system board. You might need to refer to this illustration when solving problems with the server.

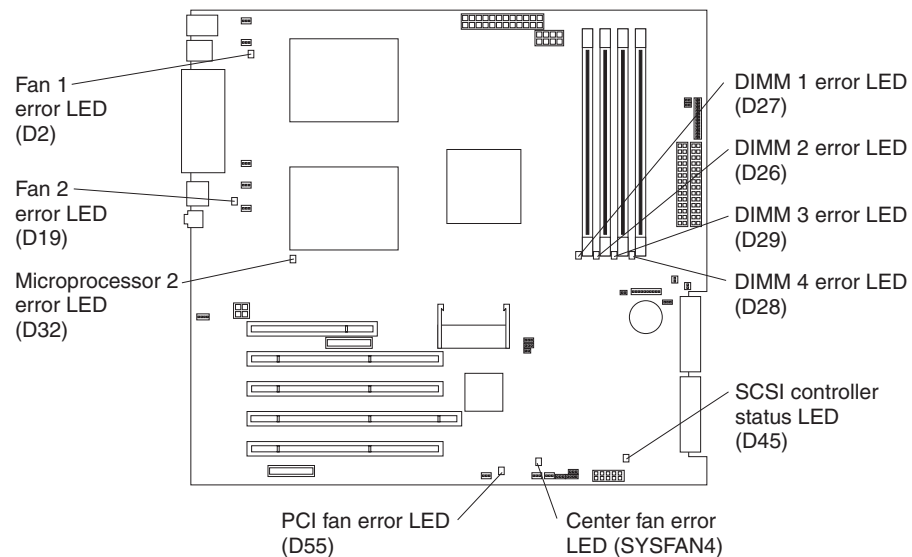


Table 6. Error LEDs

| Error LED | Without optional Remote Supervisor Adapter II | With optional Remote Supervisor Adapter II |
|---|--|--|
| DIMM error (D26, D27, D28, D29) | Memory problem (also turns on system error LED on the front bezel) | Memory problem (also turns on system error LED on the front bezel) |
| Microprocessor 2 error (D32) | Microprocessor 2 problem (also turns on system error LED on the front bezel) | Microprocessor 2 problem (also turns on system error LED on the front bezel) |
| Fan error (D2, D19, D55) | No function | Fan failure |
| Hard disk error (LEDs on hot-swap hard disk drives) | Hot-swap hard disk drive failure | Hot-swap hard disk drive failure |

Each error LED is lit to indicate a problem with a specific component. After a problem is corrected, its LED will not be lit the next time the server is restarted; if the problem remains, the LED will be lit again. See the *User's Guide* on the IBM *xSeries Documentation CD* for additional information.

Appendix A. Getting help and technical assistance

If you need help, service, or technical assistance or just want more information about IBM products, you will find a wide variety of sources available from IBM to assist you. This appendix contains information about where to go for additional information about IBM and IBM products, what to do if you experience a problem with your xSeries or IntelliStation system, and whom to call for service, if it is necessary.

Before you call

Before you call, make sure that you have taken these steps to try to solve the problem yourself:

- Check all cables to make sure that they are connected.
- Check the power switches to make sure that the system is turned on.
- Use the troubleshooting information in your system documentation, and use the diagnostic tools that come with your system. Information about diagnostic tools is in the *Hardware Maintenance Manual and Troubleshooting Guide* on the IBM *xSeries Documentation* CD or in the *IntelliStation Hardware Maintenance Manual* at the IBM Support Web site.
- Go to the IBM Support Web site at <http://www.ibm.com/pc/support/> to check for technical information, hints, tips, and new device drivers or to submit a request for information.

You can solve many problems without outside assistance by following the troubleshooting procedures that IBM provides in the online help or in the publications that are provided with your system and software. The information that comes with your system also describes the diagnostic tests that you can perform. Most xSeries and IntelliStation systems, operating systems, and programs come with information that contains troubleshooting procedures and explanations of error messages and error codes. If you suspect a software problem, see the information for the operating system or program.

Using the documentation

Information about your IBM xSeries or IntelliStation system and preinstalled software, if any, is available in the documentation that comes with your system. That documentation includes printed books, online books, README files, and help files. See the troubleshooting information in your system documentation for instructions for using the diagnostic programs. The troubleshooting information or the diagnostic programs might tell you that you need additional or updated device drivers or other software. IBM maintains pages on the World Wide Web where you can get the latest technical information and download device drivers and updates. To access these pages, go to <http://www.ibm.com/pc/support/> and follow the instructions. Also, you can order publications through the IBM Publications Ordering System at <http://www.elink.ibm.com/public/applications/publications/cgibin/pbi.cgi>.

Getting help and information from the World Wide Web

On the World Wide Web, the IBM Web site has up-to-date information about IBM xSeries and IntelliStation products, services, and support. The address for IBM xSeries information is <http://www.ibm.com/eserver/xseries/>. The address for IBM IntelliStation information is <http://www.ibm.com/pc/intellistation/>.

You can find service information for your IBM products, including supported options, at <http://www.ibm.com/pc/support/>.

Software service and support

Through IBM Support Line, you can get telephone assistance, for a fee, with usage, configuration, and software problems with xSeries servers, IntelliStation workstations, and appliances. For information about which products are supported by Support Line in your country or region, go to <http://www.ibm.com/services/sl/products/>.

For more information about Support Line and other IBM services, go to <http://www.ibm.com/services/>, or go to <http://www.ibm.com/planetwide/> for support telephone numbers. In the U.S. and Canada, call 1-800-IBM-SERV (1-800-426-7378).

Hardware service and support

You can receive hardware service through IBM Integrated Technology Services or through your IBM reseller, if your reseller is authorized by IBM to provide warranty service. Go to <http://www.ibm.com/planetwide/> for support telephone numbers, or in the U.S. and Canada, call 1-800-IBM-SERV (1-800-426-7378).

In the U.S. and Canada, hardware service and support is available 24 hours a day, 7 days a week. In the U.K., these services are available Monday through Friday, from 9 a.m. to 6 p.m.

Appendix B. IBM Statement of Limited Warranty Z125-4753-07 11/2002

Part 1 - General Terms

Part 1 - General Terms

*This Statement of Limited Warranty includes Part 1 - General Terms, Part 2 - Country-unique Terms, and Part 3 - Warranty Information. The terms of Part 2 replace or modify those of Part 1. The warranties provided by IBM in this Statement of Limited Warranty apply only to Machines you purchase for your use, and not for resale. The term "Machine" means an IBM machine, its features, conversions, upgrades, elements, or accessories, or any combination of them. The term "Machine" does not include any software programs, whether pre-loaded with the Machine, installed subsequently or otherwise. **Nothing in this Statement of Limited Warranty affects any statutory rights of consumers that cannot be waived or limited by contract.***

What this Warranty Covers

IBM warrants that each Machine 1) is free from defects in materials and workmanship and 2) conforms to IBM's Official Published Specifications ("Specifications") which are available on request. The warranty period for the Machine starts on the original Date of Installation and is specified in Part 3 - Warranty Information. The date on your invoice or sales receipt is the Date of Installation unless IBM or your reseller informs you otherwise. Many features, conversions, or upgrades involve the removal of parts and their return to IBM. A part that replaces a removed part will assume the warranty service status of the removed part. Unless IBM specifies otherwise, these warranties apply only in the country or region in which you purchased the Machine.

THESE WARRANTIES ARE YOUR EXCLUSIVE WARRANTIES AND REPLACE ALL OTHER WARRANTIES OR CONDITIONS, EXPRESS OR IMPLIED, INCLUDING, BUT NOT LIMITED TO, THE IMPLIED WARRANTIES OR CONDITIONS OF MERCHANTABILITY AND FITNESS FOR A PARTICULAR PURPOSE. SOME STATES OR JURISDICTIONS DO NOT ALLOW THE EXCLUSION OF EXPRESS OR IMPLIED WARRANTIES, SO THE ABOVE EXCLUSION MAY NOT APPLY TO YOU. IN THAT EVENT, SUCH WARRANTIES ARE LIMITED IN DURATION TO THE WARRANTY PERIOD. NO WARRANTIES APPLY AFTER THAT PERIOD. SOME STATES OR JURISDICTIONS DO NOT ALLOW LIMITATIONS ON HOW LONG AN IMPLIED WARRANTY LASTS, SO THE ABOVE LIMITATION MAY NOT APPLY TO YOU.

What this Warranty Does not Cover

This warranty does not cover the following:

- any software programs, whether pre-loaded or shipped with the Machine, or installed subsequently;
- failure resulting from misuse (including but not limited to use of any Machine capacity or capability, other than that authorized by IBM in writing), accident, modification, unsuitable physical or operating environment, or improper maintenance by you;
- failure caused by a product for which IBM is not responsible; and
- any non-IBM products, including those that IBM may procure and provide with or integrate into an IBM Machine at your request.

The warranty is voided by removal or alteration of identification labels on the Machine or its parts.

IBM does not warrant uninterrupted or error-free operation of a Machine.

Any technical or other support provided for a Machine under warranty, such as assistance via telephone with “how-to” questions and those regarding Machine set-up and installation, is provided **WITHOUT WARRANTIES OF ANY KIND**.

How to Obtain Warranty Service

If the Machine does not function as warranted during the warranty period, contact IBM or your reseller to obtain warranty service. If you do not register the Machine with IBM, you may be required to present proof of purchase as evidence of your entitlement to warranty service.

What IBM Will Do to Correct Problems

When you call for service, you must follow the problem determination and resolution procedures that IBM specifies. A technician will attempt to make an initial diagnosis of your problem and help you resolve it over the telephone.

The type of warranty service applicable to your Machine is specified in Part 3 - Warranty Information.

You are responsible for downloading and installing designated Machine Code (microcode, basic input/output system code (called “BIOS”), utility programs, device drivers, and diagnostics delivered with an IBM Machine) and other software updates from an IBM Internet Web site or from other electronic media, and following the instructions that IBM provides.

If your problem can be resolved with a Customer Replaceable Unit (“CRU”) (e.g., keyboard, mouse, speaker, memory, hard disk drive and other easily replaceable parts), IBM will ship these parts to you for replacement by you.

If the Machine does not function as warranted during the warranty period and your problem cannot be resolved over the telephone, through your application of Machine Code or software updates, or with a CRU, IBM or your reseller, if approved by IBM to provide warranty service, will either, at its discretion, 1) repair it to make it function as warranted, or 2) replace it with one that is at least functionally equivalent. If IBM is unable to do either, you may return the Machine to your place of purchase and your money will be refunded.

IBM or your reseller will also manage and install selected engineering changes that apply to the Machine.

Exchange of a Machine or Part

When the warranty service involves the exchange of a Machine or part, the item IBM or your reseller replaces becomes its property and the replacement becomes yours. You represent that all removed items are genuine and unaltered. The replacement may not be new, but will be in good working order and at least functionally equivalent to the item replaced. The replacement assumes the warranty service status of the replaced item.

Your Additional Responsibilities

Before IBM or your reseller exchanges a Machine or part, you agree to remove all features, parts, options, alterations, and attachments not under warranty service.

You also agree to:

1. ensure that the Machine is free of any legal obligations or restrictions that prevent its exchange;
2. obtain authorization from the owner to have IBM or your reseller service a Machine that you do not own; and
3. where applicable, before service is provided:
 - a. follow the service request procedures that IBM or your reseller provides;
 - b. backup or secure all programs, data, and funds contained in the Machine;
 - c. provide IBM or your reseller with sufficient, free, and safe access to your facilities to permit IBM to fulfill its obligations; and
 - d. inform IBM or your reseller of changes in the Machine's location.
4. (a) ensure all information about identified or identifiable individuals (Personal Data) is deleted from the Machine (to the extent technically possible), (b) allow IBM, your reseller or an IBM supplier to process on your behalf any remaining Personal Data as IBM or your reseller considers necessary to fulfill its obligations under this Statement of Limited Warranty (which may include shipping the Machine for such processing to other IBM service locations around the world), and (c) ensure that such processing complies with any laws applicable to such Personal Data.

Limitation of Liability

IBM is responsible for loss of, or damage to, your Machine only while it is 1) in IBM's possession or 2) in transit in those cases where IBM is responsible for the transportation charges.

Neither IBM nor your reseller are responsible for any of your confidential, proprietary or personal information contained in a Machine which you return to IBM for any reason. You should remove all such information from the Machine prior to its return.

Circumstances may arise where, because of a default on IBM's part or other liability, you are entitled to recover damages from IBM. In each such instance, regardless of the basis on which you are entitled to claim damages from IBM (including fundamental breach, negligence, misrepresentation, or other contract or tort claim), except for any liability that cannot be waived or limited by applicable laws, IBM is liable for no more than

1. damages for bodily injury (including death) and damage to real property and tangible personal property; and
2. the amount of any other actual direct damages, up to the charges (if recurring, 12 months' charges apply) for the Machine that is subject of the claim. For purposes of this item, the term "Machine" includes Machine Code and Licensed Internal Code ("LIC").

This limit also applies to IBM's suppliers and your reseller. It is the maximum for which IBM, its suppliers, and your reseller are collectively responsible.

UNDER NO CIRCUMSTANCES IS IBM, ITS SUPPLIERS OR RESELLERS LIABLE FOR ANY OF THE FOLLOWING EVEN IF INFORMED OF THEIR POSSIBILITY: 1) THIRD PARTY CLAIMS AGAINST YOU FOR DAMAGES (OTHER THAN THOSE UNDER THE FIRST ITEM LISTED ABOVE); 2) LOSS OF, OR DAMAGE TO, DATA; 3) SPECIAL, INCIDENTAL, OR INDIRECT DAMAGES OR FOR ANY ECONOMIC CONSEQUENTIAL DAMAGES; OR 4) LOST

PROFITS, BUSINESS REVENUE, GOODWILL OR ANTICIPATED SAVINGS. SOME STATES OR JURISDICTIONS DO NOT ALLOW THE EXCLUSION OR LIMITATION OF INCIDENTAL OR CONSEQUENTIAL DAMAGES, SO THE ABOVE LIMITATION OR EXCLUSION MAY NOT APPLY TO YOU. SOME STATES OR JURISDICTIONS DO NOT ALLOW LIMITATIONS ON HOW LONG AN IMPLIED WARRANTY LASTS, SO THE ABOVE LIMITATION MAY NOT APPLY TO YOU.

Governing Law

Both you and IBM consent to the application of the laws of the country in which you acquired the Machine to govern, interpret, and enforce all of your and IBM's rights, duties, and obligations arising from, or relating in any manner to, the subject matter of this Statement of Limited Warranty, without regard to conflict of law principles.

THESE WARRANTIES GIVE YOU SPECIFIC LEGAL RIGHTS AND YOU MAY ALSO HAVE OTHER RIGHTS WHICH VARY FROM STATE TO STATE OR JURISDICTION TO JURISDICTION.

Jurisdiction

All of our rights, duties, and obligations are subject to the courts of the country in which you acquired the Machine.

Part 2 - Country-unique Terms

AMERICAS

ARGENTINA

Governing Law: *The following is added after the first sentence:*

Any litigation arising from this Statement of Limited Warranty will be settled exclusively by the Ordinary Commercial Court of the city of Buenos Aires.

BRAZIL

Governing Law: *The following is added after the first sentence:*

Any litigation arising from this Statement of Limited Warranty will be settled exclusively by the court of Rio de Janeiro, RJ.

PERU

Limitation of Liability: *The following is added at the end of this section:*

In accordance with Article 1328 of the Peruvian Civil Code the limitations and exclusions specified in this section will not apply to damages caused by IBM's willful misconduct ("dolo") or gross negligence ("culpa inexcusable").

NORTH AMERICA

How to Obtain Warranty Service: *The following is added to this Section:*

To obtain warranty service from IBM in Canada or the United States, call 1-800-IBM-SERV (426-7378).

CANADA

Limitation of Liability: *The following replaces item 1 of this section:*

1. damages for bodily injury (including death) or physical harm to real property and tangible personal property caused by IBM's negligence; and

Governing Law: *The following replaces "laws of the country in which you acquired the Machine" in the first sentence:*

laws in the Province of Ontario.

UNITED STATES

Governing Law: *The following replaces "laws of the country in which you acquired the Machine" in the first sentence:*

laws of the State of New York.

ASIA PACIFIC

AUSTRALIA

What this Warranty Covers: *The following paragraph is added to this section:*

The warranties specified in this Section are in addition to any rights you may have under the Trade Practices Act 1974 or other similar legislation and are only limited to the extent permitted by the applicable legislation.

Limitation of Liability: *The following is added to this section:*

Where IBM is in breach of a condition or warranty implied by the Trade Practices Act 1974 or other similar legislation, IBM's liability is limited to the repair or replacement of the goods or the supply of equivalent goods. Where that condition or warranty relates to right to sell, quiet possession or clear title, or the goods are of a kind ordinarily acquired for personal, domestic or household use or consumption, then none of the limitations in this paragraph apply.

Governing Law: *The following replaces "laws of the country in which you acquired the Machine" in the first sentence:*

laws of the State or Territory.

CAMBODIA, LAOS, AND VIETNAM

Governing Law: *The following replaces "laws of the country in which you acquired the Machine" in the first sentence:*

laws of the State of New York, United States of America.

CAMBODIA, INDONESIA, LAOS, AND VIETNAM

Arbitration: *The following is added under this heading:*

Disputes arising out of or in connection with this Statement of Limited Warranty shall be finally settled by arbitration which shall be held in Singapore in accordance with the Arbitration Rules of Singapore International Arbitration Center ("SIAC Rules") then in effect. The arbitration award shall be final and binding for the parties without appeal and shall be in writing and set forth the findings of fact and the conclusions of law.

The number of arbitrators shall be three, with each side to the dispute being entitled to appoint one arbitrator. The two arbitrators appointed by the parties shall appoint a third arbitrator who shall act as chairman of the proceedings. Vacancies in the post of chairman shall be filled by the president of the SIAC. Other vacancies shall

be filled by the respective nominating party. Proceedings shall continue from the stage they were at when the vacancy occurred.

If one of the parties refuses or otherwise fails to appoint an arbitrator within 30 days of the date the other party appoints its, the first appointed arbitrator shall be the sole arbitrator, provided that the arbitrator was validly and properly appointed.

All proceedings shall be conducted, including all documents presented in such proceedings, in the English language. The English language version of this Statement of Limited Warranty prevails over any other language version.

HONG KONG S.A.R. OF CHINA AND MACAU S.A.R. OF CHINA

Governing Law: *The following replaces “laws of the country in which you acquired the Machine” in the first sentence:*

laws of Hong Kong Special Administrative Region of China.

INDIA

Limitation of Liability: *The following replaces items 1 and 2 of this section:*

1. liability for bodily injury (including death) or damage to real property and tangible personal property will be limited to that caused by IBM's negligence; and
2. as to any other actual damage arising in any situation involving nonperformance by IBM pursuant to, or in any way related to the subject of this Statement of Limited Warranty, the charge paid by you for the individual Machine that is the subject of the claim. For purposes of this item, the term “Machine” includes Machine Code and Licensed Internal Code (“LIC”).

Arbitration: *The following is added under this heading:*

Disputes arising out of or in connection with this Statement of Limited Warranty shall be finally settled by arbitration which shall be held in Bangalore, India in accordance with the laws of India then in effect. The arbitration award shall be final and binding for the parties without appeal and shall be in writing and set forth the findings of fact and the conclusions of law.

The number of arbitrators shall be three, with each side to the dispute being entitled to appoint one arbitrator. The two arbitrators appointed by the parties shall appoint a third arbitrator who shall act as chairman of the proceedings. Vacancies in the post of chairman shall be filled by the president of the Bar Council of India. Other vacancies shall be filled by the respective nominating party. Proceedings shall continue from the stage they were at when the vacancy occurred.

If one of the parties refuses or otherwise fails to appoint an arbitrator within 30 days of the date the other party appoints its, the first appointed arbitrator shall be the sole arbitrator, provided that the arbitrator was validly and properly appointed.

All proceedings shall be conducted, including all documents presented in such proceedings, in the English language. The English language version of this Statement of Limited Warranty prevails over any other language version.

JAPAN

Governing Law: *The following sentence is added to this section:*

Any doubts concerning this Statement of Limited Warranty will be initially resolved between us in good faith and in accordance with the principle of mutual trust.

MALAYSIA

Limitation of Liability: *The word “SPECIAL” in item 3 of the fifth paragraph is deleted.*

NEW ZEALAND

What this Warranty Covers: *The following paragraph is added to this section:*

The warranties specified in this section are in addition to any rights you may have under the Consumer Guarantees Act 1993 or other legislation which cannot be excluded or limited. The Consumer Guarantees Act 1993 will not apply in respect of any goods which IBM provides, if you require the goods for the purposes of a business as defined in that Act.

Limitation of Liability: *The following is added to this section:*

Where Machines are not acquired for the purposes of a business as defined in the Consumer Guarantees Act 1993, the limitations in this section are subject to the limitations in that Act.

PEOPLE’S REPUBLIC OF CHINA (PRC)

Governing Law: *The following replaces “laws of the country in which you acquired the Machine” in the first sentence:*

laws of the State of New York, United States of America (except when local law requires otherwise).

PHILIPPINES

Limitation of Liability: *Item 3 in the fifth paragraph is replaced by the following:*

SPECIAL (INCLUDING NOMINAL AND EXEMPLARY DAMAGES), MORAL, INCIDENTAL, OR INDIRECT DAMAGES FOR ANY ECONOMIC CONSEQUENTIAL DAMAGES; OR

Arbitration: *The following is added under this heading:*

Disputes arising out of or in connection with this Statement of Limited Warranty shall be finally settled by arbitration which shall be held in Metro Manila, Philippines in accordance with the laws of the Philippines then in effect. The arbitration award shall be final and binding for the parties without appeal and shall be in writing and set forth the findings of fact and the conclusions of law.

The number of arbitrators shall be three, with each side to the dispute being entitled to appoint one arbitrator. The two arbitrators appointed by the parties shall appoint a third arbitrator who shall act as chairman of the proceedings. Vacancies in the post of chairman shall be filled by the president of the Philippine Dispute Resolution Center, Inc. Other vacancies shall be filled by the respective nominating party. Proceedings shall continue from the stage they were at when the vacancy occurred.

If one of the parties refuses or otherwise fails to appoint an arbitrator within 30 days of the date the other party appoints its, the first appointed arbitrator shall be the sole arbitrator, provided that the arbitrator was validly and properly appointed.

All proceedings shall be conducted, including all documents presented in such proceedings, in the English language. The English language version of this Statement of Limited Warranty prevails over any other language version.

SINGAPORE

Limitation of Liability: *The words “SPECIAL” and “ECONOMIC” in item 3 in the fifth paragraph are deleted.*

EUROPE, MIDDLE EAST, AFRICA (EMEA)

THE FOLLOWING TERMS APPLY TO ALL EMEA COUNTRIES:

The terms of this Statement of Limited Warranty apply to Machines purchased from IBM or an IBM reseller.

Hot to Obtain Warranty Service: If you purchase a Machine in Austria, Belgium, Cyprus, Denmark, Estonia, Finland, France, Germany, Greece, Iceland, Ireland, Italy, Latvia, Liechtenstein, Lithuania, Luxembourg, Monaco, Netherlands, Norway, Portugal, Spain, San Marino, Sweden, Switzerland, United Kingdom or Vatican State, you may obtain warranty service for that Machine in any of those countries from either (1) an IBM reseller approved to perform warranty service or (2) from IBM, provided the Machine has been announced and made available by IBM in the country in which you wish to obtain service. If you purchased a Personal Computer Machine in Albania, Armenia, Belarus, Bosnia and Herzegovina, Bulgaria, Croatia, Czech Republic, Georgia, Hungary, Kazakhstan, Kyrgyzstan, Federal Republic of Yugoslavia, Former Yugoslav Republic of Macedonia (FYROM), Moldova, Poland, Romania, Russia, Slovak Republic, Slovenia, or Ukraine, you may obtain warranty service for that Machine in any of those countries from either (1) an IBM reseller approved to perform warranty service or (2) from IBM.

If you purchase a Machine in a Middle Eastern or African country, you may obtain warranty service for that Machine from the IBM entity within the country of purchase, if that IBM entity provides warranty service in that country, or from an IBM reseller, approved by IBM to perform warranty service on that Machine in that country. Warranty service in Africa is available within 50 kilometers of an IBM approved service provider. You are responsible for transportation costs for Machines located outside 50 kilometers of an IBM approved service provider.

*Add the following paragraph in **Western Europe** (Austria, Belgium, Cyprus, Denmark, Finland, France, Germany, Greece, Iceland, Ireland, Italy, Liechtenstein, Luxembourg, Monaco, Netherlands, Norway, Portugal, Spain, San Marino, Sweden, Switzerland, United Kingdom, Vatican State):*

The warranty for Machines acquired in Western Europe shall be valid and applicable in all Western Europe countries provided the Machines have been announced and made available in such countries.

Governing Law:

The phrase “the laws of the country in which you acquired the Machine” is replaced by:

1) “the laws of Austria” in **Albania, Armenia, Azerbaijan, Belarus, Bosnia-Herzegovina, Bulgaria, Croatia, Georgia, Hungary, Kazakhstan, Kyrgyzstan, FYR Macedonia, Moldova, Poland, Romania, Russia, Slovakia, Slovenia, Tajikistan, Turkmenistan, Ukraine, Uzbekistan, and FR Yugoslavia;** 2)

“the laws of France” in **Algeria, Benin, Burkina Faso, Cameroon, Cape Verde, Central African Republic, Chad, Comoros, Congo Republic, Djibouti, Democratic Republic of Congo, Equatorial Guinea, French Guiana, French Polynesia, Gabon, Gambia, Guinea, Guinea-Bissau, Ivory Coast, Lebanon, Madagascar, Mali, Mauritania, Mauritius, Mayotte, Morocco, New Caledonia, Niger, Reunion, Senegal, Seychelles, Togo, Tunisia, Vanuatu, and Wallis & Futuna**; 3) “the laws of Finland” in **Estonia, Latvia, and Lithuania**; 4) “the laws of England” in **Angola, Bahrain, Botswana, Burundi, Egypt, Eritrea, Ethiopia, Ghana, Jordan, Kenya, Kuwait, Liberia, Malawi, Malta, Mozambique, Nigeria, Oman, Pakistan, Qatar, Rwanda, Sao Tome, Saudi Arabia, Sierra Leone, Somalia, Tanzania, Uganda, United Arab Emirates, the United Kingdom, West Bank/Gaza, Yemen, Zambia, and Zimbabwe**; and 5) “the laws of South Africa” in **South Africa, Namibia, Lesotho and Swaziland**.

Jurisdiction: *The following exceptions are added to this section:*

1) **In Austria** the choice of jurisdiction for all disputes arising out of this Statement of Limited Warranty and relating thereto, including its existence, will be the competent court of law in Vienna, Austria (Inner-City); 2) **in Angola, Bahrain, Botswana, Burundi, Egypt, Eritrea, Ethiopia, Ghana, Jordan, Kenya, Kuwait, Liberia, Malawi, Malta, Mozambique, Nigeria, Oman, Pakistan, Qatar, Rwanda, Sao Tome, Saudi Arabia, Sierra Leone, Somalia, Tanzania, Uganda, United Arab Emirates, West Bank/Gaza, Yemen, Zambia, and Zimbabwe** all disputes arising out of this Statement of Limited Warranty or related to its execution, including summary proceedings, will be submitted to the exclusive jurisdiction of the English courts; 3) in **Belgium and Luxembourg**, all disputes arising out of this Statement of Limited Warranty or related to its interpretation or its execution, the law, and the courts of the capital city, of the country of your registered office and/or commercial site location only are competent; 4) **in France, Algeria, Benin, Burkina Faso, Cameroon, Cape Verde, Central African Republic, Chad, Comoros, Congo Republic, Djibouti, Democratic Republic of Congo, Equatorial Guinea, French Guiana, French Polynesia, Gabon, Gambia, Guinea, Guinea-Bissau, Ivory Coast, Lebanon, Madagascar, Mali, Mauritania, Mauritius, Mayotte, Morocco, New Caledonia, Niger, Reunion, Senegal, Seychelles, Togo, Tunisia, Vanuatu, and Wallis & Futuna** all disputes arising out of this Statement of Limited Warranty or related to its violation or execution, including summary proceedings, will be settled exclusively by the Commercial Court of Paris; 5) **in Russia**, all disputes arising out of or in relation to the interpretation, the violation, the termination, the nullity of the execution of this Statement of Limited Warranty shall be settled by Arbitration Court of Moscow; 6) **in South Africa, Namibia, Lesotho and Swaziland**, both of us agree to submit all disputes relating to this Statement of Limited Warranty to the jurisdiction of the High Court in Johannesburg; 7) **in Turkey** all disputes arising out of or in connection with this Statement of Limited Warranty shall be resolved by the Istanbul Central (Sultanahmet) Courts and Execution Directorates of Istanbul, the Republic of Turkey; 8) in each of the following specified countries, any legal claim arising out of this Statement of Limited Warranty will be brought before, and settled exclusively by, the competent court of a) Athens for **Greece**, b) Tel Aviv-Jaffa for **Israel**, c) Milan for **Italy**, d) Lisbon for **Portugal**, and e) Madrid for **Spain**; and 9) **in the United Kingdom**, both of us agree to submit all disputes relating to this Statement of Limited Warranty to the jurisdiction of the English courts.

Arbitration: *The following is added under this heading:*

In Albania, Armenia, Azerbaijan, Belarus, Bosnia-Herzegovina, Bulgaria, Croatia, Georgia, Hungary, Kazakhstan, Kyrgyzstan, FYR Macedonia, Moldova,

Poland, Romania, Russia, Slovakia, Slovenia, Tajikistan, Turkmenistan, Ukraine, Uzbekistan, and FR Yugoslavia all disputes arising out of this Statement of Limited Warranty or related to its violation, termination or nullity will be finally settled under the Rules of Arbitration and Conciliation of the International Arbitral Center of the Federal Economic Chamber in Vienna (Vienna Rules) by three arbitrators appointed in accordance with these rules. The arbitration will be held in Vienna, Austria, and the official language of the proceedings will be English. The decision of the arbitrators will be final and binding upon both parties. Therefore, pursuant to paragraph 598 (2) of the Austrian Code of Civil Procedure, the parties expressly waive the application of paragraph 595 (1) figure 7 of the Code. IBM may, however, institute proceedings in a competent court in the country of installation.

In Estonia, Latvia and Lithuania all disputes arising in connection with this Statement of Limited Warranty will be finally settled in arbitration that will be held in Helsinki, Finland in accordance with the arbitration laws of Finland then in effect. Each party will appoint one arbitrator. The arbitrators will then jointly appoint the chairman. If arbitrators cannot agree on the chairman, then the Central Chamber of Commerce in Helsinki will appoint the chairman.

EUROPEAN UNION (EU)

THE FOLLOWING TERMS APPLY TO ALL EU COUNTRIES:

Consumers have legal rights under applicable national legislation governing the sale of consumer goods. Such rights are not affected by the warranties provided in this Statement of Limited Warranty.

How to Obtain Warranty Service: *The following is added to this section:*

To obtain warranty service from IBM in EU countries, see the telephone listing in Part 3 - Warranty Information.

You may contact IBM at the following address:

IBM Warranty & Service Quality Dept.
PO Box 30
Spango Valley
Greenock
Scotland PA16 0AH

AUSTRIA, DENMARK, FINLAND, GREECE, ITALY, NETHERLANDS, PORTUGAL, SPAIN, SWEDEN AND SWITZERLAND

Limitation of Liability: *The following replaces the terms of this section in its entirety:*

Except as otherwise provided by mandatory law:

1. IBM's liability for any damages and losses that may arise as a consequence of the fulfillment of its obligations under or in connection with this Statement of Limited Warranty or due to any other cause related to this Statement of Limited Warranty is limited to the compensation of only those damages and losses proved and actually arising as an immediate and direct consequence of the non-fulfillment of such obligations (if IBM is at fault) or of such cause, for a maximum amount equal to the charges you paid for the Machine. For purposes of this item, the term "Machine" includes Machine Code and Licensed Internal Code ("LIC").

The above limitation shall not apply to damages for bodily injuries (including death) and damages to real property and tangible personal property for which IBM is legally liable.

2. **UNDER NO CIRCUMSTANCES IS IBM, ITS SUPPLIERS OR RESELLERS LIABLE FOR ANY OF THE FOLLOWING, EVEN IF INFORMED OF THEIR POSSIBILITY: 1) LOSS OF, OR DAMAGE TO, DATA; 2) INCIDENTAL OR INDIRECT DAMAGES, OR FOR ANY ECONOMIC CONSEQUENTIAL DAMAGES; 3) LOST PROFITS, EVEN IF THEY ARISE AS AN IMMEDIATE CONSEQUENCE OF THE EVENT THAT GENERATED THE DAMAGES; OR 4) LOSS OF BUSINESS, REVENUE, GOODWILL, OR ANTICIPATED SAVINGS.**

FRANCE AND BELGIUM

Limitation of Liability: *The following replaces the terms of this section in its entirety:*

Except as otherwise provided by mandatory law:

1. IBM's liability for any damages and losses that may arise as a consequence of the fulfillment of its obligations under or in connection with this Statement of Limited Warranty is limited to the compensation of only those damages and losses proved and actually arising as an immediate and direct consequence of the non-fulfillment of such obligations (if IBM is at fault), for a maximum amount equal to the charges you paid for the Machine that has caused the damages. For purposes of this item, the term "Machine" includes Machine Code and Licensed Internal Code ("LIC").

The above limitation shall not apply to damages for bodily injuries (including death) and damages to real property and tangible personal property for which IBM is legally liable.

2. **UNDER NO CIRCUMSTANCES IS IBM, ITS SUPPLIERS OR RESELLERS LIABLE FOR ANY OF THE FOLLOWING, EVEN IF INFORMED OF THEIR POSSIBILITY: 1) LOSS OF, OR DAMAGE TO, DATA; 2) INCIDENTAL OR INDIRECT DAMAGES, OR FOR ANY ECONOMIC CONSEQUENTIAL DAMAGES; 3) LOST PROFITS, EVEN IF THEY ARISE AS AN IMMEDIATE CONSEQUENCE OF THE EVENT THAT GENERATED THE DAMAGES; OR 4) LOSS OF BUSINESS, REVENUE, GOODWILL, OR ANTICIPATED SAVINGS.**

THE FOLLOWING TERMS APPLY TO THE COUNTRY SPECIFIED:

AUSTRIA

What this Warranty Covers: *The following replaces the first sentence of the first paragraph of this section:*

The warranty for an IBM Machine covers the functionality of the Machine for its normal use and the Machine's conformity to its Specifications.

The following paragraphs are added to this section:

The warranty period for Machines is 12 months from the date of delivery. The limitation period for consumers in action for breach of warranty is the statutory period as a minimum. In case IBM or your reseller is unable to repair an IBM Machine, you can alternatively ask for a partial refund as far as justified by the reduced value of the unrepaired Machine or ask for a cancellation of the respective agreement for such Machine and get your money refunded.

The second paragraph does not apply.

What IBM Will Do to Correct Problems: *The following is added to this section:*

During the warranty period, transportation for delivery of the failing Machine to IBM will be at IBM's expense.

Limitation of Liability: *The following paragraph is added to this section:*

The limitations and exclusions specified in the Statement of Limited Warranty will not apply to damages caused by IBM with fraud or gross negligence and for express warranty.

The following sentence is added to the end of item 2:

IBM's liability under this item is limited to the violation of essential contractual terms in cases of ordinary negligence.

EGYPT

Limitation of Liability: *The following replaces item 2 in this section:*

as to any other actual direct damages, IBM's liability will be limited to the total amount you paid for the Machine that is the subject of the claim. For purposes of this item, the term "Machine" includes Machine Code and Licensed Internal Code ("LIC").

Applicability of suppliers and resellers (unchanged).

FRANCE

Limitation of Liability: *The following replaces the second sentence of the first paragraph of this section:*

In such instances, regardless of the basis on which you are entitled to claim damages from IBM, IBM is liable for no more than: (items 1 and 2 unchanged).

GERMANY

What this Warranty Covers: *The following replaces the first sentence of the first paragraph of this section:*

The warranty for an IBM Machine covers the functionality of the Machine for its normal use and the Machine's conformity to its Specifications.

The following paragraphs are added to this section:

The minimum warranty period for Machines is twelve months. In case IBM or your reseller is unable to repair an IBM Machine, you can alternatively ask for a partial refund as far as justified by the reduced value of the unrepaired Machine or ask for a cancellation of the respective agreement for such Machine and get your money refunded.

The second paragraph does not apply.

What IBM Will Do to Correct Problems: *The following is added to this section:*

During the warranty period, transportation for delivery of the failing Machine to IBM will be at IBM's expense.

Limitation of Liability: *The following paragraph is added to this section:*

The limitations and exclusions specified in the Statement of Limited Warranty will not apply to damages caused by IBM with fraud or gross negligence and for express warranty.

The following sentence is added to the end of item 2:

IBM's liability under this item is limited to the violation of essential contractual terms in cases of ordinary negligence.

HUNGARY

Limitation of Liability: *The following is added at the end of this section:*

The limitation and exclusion specified herein shall not apply to liability for a breach of contract damaging life, physical well-being, or health that has been caused intentionally, by gross negligence, or by a criminal act.

The parties accept the limitations of liability as valid provisions and state that the Section 314.(2) of the Hungarian Civil Code applies as the acquisition price as well as other advantages arising out of the present Statement of Limited Warranty balance this limitation of liability.

IRELAND

What this Warranty Covers: *The following is added to this section:*

Except as expressly provided in these terms and conditions, all statutory conditions, including all warranties implied, but without prejudice to the generality of the foregoing all warranties implied by the Sale of Goods Act 1893 or the Sale of Goods and Supply of Services Act 1980 are hereby excluded.

Limitation of Liability: *The following replaces the terms of this section in its entirety:*

For the purposes of this section, a "Default" means any act, statement, omission, or negligence on the part of IBM in connection with, or in relation to, the subject matter of this Statement of Limited Warranty in respect of which IBM is legally liable to you, whether in contract or tort. A number of Defaults which together result in, or contribute to, substantially the same loss or damage will be treated as one Default occurring on the date of occurrence of the last such Default.

Circumstances may arise where, because of a Default, you are entitled to recover damages from IBM.

This section sets out the extent of IBM's liability and your sole remedy.

1. IBM will accept unlimited liability for death or personal injury caused by the negligence of IBM.
2. Subject always to the **Items for Which IBM is Not Liable** below, IBM will accept unlimited liability for physical damage to your tangible property resulting from the negligence of IBM.

3. Except as provided in items 1 and 2 above, IBM's entire liability for actual damages for any one Default will not in any event exceed the greater of 1) EUR 125,000, or 2) 125% of the amount you paid for the Machine directly relating to the Default.

Items for Which IBM is Not Liable

Save with respect to any liability referred to in item 1 above, under no circumstances is IBM, its suppliers or resellers liable for any of the following, even if IBM or they were informed of the possibility of such losses:

1. loss of, or damage to, data;
2. special, indirect, or consequential loss; or
3. loss of profits, business, revenue, goodwill, or anticipated savings.

SLOVAKIA

Limitation of Liability: *The following is added to the end of the last paragraph:*

The limitations apply to the extent they are not prohibited under §§ 373-386 of the Slovak Commercial Code.

SOUTH AFRICA, NAMIBIA, BOTSWANA, LESOTHO AND SWAZILAND

Limitation of Liability: *The following is added to this section:*

IBM's entire liability to you for actual damages arising in all situations involving nonperformance by IBM in respect of the subject matter of this Statement of Warranty will be limited to the charge paid by you for the individual Machine that is the subject of your claim from IBM.

UNITED KINGDOM

Limitation of Liability: *The following replaces the terms of this section in its entirety:*

For the purposes of this section, a "Default" means any act, statement, omission, or negligence on the part of IBM in connection with, or in relation to, the subject matter of this Statement of Limited Warranty in respect of which IBM is legally liable to you, whether in contract or tort. A number of Defaults which together result in, or contribute to, substantially the same loss or damage will be treated as one Default.

Circumstances may arise where, because of a Default, you are entitled to recover damages from IBM.

This section sets out the extent of IBM's liability and your sole remedy.

1. IBM will accept unlimited liability for:
 - a. death or personal injury caused by the negligence of IBM; and
 - b. any breach of its obligations implied by Section 12 of the Sale of Goods Act 1979 or Section 2 of the Supply of Goods and Services Act 1982, or any statutory modification or re-enactment of either such Section.
2. IBM will accept unlimited liability, subject always to the **Items for Which IBM is Not Liable** below, for physical damage to your tangible property resulting from the negligence of IBM.
3. IBM's entire liability for actual damages for any one Default will not in any event, except as provided in items 1 and 2 above, exceed the greater of 1) Pounds

Sterling 75,000, or 2) 125% of the total purchase price payable or the charges for the Machine directly relating to the Default.

These limits also apply to IBM's suppliers and resellers. They state the maximum for which IBM and such suppliers and resellers are collectively responsible.

Items for Which IBM is Not Liable

Save with respect to any liability referred to in item 1 above, under no circumstances is IBM or any of its suppliers or resellers liable for any of the following, even if IBM or they were informed of the possibility of such losses:

1. loss of, or damage to, data;
2. special, indirect, or consequential loss; or
3. loss of profits, business, revenue, goodwill, or anticipated savings.

Part 3 - Warranty Information

This Part 3 provides information regarding the warranty applicable to your Machine, including the warranty period and type of warranty service IBM provides.

Warranty Period

The warranty period may vary by country or region and is specified in the table below.

Note: "Region" means either Hong Kong or Macau Special Administrative Region of China.

Machine - IBM @server xSeries 225 Type 8649

| Country or region | Warranty period | Type of Warranty Service* |
|---|-----------------------------------|---------------------------|
| Worldwide | Parts - 1 year, labor - 1 year | 2 |
| *See "Types of Warranty Service" for the legend and explanations of warranty-service types. | | |

Types of Warranty Service

If required, IBM provides repair or exchange service depending on the type of warranty service specified for your Machine in the above table and as described below. Warranty service may be provided by your reseller if approved by IBM to perform warranty service. Scheduling of service will depend upon the time of your call and is subject to parts availability. Service levels are response time objectives and are not guaranteed. The specified level of warranty service may not be available in all worldwide locations, additional charges may apply outside IBM's normal service area, contact your local IBM representative or your reseller for country and location specific information.

1. Customer Replaceable Unit ("CRU") Service

IBM will ship CRU parts to you for your replacement. If IBM instructs you to return the replaced CRU, you are responsible for returning it to IBM in accordance with IBM's instructions. If you do not return the defective CRU, if IBM so instructs, within 30 days of your receipt of the replacement CRU, IBM may charge you for the replacement.

2. On-site Service

IBM or your reseller will either repair or exchange the failing Machine at your location and verify its operation. You must provide suitable working area to allow disassembly and reassembly of the IBM Machine. The area must be clean, well lit and suitable for the purpose. **For some Machines, certain repairs may require sending the Machine to an IBM service center.**

3. Courier or Depot Service*

You will disconnect the failing Machine for collection arranged by IBM. IBM will provide you with a shipping container for you to return your Machine to a designated service center. A courier will pick up your Machine and deliver it to the designated service center. Following its repair or exchange, IBM will arrange the return delivery of the Machine to your location. You are responsible for its installation and verification.

4. Customer Carry-In or Mail-In Service

You will deliver or mail as IBM specifies (prepaid unless IBM specifies otherwise) the failing Machine suitably packaged to a location IBM designates. After IBM has repaired or exchanged the Machine, IBM will make it available for your collection or, for Mail-in Service, IBM will return it to you at IBM's expense, unless IBM specifies otherwise. You are responsible for the subsequent installation and verification of the Machine.

* This type of service is called ThinkPad® EasyServ or EasyServ in some countries.

The IBM Machine Warranty World Wide Web site at http://www.ibm.com/servers/support/machine_warranties/ provides a worldwide overview of IBM Limited Warranty for Machines, a Glossary of IBM definitions, Frequently Asked Questions (FAQs) and Support by Product (Machine) with links to Product Support pages. **The IBM Statement of Limited Warranty is also available on this site in 29 languages.**

To obtain warranty service contact IBM or your IBM reseller. In Canada or the United States, call 1-800-IBM-SERV (426-7378). In the EU countries, see the telephone numbers below.

EU Country Telephone List

Phone numbers are subject to change without notice.

| | |
|----------------------------|---------------------------------|
| Austria -- 43-1-24592-5901 | Italy -- 39-02-482-9202 |
| Belgium -- 02-718-4339 | Luxembourg -- 352-360385-1 |
| Denmark -- 4520-8200 | Netherlands -- 020-514-5770 |
| Finland -- 358-9-4591 | Portugal -- 351-21-7915-147 |
| France -- 0238-557-450 | Spain -- 34-91-662-4916 |
| Germany -- 07032-15-4920 | Sweden -- 46-8-477-4420 |
| Greece -- 30-210-688-1220 | United Kingdom -- 01475-555-055 |
| Ireland -- 353-1-815-4000 | |

Appendix C. Notices

This information was developed for products and services offered in the U.S.A.

IBM may not offer the products, services, or features discussed in this document in other countries. Consult your local IBM representative for information on the products and services currently available in your area. Any reference to an IBM product, program, or service is not intended to state or imply that only that IBM product, program, or service may be used. Any functionally equivalent product, program, or service that does not infringe any IBM intellectual property right may be used instead. However, it is the user's responsibility to evaluate and verify the operation of any non-IBM product, program, or service.

IBM may have patents or pending patent applications covering subject matter described in this document. The furnishing of this document does not give you any license to these patents. You can send license inquiries, in writing, to:

*IBM Director of Licensing
IBM Corporation
North Castle Drive
Armonk, NY 10504-1785
U.S.A.*

INTERNATIONAL BUSINESS MACHINES CORPORATION PROVIDES THIS PUBLICATION "AS IS" WITHOUT WARRANTY OF ANY KIND, EITHER EXPRESS OR IMPLIED, INCLUDING, BUT NOT LIMITED TO, THE IMPLIED WARRANTIES OF NON-INFRINGEMENT, MERCHANTABILITY OR FITNESS FOR A PARTICULAR PURPOSE. Some states do not allow disclaimer of express or implied warranties in certain transactions, therefore, this statement may not apply to you.

This information could include technical inaccuracies or typographical errors. Changes are periodically made to the information herein; these changes will be incorporated in new editions of the publication. IBM may make improvements and/or changes in the product(s) and/or the program(s) described in this publication at any time without notice.

Any references in this information to non-IBM Web sites are provided for convenience only and do not in any manner serve as an endorsement of those Web sites. The materials at those Web sites are not part of the materials for this IBM product, and use of those Web sites is at your own risk.

IBM may use or distribute any of the information you supply in any way it believes appropriate without incurring any obligation to you.

Edition notice

© Copyright International Business Machines Corporation 2004. All rights reserved.

U.S. Government Users Restricted Rights — Use, duplication, or disclosure restricted by GSA ADP Schedule Contract with IBM Corp.

Trademarks

The following terms are trademarks of International Business Machines Corporation in the United States, other countries, or both:

| | |
|-----------------------------|-------------------|
| Active Memory | PS/2 |
| Active PCI | ServeRAID |
| Active PCI-X | ServerGuide |
| Alert on LAN | ServerProven |
| C2T Interconnect | TechConnect |
| Chipkill | ThinkPad |
| EtherJet | Tivoli |
| e-business logo | Tivoli Enterprise |
| @server | Update Connector |
| FlashCopy | Wake on LAN |
| IBM | XA-32 |
| IntelliStation | XA-64 |
| NetBAY | X-Architecture |
| Netfinity | XcelL4 |
| NetView | XpandOnDemand |
| OS/2 WARP | xSeries |
| Predictive Failure Analysis | |

Lotus, Lotus Notes, SmartSuite, and Domino are trademarks of Lotus Development Corporation and/or IBM Corporation in the United States, other countries, or both.

Intel, MMX, and Pentium are trademarks of Intel Corporation in the United States, other countries, or both.

Microsoft, Windows, and Windows NT are trademarks of Microsoft Corporation in the United States, other countries, or both.

UNIX is a registered trademark of The Open Group in the United States and other countries.

Java and all Java-based trademarks and logos are trademarks or registered trademarks of Sun Microsystems, Inc. in the United States, other countries, or both.

Other company, product, or service names may be trademarks or service marks of others.

Important notes

Processor speeds indicate the internal clock speed of the microprocessor; other factors also affect application performance.

CD-ROM drive speeds list the variable read rate. Actual speeds vary and are often less than the maximum possible.

When referring to processor storage, real and virtual storage, or channel volume, KB stands for approximately 1000 bytes, MB stands for approximately 1 000 000 bytes, and GB stands for approximately 1 000 000 000 bytes.

When referring to hard disk drive capacity or communications volume, MB stands for 1 000 000 bytes, and GB stands for 1 000 000 000 bytes. Total user-accessible capacity may vary depending on operating environments.

Maximum internal hard disk drive capacities assume the replacement of any standard hard disk drives and population of all hard disk drive bays with the largest currently supported drives available from IBM.

Maximum memory may require replacement of the standard memory with an optional memory module.

IBM makes no representation or warranties regarding non-IBM products and services that are ServerProven, including but not limited to the implied warranties of merchantability and fitness for a particular purpose. These products are offered and warranted solely by third parties.

IBM makes no representations or warranties with respect to non-IBM products. Support (if any) for the non-IBM products is provided by the third party, not IBM.

Some software may differ from its retail version (if available), and may not include user manuals or all program functionality.

Product recycling and disposal

This unit contains materials such as circuit boards, cables, electromagnetic compatibility gaskets, and connectors which may contain lead and copper/beryllium alloys that require special handling and disposal at end of life. Before this unit is disposed of, these materials must be removed and recycled or discarded according to applicable regulations. IBM offers product-return programs in several countries. For country-specific instructions, refer to the following Web site:
<http://www.ibm.com/ibm/environment/products/prp.shtml>.

Battery return program

This product may contain a sealed lead acid, nickel cadmium, nickel metal hydride, lithium, or lithium ion battery. Consult your user manual or service manual for specific battery information. The battery must be recycled or disposed of properly. Recycling facilities may not be available in your area. For information on disposal of batteries outside the United States, go to <http://www.ibm.com/ibm/environment/products/batteryrecycle.shtml> or contact your local waste disposal facility.

In the United States, IBM has established a collection process for reuse, recycling, or proper disposal of used IBM sealed lead acid, nickel cadmium, nickel metal hydride, and battery packs from IBM equipment. For information on proper disposal of these batteries, contact IBM at 1-800-426-4333. Have the IBM part number listed on the battery available prior to your call.

In the Netherlands, the following applies.



Electronic emission notices

Federal Communications Commission (FCC) statement

Note: This equipment has been tested and found to comply with the limits for a Class A digital device, pursuant to Part 15 of the FCC Rules. These limits are designed to provide reasonable protection against harmful interference when the equipment is operated in a commercial environment. This equipment generates, uses, and can radiate radio frequency energy and, if not installed and used in accordance with the instruction manual, may cause harmful interference to radio communications. Operation of this equipment in a residential area is likely to cause harmful interference, in which case the user will be required to correct the interference at his own expense.

Properly shielded and grounded cables and connectors must be used in order to meet FCC emission limits. Properly shielded and grounded cables and connectors must be used in order to meet FCC emission limits. IBM is not responsible for any radio or television interference caused by using other than recommended cables and connectors or by using other than recommended cables and connectors or by unauthorized changes or modifications to this equipment. Unauthorized changes or modifications could void the user's authority to operate the equipment.

This device complies with Part 15 of the FCC Rules. Operation is subject to the following two conditions: (1) this device may not cause harmful interference, and (2) this device must accept any interference received, including interference that may cause undesired operation.

Industry Canada Class A emission compliance statement

This Class A digital apparatus complies with Canadian ICES-003.

Avis de conformité à la réglementation d'Industrie Canada

Cet appareil numérique de la classe A est conforme à la norme NMB-003 du Canada.

Australia and New Zealand Class A statement

Attention: This is a Class A product. In a domestic environment this product may cause radio interference in which case the user may be required to take adequate measures.

United Kingdom telecommunications safety requirement

Notice to Customers

This apparatus is approved under approval number NS/G/1234/J/100003 for indirect connection to public telecommunication systems in the United Kingdom.

European Union EMC Directive conformance statement

This product is in conformity with the protection requirements of EU Council Directive 89/336/EEC on the approximation of the laws of the Member States relating to electromagnetic compatibility. IBM cannot accept responsibility for any failure to satisfy the protection requirements resulting from a nonrecommended modification of the product, including the fitting of non-IBM option cards.

This product has been tested and found to comply with the limits for Class A Information Technology Equipment according to CISPR 22/European Standard EN 55022. The limits for Class A equipment were derived for commercial and industrial environments to provide reasonable protection against interference with licensed communication equipment.

Attention: This is a Class A product. In a domestic environment this product may cause radio interference in which case the user may be required to take adequate measures.

Taiwanese Class A warning statement

警告使用者：
這是甲類的資訊產品，在居住的環境中使用時，可能會造成射頻干擾，在這種情況下，使用者會被要求採取某些適當的對策。

Chinese Class A warning statement

声 明
此为 A 级产品。在生活环境中，
该产品可能会造成无线电干扰。
在这种情况下，可能需要用户对其
干扰采取切实可行的措施。

Japanese Voluntary Control Council for Interference (VCCI) statement

この装置は、情報処理装置等電波障害自主規制協議会（VCCI）の基準に基づくクラスA情報技術装置です。この装置を家庭環境で使用すると電波妨害を引き起こすことがあります。この場合には使用者が適切な対策を講ずるよう要求されることがあります。

Power cords

For your safety, IBM provides a power cord with a grounded attachment plug to use with this IBM product. To avoid electrical shock, always use the power cord and plug with a properly grounded outlet.

IBM power cords used in the United States and Canada are listed by Underwriter's Laboratories (UL) and certified by the Canadian Standards Association (CSA).

For units intended to be operated at 115 volts: Use a UL-listed and CSA-certified cord set consisting of a minimum 18 AWG, Type SVT or SJT, three-conductor cord, a maximum of 15 feet in length and a parallel blade, grounding-type attachment plug rated 15 amperes, 125 volts.

For units intended to be operated at 230 volts (U.S. use): Use a UL-listed and CSA-certified cord set consisting of a minimum 18 AWG, Type SVT or SJT, three-conductor cord, a maximum of 15 feet in length and a tandem blade, grounding-type attachment plug rated 15 amperes, 250 volts.

For units intended to be operated at 230 volts (outside the U.S.): Use a cord set with a grounding-type attachment plug. The cord set should have the appropriate safety approvals for the country in which the equipment will be installed.

IBM power cords for a specific country or region are usually available only in that country or region.

| IBM power cord part number | Used in these countries and regions |
|----------------------------|---|
| 02K0546 | China |
| 13F9940 | Australia, Fiji, Kiribati, Nauru, New Zealand, Papua New Guinea |

| IBM power cord part number | Used in these countries and regions |
|-----------------------------------|---|
| 13F9979 | Afghanistan, Albania, Algeria, Andorra, Angola, Armenia, Austria, Azerbaijan, Belarus, Belgium, Benin, Bosnia and Herzegovina, Bulgaria, Burkina Faso, Burundi, Cambodia, Cameroon, Cape Verde, Central African Republic, Chad, Comoros, Congo (Democratic Republic of), Congo (Republic of), Cote D'Ivoire (Ivory Coast), Croatia (Republic of), Czech Republic, Dahomey, Djibouti, Egypt, Equatorial Guinea, Eritrea, Estonia, Ethiopia, Finland, France, French Guyana, French Polynesia, Germany, Greece, Guadeloupe, Guinea, Guinea Bissau, Hungary, Iceland, Indonesia, Iran, Kazakhstan, Kyrgyzstan, Laos (People's Democratic Republic of), Latvia, Lebanon, Lithuania, Luxembourg, Macedonia (former Yugoslav Republic of), Madagascar, Mali, Martinique, Mauritania, Mauritius, Mayotte, Moldova (Republic of), Monaco, Mongolia, Morocco, Mozambique, Netherlands, New Caledonia, Niger, Norway, Poland, Portugal, Reunion, Romania, Russian Federation, Rwanda, Sao Tome and Principe, Saudi Arabia, Senegal, Serbia, Slovakia, Slovenia (Republic of), Somalia, Spain, Suriname, Sweden, Syrian Arab Republic, Tajikistan, Tahiti, Togo, Tunisia, Turkey, Turkmenistan, Ukraine, Upper Volta, Uzbekistan, Vanuatu, Vietnam, Wallis and Futuna, Yugoslavia (Federal Republic of), Zaire |
| 13F9997 | Denmark |
| 14F0015 | Bangladesh, Lesotho, Maceo, Maldives, Namibia, Nepal, Pakistan, Samoa, South Africa, Sri Lanka, Swaziland, Uganda |
| 14F0033 | Abu Dhabi, Bahrain, Botswana, Brunei Darussalam, Channel Islands, China (Hong Kong S.A.R.), Cyprus, Dominica, Gambia, Ghana, Grenada, Iraq, Ireland, Jordan, Kenya, Kuwait, Liberia, Malawi, Malaysia, Malta, Myanmar (Burma), Nigeria, Oman, Polynesia, Qatar, Saint Kitts and Nevis, Saint Lucia, Saint Vincent and the Grenadines, Seychelles, Sierra Leone, Singapore, Sudan, Tanzania (United Republic of), Trinidad and Tobago, United Arab Emirates (Dubai), United Kingdom, Yemen, Zambia, Zimbabwe |
| 14F0051 | Liechtenstein, Switzerland |
| 14F0069 | Chile, Italy, Libyan Arab Jamahiriya |
| 14F0087 | Israel |
| 1838574 | Antigua and Barbuda, Aruba, Bahamas, Barbados, Belize, Bermuda, Bolivia, Brazil, Caicos Islands, Canada, Cayman Islands, Costa Rica, Colombia, Cuba, Dominican Republic, Ecuador, El Salvador, Guam, Guatemala, Haiti, Honduras, Jamaica, Japan, Mexico, Micronesia (Federal States of), Netherlands Antilles, Nicaragua, Panama, Peru, Philippines, Taiwan, United States of America, Venezuela |
| 24P6858 | Korea (Democratic People's Republic of), Korea (Republic of) |
| 34G0232 | Japan |
| 36L8880 | Argentina, Paraguay, Uruguay |
| 49P2078 | India |
| 49P2110 | Brazil |

| IBM power cord part number | Used in these countries and regions |
|-----------------------------------|---|
| 6952300 | Antigua and Barbuda, Aruba, Bahamas, Barbados, Belize, Bermuda, Bolivia, Caicos Islands, Canada, Cayman Islands, Colombia, Costa Rica, Cuba, Dominican Republic, Ecuador, El Salvador, Guam, Guatemala, Haiti, Honduras, Jamaica, Mexico, Micronesia (Federal States of), Netherlands Antilles, Nicaragua, Panama, Peru, Philippines, Saudi Arabia, Thailand, Taiwan, United States of America, Venezuela |

Index

A

- AC power LED 37
- acoustical noise emissions 4
- adapter
 - considerations 14
 - full length 14
 - installing 15
 - PCI 14
 - PCI bus 15
 - PCI bus, identification 14
 - retention bracket 5
 - SCSI 18
 - support bracket 5
- air-baffle assembly, illustration 5
- attention notices 3

B

- battery
 - recycle program 81
- battery connector 6
- bay identification, hot-swap drive 26
- bays, filler panel 21
- beep codes 54
- bezel
 - installing 34
 - removing 12
 - replacing 34

C

- cable, connectors 7
- cables
 - internal drives 25
 - power 25
 - power and signal 25
 - signal 25
- cabling
 - connectors on back 36
 - SCSI adapter 18
 - system-board external connectors 7
 - system-board internal connectors 7
- caution statements 3
- CD-ROM drive
 - activity LED 37
 - eject button 37
 - installing 19
 - problems 56
- Class A electronic emission notice 82
- components
 - major 5
 - system board 6
- configuration
 - custom 46
 - fine-tuning 48
 - ServeRAID programs 41
 - summary window 47

- configuration (*continued*)
 - updating 36
- Configuration/Setup Utility 42
- configuring your server 41
- connectors
 - adapter 6
 - battery 6
 - cable 7
 - external port 7
 - internal cable 7
 - memory 6
 - microprocessor 6
 - port 7
 - system board 6
 - VRM 6
- controller, SCSI 18
- controls 37
- controls and indicators 37
- cooling 4
- cover
 - replacing 35
- custom configuration 46

D

- danger statements 3
- DC power LED 37
- diagnostic tools 53
- DIMM connector
 - installing memory 28
 - locations 28
- DIMM retaining clips 29
- diskette drive
 - activity LED 37
 - installing 19, 21, 23
 - problem 56
- diskette eject button 37
- documentation CD 2
- drive
 - bay filler panel 21
 - hot-swap
 - bay identification 26
 - installing 26
 - support 26
 - installation 21, 23
 - preinstallation 21
- drives, installing 19

E

- eject button
 - CD-ROM 37
 - diskette 37
- electrical input 4
- electronic emission Class A notice 82
- environment 4
- error LED 8, 59

error messages 54
Ethernet
 activity LED 38
 link status LED 37

F

FCC Class A notice 82
filler panel 21
filler panel, hard disk drive bay 27

H

handling static-sensitive devices 10
hard disk drive
 activity LED 38
 installing 19
heat output 4
hot-swap and hot-plug devices
 drives 5, 26
 fans 5
hot-swap drive
 bay identification 26
 installing 26

I

IBM Director 51
important notices 3
indicators 37
installation order, memory modules 28
installing
 adapters 15
 bezel 34
 cover 35
 drives in bays 5, 6, or 7 23
 hot-swap drive 26
 internal drives 19
 memory modules 28
 microprocessor 30
 options 9
 security rope clip 33
integrated RAID controller
 configuring 44
 using ServerRAID Manager 44
internal
 drive bays 19
 drives, installing 19

K

keyboard problems 57
keys 2

L

LED, error 8
LEDs
 AC power 37
 DC power 37

LEDs (*continued*)
 error 59
 hard disk drive activity 38
LSI Logic Configuration Utility 41
 starting 43

M

major components 5
memory
 installing 28
 modules 28
 problems 57
memory module
 order of installation 28
 specifications 4
 supported 28
microprocessor
 heat sink 32
 installing 30
 problems 57
 specifications 4
mouse problems 57

N

notes 3
notes, important 81
notices
 electronic emission 82
 FCC, Class A 82
notices and statements 3

O

online publications 1
options, installing 9
order of installation, memory modules 28

P

PCI
 adapters 14
 bus A 14
 bus B 15
 expansion slots 14
PCI expansion slots 4
pointing device problems 57
port, connectors 7
POST 54
 beep codes 54
 error messages 54
power control-button 38
power cords 84
power problems 59
power supply specifications 4
power switch 38
power-on LED 38
power-on self-test (POST) 54
power-on self-test (POST) beep codes 53

- problems
 - CD-ROM drive 56
 - diskette drive 56
 - keyboard 57
 - memory 57
 - microprocessor 57
 - mouse 57
 - pointing device 57
 - power 59
 - solving 53

R

- removable media drives, installing 19
- removing
 - bezel 12
 - support bracket 13
- replace
 - bezel 34
 - cover 35
- retaining clips, DIMM 29

S

- safety information
 - laser vii, 21
 - lifting viii
- SCSI connector location 7
- SCSI controller cabling 18
- SCSI, IDs 27
- security, U-bolt 33
- ServeRAID Manager 48
 - Configuration wizard 44
 - (illus.) 44
 - Custom configuration 44
 - description 43
 - Express configuration 44
 - online help 49
 - overview 43
 - startable-CD mode 43
- ServeRAID programs 41
- ServerGuide
 - CDs 41
 - error symptoms 55
- ServerGuide CD 1
- size 4
- solving problems 53
- startable-CD mode 43
- starting
 - LSI Logic Configuration Utility 43
 - the server 39
- statements and notices 3
- static electricity 10
- static-sensitive devices, handling 10
- status LEDs 37
- support bracket, removing 13
- system board
 - connectors
 - external port 7
 - internal cable 7
 - SCSI 7

- system board (*continued*)
 - LEDs 8, 59
- system error LED 38
- system reliability 9

T

- tape drive, installing 19
- thermal material, heat sink 32
- trademarks 80
- troubleshooting chart 56
- turning on the server 39

U

- United States electronic emission Class A notice 82
- United States FCC Class A notice 82
- utility
 - Configuration/Setup 42
 - ServeRAID Manager 43

V

- video controller 4

W

- Web site
 - compatible options 9
- weight 4



Part Number: 90P3091

Printed in USA

(1P) P/N: 90P3091

