



Rack Mounting Instructions

Review the documentation that comes with your rack cabinet for safety and cabling information. When installing your server in a rack cabinet, consider the following:

- Two or more people are required to install the device in a rack cabinet.
- Ensure the room air temperature is below 35°C (95°F).
- Do not block any air vents, usually 15 cm (6 in.) of air space provides proper airflow.
- Plan the device installation starting from the bottom of the rack cabinet.
- Install the heaviest device in the bottom of the rack cabinet.
- Do not extend more than one device out of the rack cabinet at the same time.
- Remove the rack doors and side panels to provide easier access during installation.



Use safe practices when lifting.



≥18 kg (39.7 lb)



≥32 kg (70.5 lb)



≥55 kg (121.2 lb)

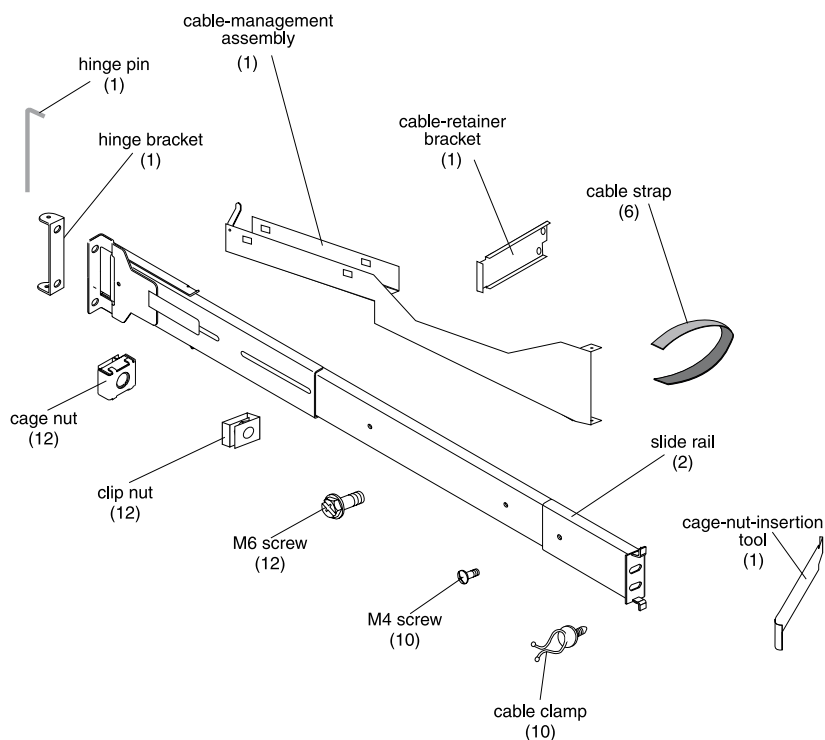


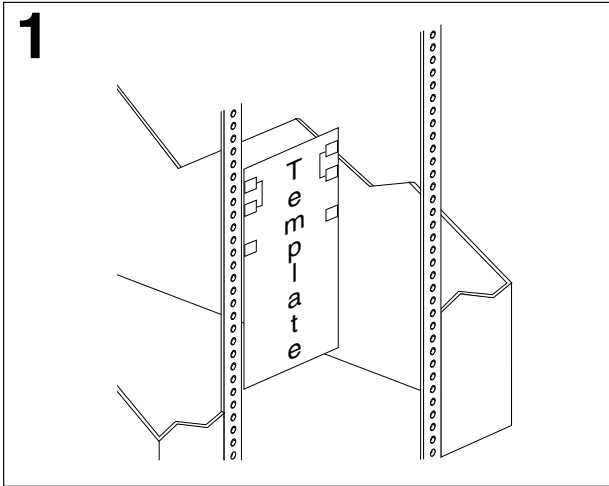
Do not place any object weighing more than 50 kg (110 lb) on top of rack-mounted devices.



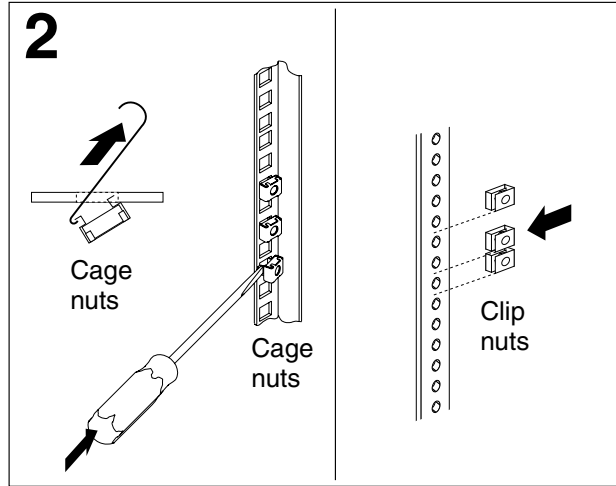
>50 kg (110 lb)

You will need a flat-blade and a Phillips screwdriver during the installation. The following illustration shows the items that you need to install the server in your rack cabinet. If any items are missing or damaged, contact your place of purchase.

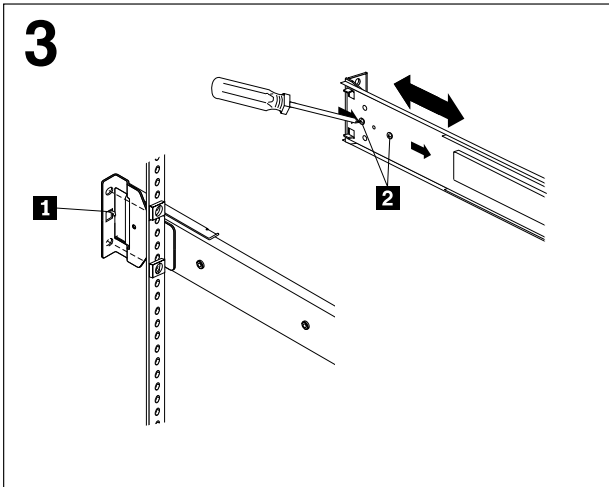




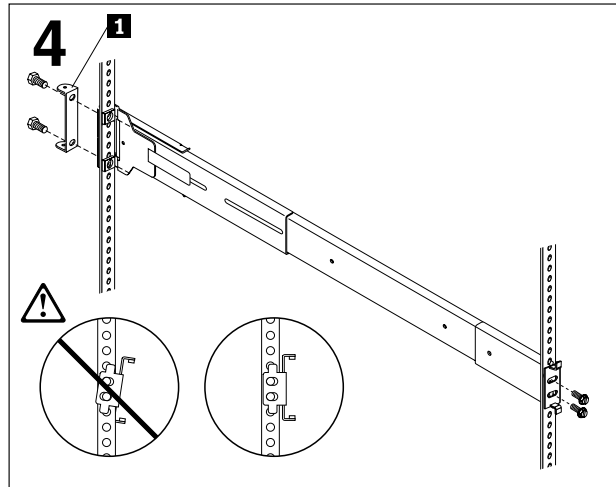
Use the attached stickers to mark the holes on the front and rear of the rack cabinet as indicated by the arrows on the attached rack mounting template.



Install cage nuts or clip nuts as required for your rack cabinet. Use the cage-nut-insertion tool or a flat-blade screwdriver to install cage nuts.



Use the tab **1** on the rear of the slide rail to align the slide rail to the rear of the rack cabinet. If it is necessary to adjust the length of the slide rail, loosen the screws **2** on the rear of the rail.



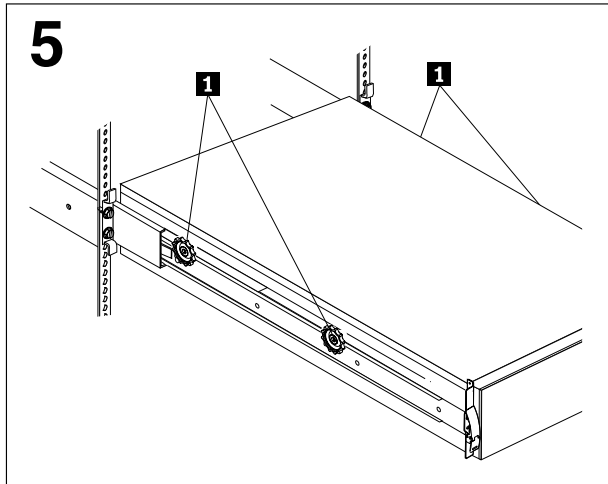
To install the left slide rail, ensure that the front slide-rail brackets are vertically aligned; then, insert and fully tighten both front M6 screws. Install the hinge bracket **1** before you insert the rear screws; then, partially tighten both rear M6 screws.

To install the right slide-rail, ensure that the front slide-rail brackets are vertically aligned; then, insert and fully tighten both front M6 screws. Insert and partially tighten both rear M6 screws.

IBM is a trademark of the IBM Corporation in the United States, other countries, or both.

© Copyright International Business Machines Corporation 2001. All rights reserved.

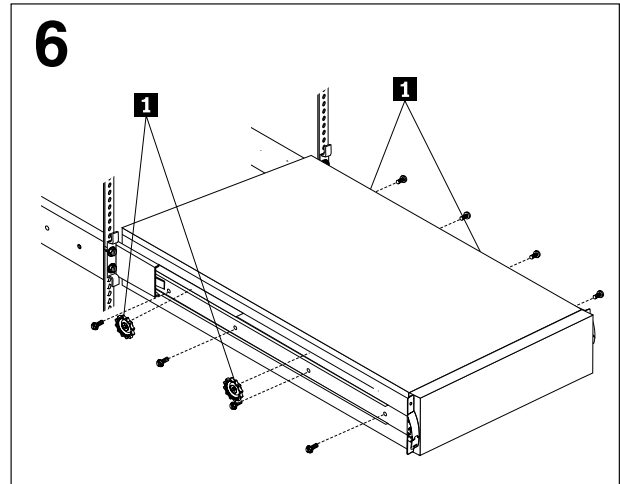
Note to U.S. Government Users — Documentation related to restricted rights — Use, duplication or disclosure is subject to restrictions set forth in GSA ADP Schedule Contract with IBM Corp.



If you loosened the screws to adjust the length of the rail, tighten them now; then, fully extend the slide rails out of the rack cabinet until the slide rails lock into place.

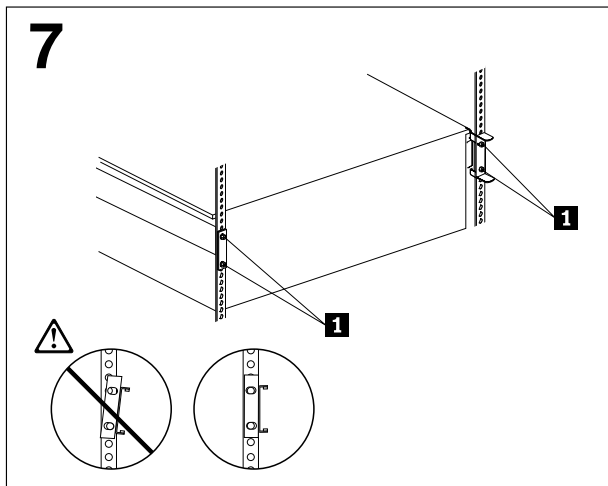
Attention: To avoid injury, do not place your fingers around the rack-support wheels **1** when lowering the server onto the rails.

Lift the server above the rails and rest the rack-support wheels **1** on the slide rails.

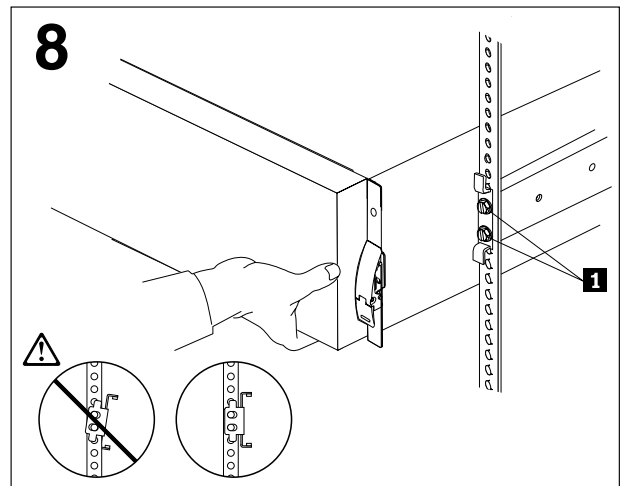


Use four M4 screws per side to secure the server to the rails; then, remove the rack-support wheels **1** and store them in a safe place.

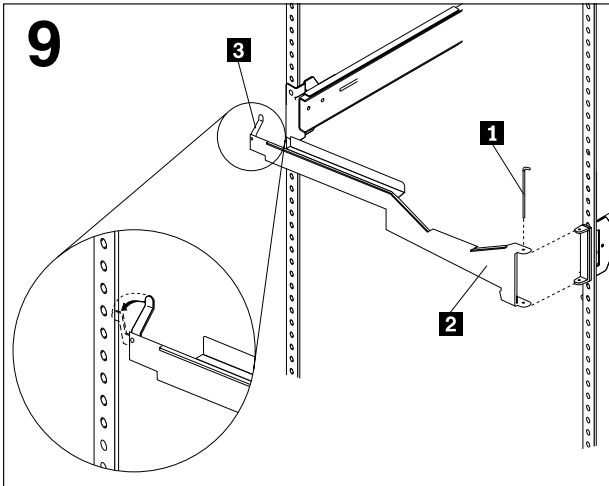
Note: The rack-support wheels are required if you remove the server from the rack cabinet.



Press in on the slide-rail safety latches so that you can slide the server fully into the rack cabinet. Ensure that the rear slide-rail brackets are vertically aligned; then, fully tighten the rear M6 screws **1** on both slide rails.

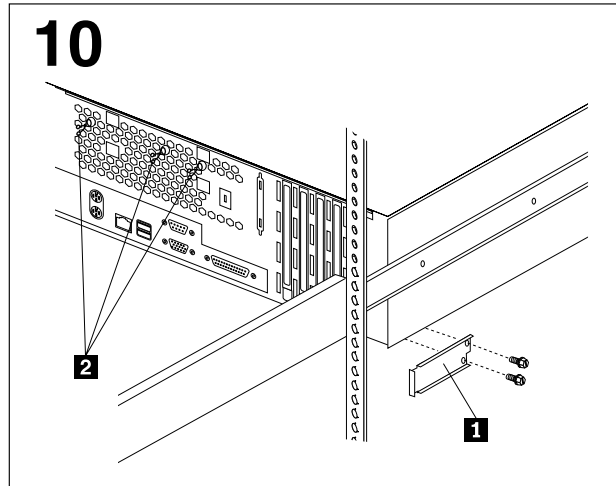


Slide the server halfway out of the rack cabinet; then, loosen but do not remove the front M6 screws **1** on both slide rails. While one person supports the front of the server by lifting it slightly, ensure that the slide-rail brackets are vertically aligned; then, fully tighten the front M6 screws on both slide rails.



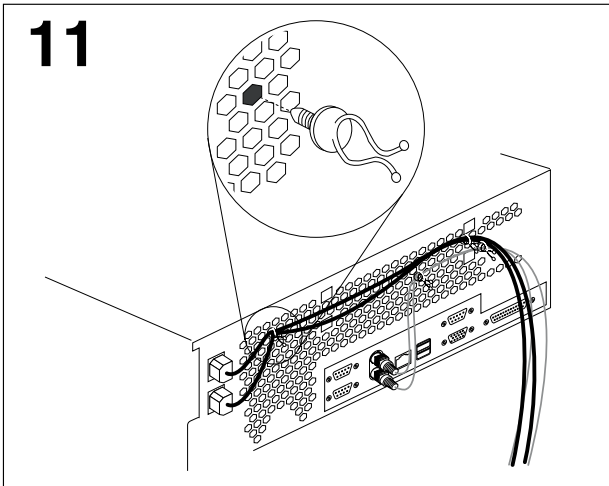
Use the hinge pin **1** to attach the cable-management arm **2** to the hinge bracket.

Note: To access the rear of the server, rotate the lever **3** to the vertical position and pull the arm away from the server. Otherwise, the lever must be in the horizontal position inside the rack cabinet to prevent the cables from touching the rack door.

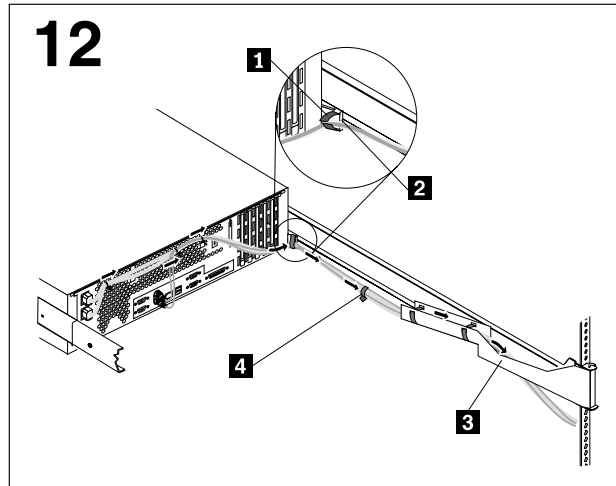


Use two M4 screws to install the cable-retainer bracket **1**; then, install the cable clamps **2** in the second row of holes as shown.

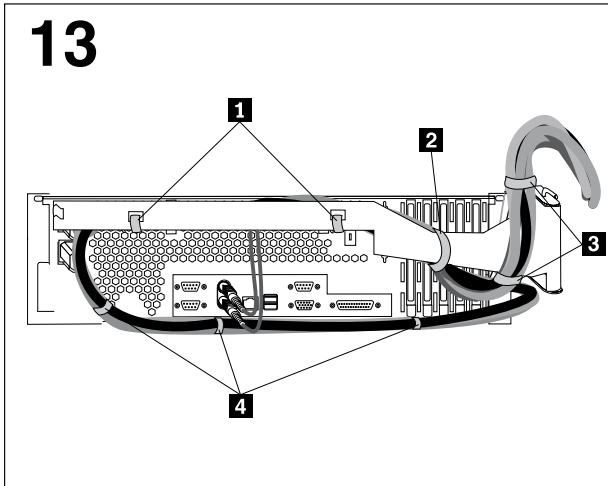
Use the square cut-outs on the server as a guide for installing the cable clamps. Install a clamp between the power connector and the cut-outs. Install a second clamp between the two sets of cut-outs. Install the third clamp at the last set of cut-outs.



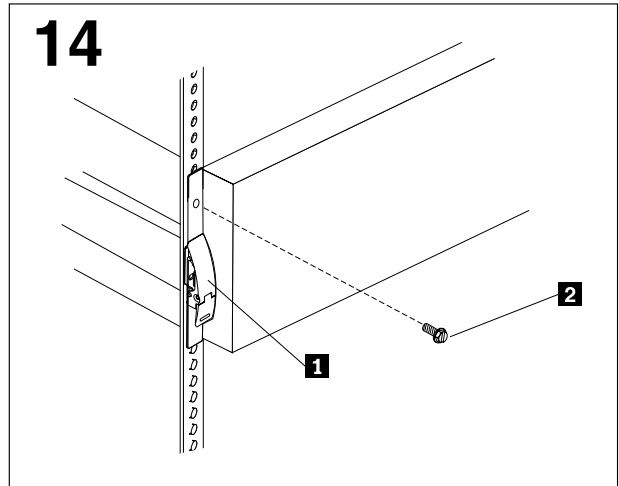
Attach the power, keyboard, mouse, and monitor cables (if required) to the rear of the server. Route the cables through the cable clamps; then, attach all other required cables to the server.



With the slide rails fully extended, attach the cables to the cable-retainer bracket **2**. Determine the length of cable needed between the server and the cable-management arm; then, route the cables through the cable-management arm **3**. Use cable straps to secure the cables to the bracket **1** and to each other **4**.



Use cable straps **1** to hold the cables in the cable-management arm. Secure the cables to the cable-management arm with a cable strap **2**. Route the cables under the right end of the arm; then, route them upward as shown and secure the cables with cable straps **3**. Secure the cables to each other as shown with cable straps **4**.



Slide the server into the rack cabinet until the release latches **1** lock into place.

Note: Insert the optional M6 screws **2** when moving the rack cabinet or if you install the rack cabinet in a vibration-prone area.

Store this information with your server documentation for future use.



Part Number: 32P0336
Printed in the U.S.A.